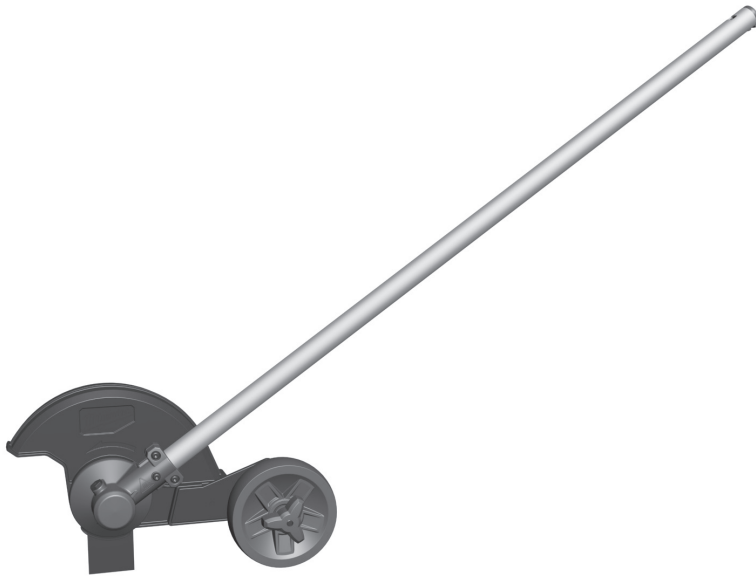


Milwaukee™

Nothing but **HEAVY DUTY™**



M18 FOPH-EA

User Manual

操作指南

操作指南

사용시 주의사항

คู่มือการใช้

Buku Petunjuk Pengguna

The illustration shows the application head M18 FOPH-EA connected to the Milwaukee powerbase M18 FOPH-0. This application head may only be operated in connection with the powerbase shown in this manual

圖示顯示連接到MILWAUKEE動力頭M18 FOPH-0的快拆配件M18 FOPH-EA。本快拆配件只能與本說明書中顯示的動力頭一起使用。

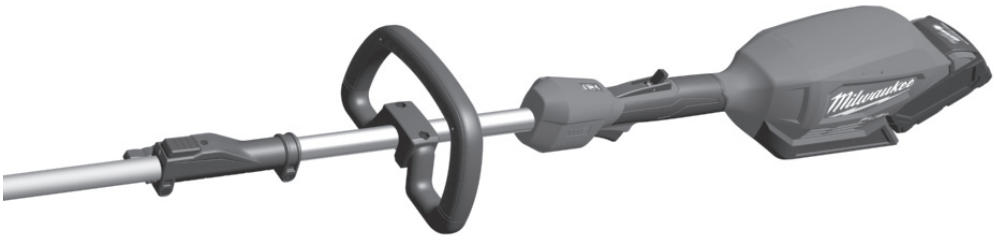
图示显示连接到美沃奇多功能主机M18 FOPH-0的应用头M18 FOPH-EA。本应用头只能与本说明书中显示的多功能主机一起使用。

다음 그림에는 MILWAUKEE 파워베이스 M18 FOPH-EA 에 연결된 애플리케이션 헤드 M18 FOPH-0가 제시되어 있습니다. 이 애플리케이션 헤드는 본 매뉴얼에 제시된 파워베이스와 연결되어 있는 상태에서만 조작할 수 있습니다.

ภาพประกอบแสดงหัวตัดรุ่น M18 FOPH-EA ที่เชื่อมต่อกับชุดส่งกำลัง MILWAUKEE รุ่น M18 FOPH-0 หัวตัดนี้จะทำงานเมื่อเชื่อมต่อกับชุดส่งกำลังตามที่แสดงไว้ในคู่มือนี้เท่านั้น

Gambar berikut menunjukkan head perangkat M18 FOPH-EA yang terhubung dengan powerbase MILWAUKEE M18 FOPH-0. Head perangkat ini hanya dapat dioperasikan saat terhubung dengan powerbase yang ditunjukkan dalam manual ini.







For the following instructions of the powerbase in connection with this application head please refer to the separate instructions for the power base

- connecting the application head with the powerbase
- turning on-off
- speed selection
- changing the battery

有關本快拆配件的動力頭的以下說明，請參閱動力頭的獨立說明。

- 連接快拆配件與動力頭
- 開/關
- 選擇速度
- 更換電池

有关本应用头的多功能主机的以下说明，请参阅多功能主机的独立说明。

- 连接应用头与多功能主机
- 开/关
- 选择速度
- 更换电池

이 애플리케이션 헤드와 함께 파워베이스에 대한 설명서 파워베이스를 위한 별도의 설명서를 참고하십시오.

- 애플리케이션 헤드와 파워베이스 연
- 전원 켜기/끄
- 속도 선
- 배터리 교

สำหรับคำแนะนำในการเชื่อมต่อชุดส่งกำลังกับหัวตัดนี้ ให้ดูที่คำแนะนำที่แยกส่วนกันสำหรับชุดส่งกำลัง

- การเชื่อมต่อหัวตัดเข้ากับชุดส่งกำลัง
- การเปิด/ปิดเครื่อง
- การเลือกความเร็ว
- การเปลี่ยนแบตเตอรี่

Untuk instruksi powerbase berikut terkait dengan head perangkat ini, lihat instruksi terpisah untuk powerbase.

- menghubungkan head perangkat dengan powerbase
- menyalakan-mematikan
- pilihan kecepatan
- mengganti baterai





Adjusting depth of cut

調整切割深度

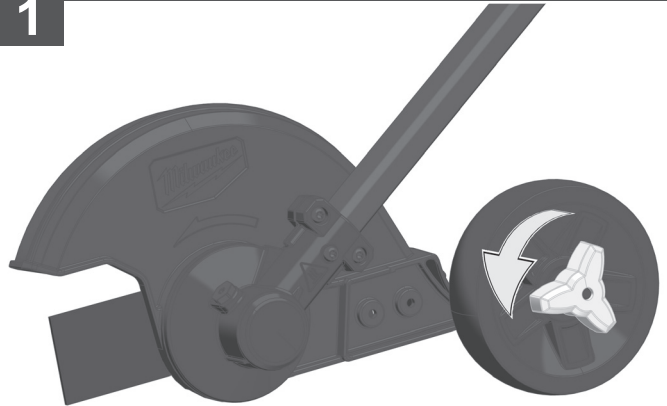
調整切割深度

절삭 깊이 조절

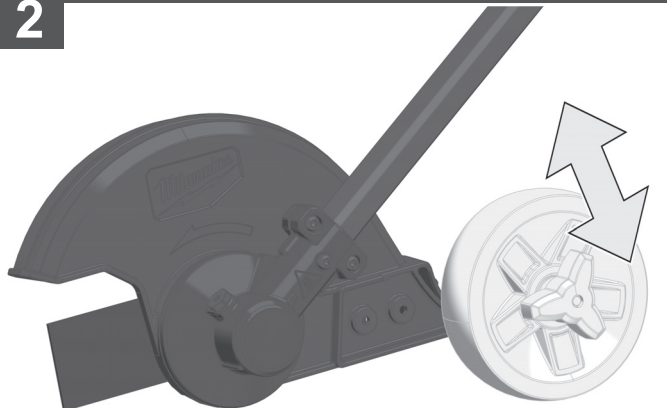
การปรับความลึกการตัด

Menyesuaikan kedalaman pemotongan

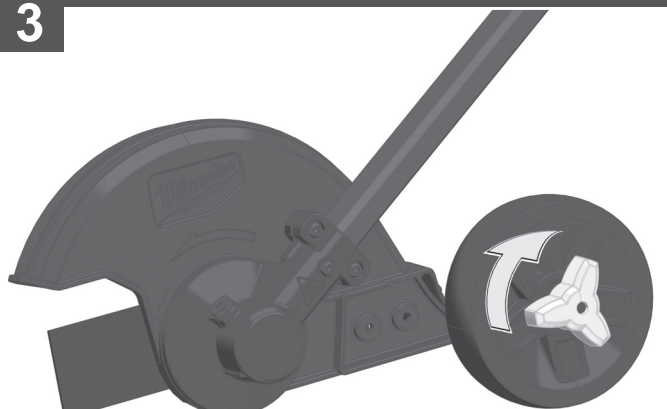
1



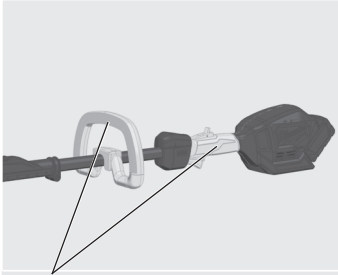
2



3



i TIP



Handle (insulated gripping surface)

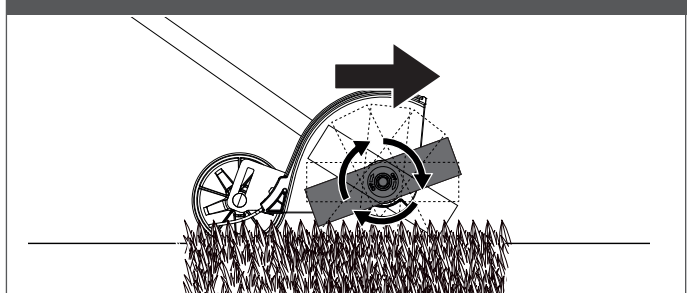
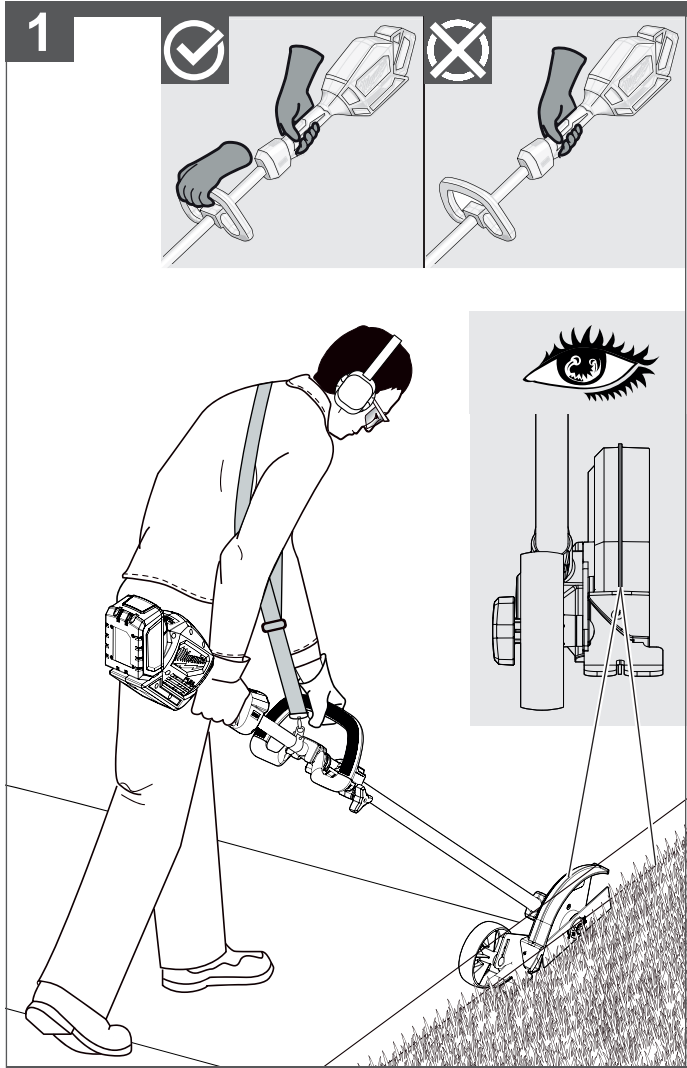
把手 (絶縁の握持表面)

把手 (絶縁の握持表面)

손잡이 (절연 그립 표면)

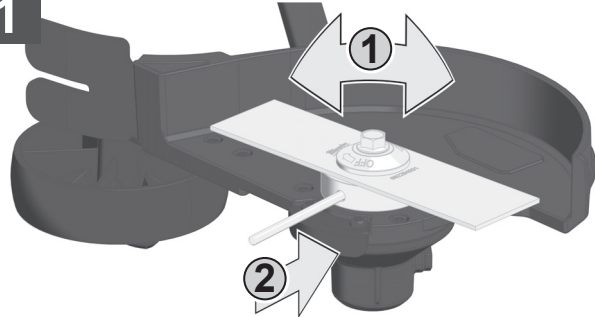
มือจับ (พื้นผิวจับกันความร้อน)

Gagang (permukaan genggam berinsulasi)

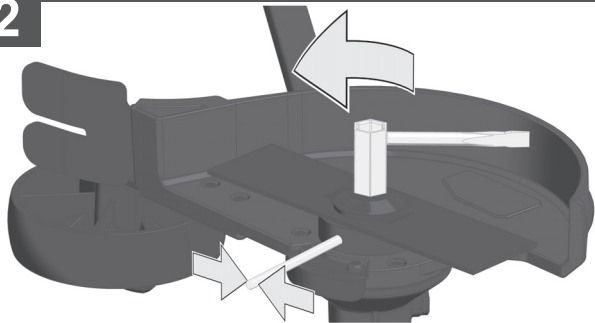




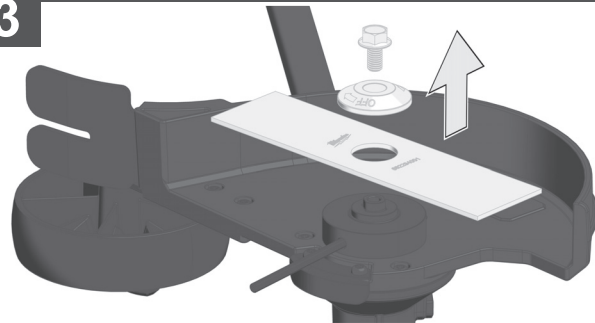
1



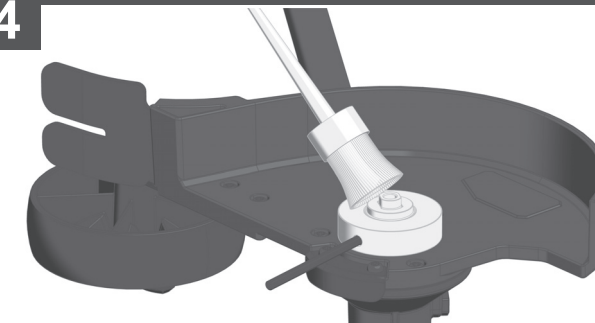
2

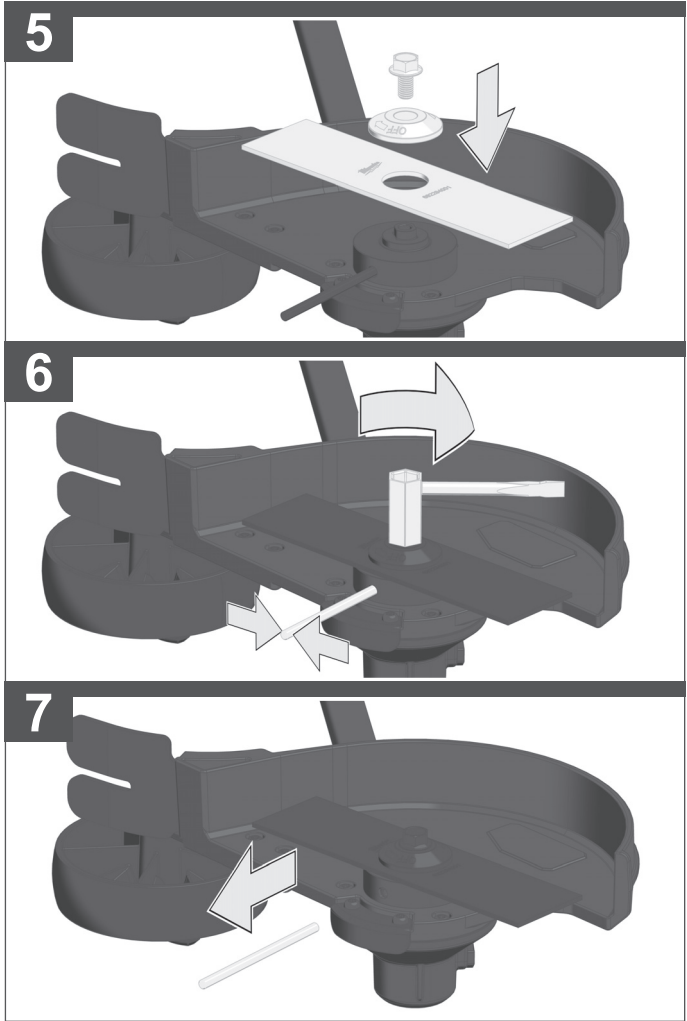


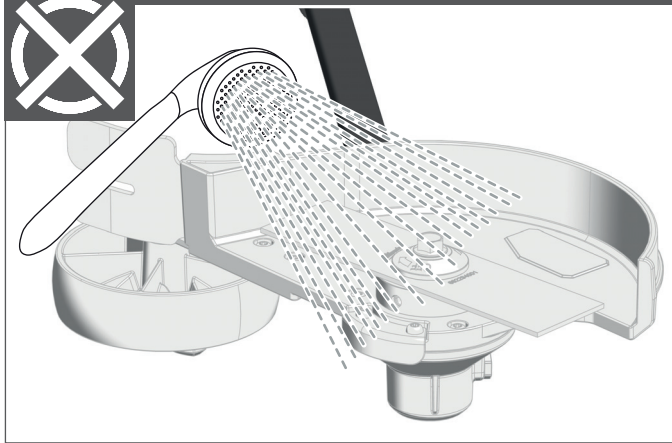
3



4

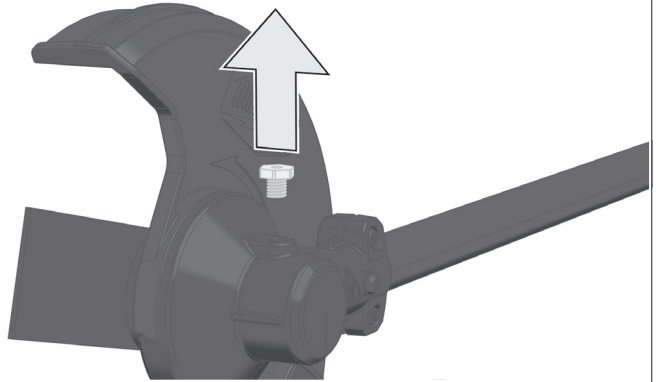








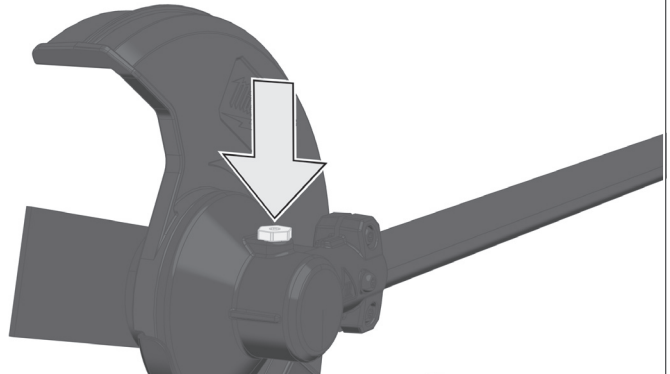
1



2



3



Grease

潤滑脂

潤滑脂

그리스

จารบี

Oli gemuk

TECHNICAL DATA**M18 FOPH-EA**

No-load speed, low speed	0–3000 min ⁻¹
No-load speed, high speed	0–3900 min ⁻¹
Blade diameter	203 mm
Maximum cutting capacity	50 mm
Battery voltage	18 V
Weight according EPTA-Procedure 01/2014 (9.0 Ah)	2.4 kg

Noise/vibration information

Measured values determined according to EN ISO 3744

Typically, the A-weighted noise levels of the tool are:

Sound pressure level (Uncertainty K=3 dB(A))	94 dB(A)
Sound power level (Uncertainty K=3 dB(A))	5 dB(A)

Wear ear protectors!

Total vibration values (vector sum in the three axes) determined according to EN ISO 3744

Vibration a_h	4.0 m/s ²
Uncertainty K	0.9 m/s ²

For technical data and list of powerbases that can be used for a particular application head, refer to the operating instructions of the application head.

WARNING

The vibration emission level given in this information sheet has been measured in accordance with a standardised test given in EN ISO 3744 / ISO 7574-4 and may be used to compare one product with another. It may be used for a preliminary assessment of exposure.

The declared vibration emission level represents the main applications of the product. However, if the product is used for different applications with different accessories or poorly maintained, the vibration emission may differ. This may significantly increase the exposure level over the total working period.

An estimation of the level of exposure to vibration should also take into account the times when the product is turned off or when it is running but not actually doing the job. This may significantly reduce the exposure level over the total working period.

Identify additional safety measures to protect the operator from the effects of vibration such as maintaining the product and the accessories, keeping the hands warm, and organisation of work patterns.

⚠ WARNING Read these instructions carefully, and be familiar with the controls and the proper use of the product. Save all warnings and instructions for future reference.

EDGER SAFETY WARNINGS**Training**

Read the instructions carefully. Be familiar with the controls and the proper use of the product.

Never allow children or people who are unfamiliar with these instructions to use the product. Local regulations may restrict the age of the operator.

Never edge while people, especially children, or pets are nearby.

Keep in mind that the operator or user is responsible for accidents or hazards occurring to other people or their property.

Preparation

While edging, always wear eye and ear protection, substantial footwear, and long trousers.

Thoroughly inspect the surface where the product is to be used

and remove all stones, sticks, wires, bones, and other foreign objects.

Before using, always visually inspect to see that the blade, blade bolts and cutter assembly are not worn or damaged. Replace worn or damaged blade and bolts in sets to preserve balance.

Use only manufacturer-recommended replacement parts and accessories.

Operation

Do not operate the engine in a confined space where dangerous carbon monoxide fumes can collect. Breathing exhaust fumes can be fatal.

Edge only in daylight or in good artificial light.

Always be sure of your footing on slopes.

Walk, never run.

Use extreme caution when reversing or pulling the product toward you.

Make sure that the blade has stopped before crossing surfaces other than grass and when transporting the product to and from the area to be edged.

Never operate the product with defective, missing, or incorrectly fitted guards.

Start the engine or turn on the motor carefully according to instructions and with feet well away from the blade.

Do not tilt the product when turning on the motor, unless the product has to be tilted for starting. In this case, do not tilt the product more than absolutely necessary and lift only the part which is away from the operator.

Do not turn on the product when a bystander is standing in front of the blade.

Do not put hands or feet near or under rotating parts.

Always turn off the product and remove the battery pack:

- before cleaning blockages
- before checking, cleaning, or working on the blade
- after striking a foreign object: inspect the blade for damage and make repairs before restarting and operating the product
- if product starts to vibrate abnormally (check immediately)
- whenever you leave the product

Maintenance and storage

Keep all nuts, bolts, and screws tight to be sure the product is in safe working conditions.

Allow the product to cool down before storing in any enclosure. Replace worn or damaged parts.

Do not attempt to repair the product unless you are competent to do so.

Use only manufacturer-recommended replacement parts and accessories.

ADDITIONAL SAFETY INSTRUCTIONS

Never allow children, persons with reduced physical, sensory, or mental capabilities or lack of experience and knowledge, or people unfamiliar with these instructions to use the product. Local regulations may restrict the age of the operator.

Remove the battery pack before starting any work on the product.

Do not dispose of used battery packs in the household refuse or by burning them. MILWAUKEE Distributors accept old batteries to protect our environment.

Do not store the battery pack together with metal objects (short circuit risk).

Use only M18 System chargers for charging M18 System battery packs. Do not use battery packs from other systems.

Battery acid may leak from damaged batteries under extreme load or extreme temperatures. In case of contact with battery acid, wash it off immediately with soap and water. In case of eye contact, rinse thoroughly for at least 10 minutes and immediately seek medical attention.

ADDITIONAL BATTERY SAFETY WARNINGS

⚠ WARNING! To reduce the risk of fire, personal injury, and product damage due to a short circuit, never immerse your product, battery pack, or charger in fluid or allow a fluid to flow inside them. Corrosive or conductive fluids, such as seawater, certain industrial chemicals, and bleach or bleach-containing products, etc., can cause a short circuit.

RESIDUAL RISKS

Even when the product is used as prescribed, it is still impossible to completely eliminate certain residual risk factors. The following hazards may arise during use, and the operator should pay special attention to avoid the following:

- Injury caused by vibration. Hold the product by designated handles and restrict working time and exposure.
- Exposure to noise can cause hearing injury. Wear ear protection and limit exposure.
- Injury due to flying debris. Wear eye protection, heavy long trousers, gloves and substantial footwear at all times.

SPECIFIED CONDITIONS OF USE

The product is intended only for outdoor use by a standing operator.

The product is designed for edging along hard surfaces, such as sidewalks, driveways, flower beds, curbs, and similar areas.

Do not use the product on or near gravel surfaces.

The cutting plane should be approximately parallel to the ground surface when trimming.

The product should not be used to cut or trim hedges, bushes, or other vegetation where the cutting plane is not at or about ground surface level.

Do not use this product in any other way as stated for normal use.

OPERATION

Avoid edging in wet soil/grass. The blade guard may clog and cause unexpected results. If the blade guard becomes clogged, stop the product, remove the battery pack, and clean debris from the blade guard.

Grasp the product firmly with your right hand on the rear handle and your left hand on the front handle. Always stand behind the guard. Hold the product in a comfortable position with the rear handle about hip height.

Slide the product along the surface, taking care to avoid contact with hard objects. Use the blade ridge to align the blade with the edging surface.

Push the product at a steady pace. If the blade begins to bog down, slow the cutting pace. Do not force the blade into the ground.

BATTERIES

Battery packs that have not been used for some time should be recharged before use.

Temperatures in excess of 50°C (122°F) reduce the performance of the battery pack. Avoid extended exposure to heat or sunshine (risk of overheating).

The contacts of chargers and battery packs must be kept clean.

For an optimum lifetime, the battery packs have to be fully charged after use.

To obtain the longest possible battery life, remove the battery pack from the charger once it is fully charged.

For battery pack storage longer than 30 days:

- Store the battery pack where the temperature is below 27°C and away from moisture.
- Store the battery packs in a 30% - 50% charged condition.
- Every six months of storage, charge the pack as normal.

BATTERY PACK PROTECTION

The battery pack has an overload protection that protects it from being overloaded and helps to ensure long life.

Under extreme stress, the battery electronics turn off the product automatically. To restart, turn the product off and then on again. If the product does not start up again, the battery pack may have discharged completely. In this case, recharge the battery pack.

TRANSPORTING LITHIUM BATTERIES

Lithium-ion batteries are subject to the Dangerous Goods Legislation requirements.

Transportation of those batteries has to be done in accordance with local, national and international provisions and regulations.

- The user can transport the batteries by road without further requirements.
- Commercial transport of lithium-ion batteries by third parties is subject to Dangerous Goods regulations. Transport preparation and transport are exclusively to be carried out by appropriately trained persons and the process has to be accompanied by corresponding experts.

When transporting battery packs:

- Ensure that battery contact terminals are protected and insulated to prevent short circuit.
- Ensure that battery pack is secured against movement within packaging.
- Do not transport battery packs that are cracked or leaking.

Check with forwarding company for further advice

MAINTENANCE

The ventilation slots of the product must be kept clear at all times.

Servicing requires extreme care and knowledge and should be performed only by a qualified service technician. Have the product serviced by an authorised service centre only. When servicing, use only original replacement parts.

Turn off and remove battery pack before conducting any maintenance or cleaning work.

You may make adjustments and repairs described in this manual. For other repairs, contact the authorised service centre.

After each use, clean the product with a soft, dry cloth. Any part that is damaged should be properly repaired or replaced by an authorised service centre.

Check all nuts, bolts, and screws at frequent intervals for proper tightness to ensure the product is in safe working condition.

Use only MILWAUKEE accessories and spare parts. Should components that have not been described need to be replaced, Contact one of our MILWAUKEE service centres (see our list of guarantee/service addresses).

If needed, an exploded view of the product can be ordered. State the product type printed as well as the ten-digit number on the label and order the drawing at your local service centre.

SYMBOLS



CAUTION! WARNING! DANGER!



Read the instructions carefully before starting the product.



Remove the battery pack before starting any work on the product.



Wear ear protectors!
Always wear goggles when using the product.



Wear gloves!



Always wear protective clothing and footwear.



Keep bystanders a safe distance away from the product.



Rotating cutting blade



Thrown objects



Direction of product blade rotation



Do not use or leave the product in the rain.



DANGER! Avoid blade contact during use.



The guaranteed sound power level shown on this label is 96 dB(A).



Do not dispose of electric tools, battery packs together with household waste material. Electric tools and batteries that have reached the end of their life must be collected separately and returned to an environmentally compatible recycling facility. Check with your local authority or retailer for recycling advice and collection point.

n_0

Stroke rate under no-load

V

Volts



Direct current

技術數據

M18 FOPH-EA

無負載轉速，低速	0 - 3000 min ⁻¹
無負載轉速，高速	0 - 3900 min ⁻¹
刀片直徑	203 mm
最大的切割容量	50 mm
電池電壓	18 V
根據EPTA-Procedure 01/2014的重量 (9.0 Ah)	2.4 kg

噪音/振動資訊

依 EN ISO 3744 所測的測量值。

一般來說，本工具的A加權噪音標準為：

聲壓值 (不確定性的測量 K=3 dB (A))	94 dB (A)
聲功率級 (不確定性的測量 K=3 dB (A))	5 dB (A)

佩戴防護耳器。

依EN ISO 3744所測的振動總值 (三軸向量總和)

振動值 a_n	4.0 m/s ²
不確定性的測量 K	0.9 m/s ²

請參閱快拆配件的操作說明，以取得技術數據及對應特定快拆配件的動力頭列表。

警告！

本說明書所提供的振動等級是依EN ISO 3744 / ISO 7574-4規定的標準化測試所測得，且可能用於與另一個工具進行比較。該等級可用來初步評估風險。

宣告的振動釋放等級代表的是本產品的主要應用。然而，如果產品用於不同的應用、使用不同的配件或保養不當，振動釋放也可能不同。這可能會在總工作時間上顯著增加風險等級。

評估振動暴露的等級還應考慮本工具關機時的時間，或當工具運轉但卻未實際使用的時間。這可能會明顯降低總工作期間的風險等級。

請確認額外的安全措施，以保護操作員不受振動的影響，例如：保養產品與配件、保持手部溫暖和井然有序的工作方式。

警告！ 請仔細閱讀這些說明，熟悉控制及產品的正確使用。保存所有警告及說明以備將來參考。

草坪修邊機安全警告**訓練**

請仔細閱讀說明。熟悉控制和正確使用產品的方法。

切勿讓小孩或不熟悉說明的人員使用本產品。當地法規可能會限制操作員的年齡。

當人們（尤其是兒童或者寵物）在附近時，切勿操作本產品。

請緊記如對其他人或其所有物造成意外或危險，操作者或使用人須為此負責。

準備

當操作時，務必佩戴防護眼鏡，重型長褲、手套及結實的鞋類。

徹底檢查產品使用的表面，並清除所有石塊、木棒、電線、骨頭及其他異物。

使用前，請務必目視檢查刀片、刀片螺栓及刀具組件是否磨損或損壞。更換磨損或損壞的刀片和螺栓，以保持平衡。

僅使用製造商推薦的更換零件及配件。

操作

切勿在危險的一氧化碳煙霧可以收集的密閉空間內操作發動機。呼吸廢氣可能是致命的。

只在白天或良好的人造光下操作產品。

務必確保站穩於斜坡上。

只可步行，不要奔跑。

切割灌木及樹苗時要特別小心。

在穿過其他除草之外的表面、從修邊的區域運輸產品、運輸產品到修邊的區域之前，請確保刀片已經停止。

切勿有缺陷、缺失或安裝不正確的防護裝置的情況下操作本產品。

根據說明小心地啟動發動機或啟動電動機，並使腳遠離刀片。

除了產品有需要，否則切勿讓產品傾斜下啟動。在這種情況下，切勿讓產品傾斜超過必要的範圍，並僅抬起該部件遠離操作員。

當旁觀者站在刀片前面，切勿啟動產品。

切勿讓手或腳接近及置於轉動的部件下。

務必關掉產品並取出電池組：

- 在清理堵塞之前
- 在檢查、清潔或操作刀片之前
- 撞擊異物後：檢查刀片是否損壞，並在重新啟動及操作產品前進行維修
- 如果產品開始異常振動（立即檢查）
- 每當您留下產品時。

維修及存放

所有螺母、螺栓及螺釘保持緊固，以確保產品處於安全的工作狀態。

在存放到任何外殼之前，讓產品冷卻。

更換磨損或損壞的部件以確保安全。

除非您有能力，否則請勿嘗試修理產品。

僅使用製造商建議的更換部件和配件。

附加的安全說明

不要讓兒童、身體、感覺或精神能力下降的人員或缺乏經驗及知識的人，或不熟悉這些指示的人使用產品。當地法規可能會限制操作員的年齡。

在產品上開始任何工作之前，請先取出電池組。

勿將用過的電池組與家庭廢棄物混合或燃燒電池。MILWAUKEE 經銷商將接受舊電池以保護環境。

勿將電池組與其他金屬物品一起存放（可能引起短路）。

僅可使用M18系統充電器對M18系統電池進行充電。請勿使用其他系統的電池。

在極端負載或極端溫度下，損壞的電池可能漏出內部酸液。若接觸到電池酸液，請即刻用肥皂與清水洗去。若酸液接觸到眼睛，以清水沖洗至少10分鐘後立即就醫。

附加電池安全警告

⚠ 警告！為了減少因短路而導致火災、人身傷害和產品損壞的風險，請勿將產品、電池組或充電器浸沒在流體中或使流體流入其中。腐蝕性或導電性流體（如海水、某些工業化學品、以及漂白劑或含漂白劑的產品等）都會導致短路。

殘餘風險

即便已按規定使用產品，仍然不能完全消除某些殘留的風險因素。可能會引起以下危險，操作人員應特別注意以避免發生以下情況：

- 可能因振動造成的傷害。用指定的手柄握住產品，並限制工作時間及暴露。
- 因接觸噪聲導致聽力傷害。佩戴耳罩和限制暴露於噪音中。
- 因工作拋出的碎屑導致的傷害。務必佩戴防護眼鏡，重型長褲、手套及結實的鞋類。

特定使用條件

本產品僅供常規操作員在戶外使用。

本產品設計用於沿著堅硬的表面進行修邊，例如行人道、車道、花壇、路緣石及類似區域。

請勿在礫石表面上或附近使用本產品。

修剪時，切割平面應接近平行於地面。

產品不應用於切割或修剪樹籬、灌木或其他不在或接近地面的植被。

切勿將本產品用於正常使用之外的其他用途。

操作

避免在潮濕的土壤/草地上磨邊。刀片防護罩可能會堵塞並導致意外結果。如果刀片防護罩堵塞，請停止產品，取下電池組，並清除刀片防護罩上的碎屑。

用右手握住後把手，左手握住前把手，牢牢抓住產品。務必站在保護罩的後面。將產品保持在舒適的位置，側把手約為臀部高度。

沿著表面移動產品，注意避免接觸硬物。使用刀片脊將刀片與磨邊表面對齊。

以穩定的速度推動產品。如果刀片開始陷入困境，請減慢切割速度。不要將刀片強行插入地面。

電池

久未使用的電池必須重新充電後再使用。

超過 50°C (122°F) 的高溫會降低電池的效能。避免暴露於高溫或陽光下(可能導致過熱)。

充電器和電池組的接點處應保持清潔。

為確保最佳電池使用壽命，電池組使用後應再完全充電。

為確保電池的最長壽命，充電完成後，勿將電池匣繼續留在充電器上。

電池儲存時間長於30日：

- 將電池組存放於溫度低於27°C的環境，且避免受潮。
- 將電池組保持在充電量30%-50%的狀態。
- 存放中的電池組應每六個月照常充電一次。

電池保護

電池有過載保護系統，防止過載及確保長的電池壽命。

在極端的壓力下，電池電子設備會自動關閉產品。關閉及啟動本產品，以重新啟動。如果產品未能重新啟動，電池可能已經完全地放電。在這種情況下，請為電池組充電。

運輸鋰電池

鋰電池須受制於危險品法例的要求。

運送鋰電池必須在符合當地、國家及國際標準及法例的情況下進行。

- 使用者可於陸地上運送電池而毋須受限。
- 第三方負責的商業式鋰電池運送須受制於危險品法例。運送的預備及過程必須由受嚴格訓練的人士進行，亦必須得到專家到場監管。

運輸電池組時：

- 請確保電池接觸終端受到嚴密保護及經過絕緣，防止短路。
- 請確保電池組妥善包裝，防止碰撞磨擦。
- 請勿運輸破裂或洩漏的電池組。

與貨運公司緊密聯繫以獲得進一步資訊。

維護

偶爾用柔軟乾燥的刷子清潔通風槽。

維修需要極其謹慎和知識，應僅由合格的維修技術人員執行。只能由授權的服務中心維修產品。維修時，只能使用原裝備件。

在進行任何維護或清潔工作之前，請關掉產品並取出電池組。

您可以進行在此描述的調整和修理。如需其他維修服務，請聯繫授權服務代理。

每次使用後，用柔軟的乾布清潔產品。損壞的部件應妥善維修或由MILWAUKEE維修站更換。

經常檢查所有螺母、螺栓和螺釘是否緊固，以確保產品處於安全工作狀態。

只能使用 MILWAUKEE 配件和備件。有關合適的噴霧產品的信息，請與其中一個MILWAUKEE服務代理機構聯繫（參見我們的維修/服務地址列表）。

如果需要，可以索取產品的分解圖。諮詢案件時，請您向當地的顧客服務中心提供以下資料：銘牌上的產品序列號及機型。

符號



注意！警告！危險！



啟動產品前，請仔細閱讀本說明。



在產品上開始任何工作之前，請先取出電池組。



佩戴護耳器。
使用本產品時務必佩戴護目鏡。



佩戴手套。



務必穿著防護服和鞋類。



旁觀者跟產品須保持安全距離。



旋轉切割刀片



拋出的物體



產品刀片旋轉方向



請勿在雨中使用或丟棄產品。



危險！使用過程中避免接觸刀片。



此標籤上顯示認證的聲壓率級為96 dB。



不要將電動工具與家庭垃圾材料一起處置。
當電動工具和電池達到使用壽命時，必須單獨收集，並送至環保回收機構。請與當地相關部門或經銷商聯繫，了解回收建議和收集地點。

n_0

在無負載轉速下的衝擊頻率

V

伏特



直流電

无负载转速，低速	0 - 3000 min ⁻¹
无负载转速，高速	0 - 3900 min ⁻¹
刀片直径	203 mm
最大的切割容量	50 mm
电池电压	18 V
根据EPTA-Procedure 01/2014的重量(9.0 Ah)	2.4 kg

噪音/振动信息

根据 EN ISO 3744 条文确定的测量值。

器械的标准A-值噪音级为：

声压值(不确定性的测量 K=3 dB(A))	94 dB(A)
声功率值(不确定性的测量 K=3 dB(A))	5 dB(A)

佩戴护耳器。

依欧盟EN ISO 3744 标准确定的振动总值（三方向矢量和）。

振动值 a_h	4.0 m/s ²
不确定性的测量 K=	0.9 m/s ²

请参阅应用头的操作说明，以取得技术数据及对应特定应用头的多功能主机列表。

警告！

本规程列出的依欧盟EN ISO 3744 / ISO 7574-4 标准测量方法测量的振动级也可用于电动工具比较并适合于临时振动负荷估计。该等级可用来初步评估风险。

该振动级代表产品的主要应用。电动工具的其他应用，不正确的工具附件或缺乏维护可造成振动级偏差。此可明显提高工作期间的振动程度。

正确地估计一定工作期间的振动程度也要考虑到产品关闭或接通而不使用的期间。此可明确减少总工作期间的振动程度。

为提高操作人员对振动作用的保护得规定补充安全措施：产品及工具附件的维护、温手、工作过程组织等。

⚠ 警告！ 请仔细阅读这些说明，熟悉控制及产品的正确使用。保存所有警告和说明书以备查阅。

修边机安全警告

训练

请仔细阅读说明。熟悉控制和正确使用产品的方法。

切勿让小孩或不熟悉说明的人员使用本产品。当地法规可能会限制操作员的年龄。

当人们（尤其是儿童或者宠物）在附近时，切勿操作本产品。

请牢记如其他人或其所有物造成意外或危险，操作者或使用须为此负责。

准备

当操作时，务必佩戴防护眼镜，重型长裤、手套及结实的鞋类。

彻底检查产品使用的表面，并清除所有石块、木棒、电线、骨头及其他异物。

使用前，请务必目视检查刀片、刀片螺栓及刀具组件是否磨损或损坏。更换磨损或损坏的刀片和螺栓，以保持平衡。

仅使用制造商推荐的更换零件及配件。

操作

只在白天或良好的人造光下操作产品。

务必确保站稳于斜坡上。

只可步行，不要奔跑。

切割灌木及树苗时要特别小心。

在穿过其他除草之外的表面、从修边的区域运输产品、运输产品到修边的区域之前，请确保刀片已经停止。

切勿有缺陷、缺失或安装不正确的防护装置的情况下操作本产品。

根据说明小心地启动发动机或启动电动机，并使脚远离刀片。

除了产品有需要，否则切勿让产品倾斜下启动。在这种情况下，切勿让产品倾斜超过必要的范围，并仅抬起该部件远离操作员。

当旁观者站在刀片前面，切勿启动产品。

切勿让手或脚接近及置于转动的部件下。

务必关掉产品并取出电池组：

- 在清理堵塞之前
- 在检查、清洁或操作刀片之前
- 撞击异物后：检查刀片是否损坏，并在重新启动及操作产品前进行维修
- 如果产品开始异常振动（立即检查）
- 每当您留下产品时。

维修及存放

所有螺母、螺栓及螺钉保持紧固，以确保产品处于安全的工作状态。

在存放到任何外壳之前，让产品冷却。
更换磨损或损坏的部件以确保安全。
除非您有能力，否则请勿尝试修理产品。
仅使用制造商建议的更换部件和配件。

附加的安全说明

不要让儿童、身体、感觉或精神能力下降的人员或缺乏经验及知识的人，或不熟悉这些指示的人使用产品。当地法规可能会限制操作员的年龄。

在产品上开始任何工作之前，请先取出电池组。

勿将用过的电池组与家庭废弃物混合或燃烧电池。美沃奇经销商将接受旧电池以保护环境。

勿将电池组与其他金属物品一起存放（可能引起短路）。

仅可使用M18系统充电器对M18系统电池进行充电。请勿使用其他系统的电池。

在极端负载或极端温度下，损坏的电池可能漏出内部酸液。若碰到电池酸液，请即刻用肥皂与清水洗去。若酸液接触到眼睛，以清水冲洗至少10分钟后立即就医。

附加电池安全警告

⚠ 警告！为了减少因短路而导致火灾、人身伤害和产品损坏的风险，请勿将产品、电池组或充电器浸没在流体中或使流体流入其中。腐蚀性或导电性流体（如海水、某些工业化学品、以及漂白剂或含漂白剂的产品等）都会导致短路。

残余风险

即便已按规定使用产品，仍然不可能完全消除某些残留的风险因素。可能会引起以下危险，操作人员应特别注意以避免发生以下情况：

- 可能因振动造成的伤害。用指定的手柄握住产品，并限制工作时间及暴露。
- 因接触噪声导致听力伤害。佩戴耳罩和限制暴露于噪音中。
- 因工作抛出的碎屑导致的伤害。务必佩戴防护眼镜，重型长裤、手套及结实的鞋类。

指定的使用条件

该产品仅供常规操作员在户外使用。

该产品设计用于沿着坚硬的表面进行修边，例如人行道、车道、花坛、路缘石及类似区域。

请勿在砾石表面上或附近使用本产品。

修剪时，切割平面应与地面大致平行。

该产品不应用于切割或修剪树篱，灌木或其他植被，其中切割平面不在地面或地面附近。

请勿以正常使用的任何其他方式使用本产品。

操作

避免在潮湿的土壤/草地上磨边。刀片防护罩可能会堵塞并导致意外结果。如果刀片防护罩堵塞，请停止产品，取下电池组，并清除刀片防护罩上的碎屑。

用右手握住后把手，左手握住前把手，牢牢抓住产品。务必站在保护罩的后面。将产品保持在舒适的位置，侧把手约为臀部高度。

沿着表面移动产品，注意避免接触硬物。使用刀片脊将刀片与磨边表面对齐。

以稳定的速度推动产品。如果刀片开始陷入困境，请减慢切割速度。不要将刀片强行插入地面。

电池

久未使用的电池必须重新充电后再使用。

超过 50° C (122° F) 的高温会降低电池的效能。避免暴露于高温或阳光下(可能导致过热)。

充电器和电池组的接点处应保持清洁。

为确保最佳电池使用寿命，电池组使用后应再完全充电。

为确保电池的最长寿命，充电完成后，勿将电池继续留在充电器上。

电池储存时间大于30日：

- 将电池组存放于温度低于27° C的环境，且避免受潮。
- 将电池组保持在充电量30%-50%的状态。
- 存放中的电池组应每六个月照常充电一次。

电池保护

电池有过载保护系统，防止过载及确保长的电池寿命。

在极端的压力下，电池电子设备会自动关闭产品。关闭及启动本产品，以重新启动。如果产品未能重新启动，电池可能已经完全地放电。在这种情况下，请为电池组充电。

运输锂电池

锂电池须受制于危险品法例的要求。

运送锂电池必须在符合当地、国家及国际标准及法例的情况下进行。

- 使用者可于陆地上运送电池而毋须受限。
- 第三方负责的商业式锂电池运送须受制于危险品法例。运送的预备及过程必须由受严格训练的人士进行，亦必须得到专家在场监管。

运输电池组时：

- 请确保电池接触终端受到严密保护及经过绝缘，防止短路。
- 请确保电池组妥善包装，防止碰撞摩擦。
- 请勿运输破裂或泄漏的电池组。

与货运公司紧密联系以获得进一步资讯。

维护

偶尔用柔软干燥的刷子清洁通风槽。

维修需要极其谨慎和知识，应仅由合格的维修技术人员执行。只能由授权的服务中心维修产品。维修时，只能使用原装备件。

在进行任何维护或清洁工作之前，请关掉产品并取出电池组。

您可以进行在此描述的调整和修理。如需其他维修服务，请联系授权服务代理。

每次使用后，用柔软的干布清洁产品。损坏的部件应妥善维修或由美沃奇维修站更换。

经常检查所有螺母、螺栓和螺钉是否紧固，以确保产品处于安全工作状态。

只能使用美沃奇 配件和备件。有关合适的喷雾产品的信息，请与其中一个美沃奇服务代理机构联系（参见我们的维修/服务地址列表）。

如果需要，可以索取产品的分解图。咨询案件时，请您向当地的顾客服务中心提供以下资料：铭牌上的产品序列号及机型。

符号



注意！警告！危险！



启动产品前，请仔细阅读本说明。



在产品上开始任何工作之前，请先取出电池组。



佩戴护耳器。
使用本产品时务必佩戴护目镜。



佩戴手套。



务必穿着防护服和鞋类。



旁观者跟产品须保持安全距离。



旋转切割刀片



抛出的物体



产品刀片旋转方向



请勿在雨中使用或丢弃产品。



危险！使用过程中避免接触刀片。



此标签上显示认证的声压率级为96 dB。



不要将电动工具与家庭垃圾材料一起处置。
当电动工具和电池达到使用寿命时，必须单独收集，并送至环保回收机构。请与当地相关部门或经销商联系，了解回收建议和收集地点。

n_0

在无负载转速下的冲击频率

V

伏特



直流电

무부하 속도 (저속)	0-3000 min ⁻¹
무부하 속도 (고속)	0-3900 min ⁻¹
블레이드 직경	203 mm
최대 절단 용량	50 mm
배터리 전압	18 V
EPTA 규정 01/2014에 따른 중량 (리튬-이온 9.0 Ah)	2.4 kg

소음/진동 정보

EN ISO 3744에 따라 판별한 측정 값.

일반적인 톨의 A-가중 소음 레벨:

음압 레벨(불확정 K=3dB(A))	94 dB(A)
음향 파워 레벨(불확정 K=3dB(A))	5 dB(A)

귀마개를 착용하십시오!

EN ISO 3744에 따라 판별한 전체 진동 값(3개 축의 벡터 합계).

진동 (a_w)	4.0 m/s ²
불확정성 K	0.9 m/s ²

특정 애플리케이션 헤드에 사용 가능한 기술 데이터 및 파워베이스 목록은 애플리케이션 헤드 작동 지침을 참조하십시오.

경고!

본 정보 시트에 제공되어 있는 진동 배출 레벨은 EN ISO 3744 / ISO 7574-4에 제공된 표준 시험 절차에 따라 측정되었으며 이를 사용하여 제품을 서로 비교할 수 있습니다. 예비 노출 평가에 이를 사용할 수도 있습니다.

제시된 진동 배출 레벨은 제품에 가해진 주요 진동을 나타냅니다. 하지만 다른 부속품이 있거나 적절히 유지 관리되지 않은 다른 응용 기기에 제품을 사용할 경우, 진동 배출이 다를 수 있습니다. 이는 전체 작동 시간 동안 노출 레벨을 상당히 증가시킬 수 있습니다.

진동 노출 추정 레벨은 제품 전원 차단 시점 또는 제품이 작동하지만 실제로 작업을 수행하지 않을 때 횡수로 고려합니다. 이는 전체 작동 시간 동안 노출 레벨을 상당히 감소시킬 수 있습니다.

추가적인 안전 조치를 파악하여 제품 및 부속품을 유지 관리, 손을 따뜻하게 유지 및 작업 패턴 구성 등 진동 효과로부터 작업자를 보호하십시오.

A 경고 이 지시사항을 주의하여 읽고 제품 제어 및 올바른 사용 방법에 익숙해져야 합니다. 향후 참조할 수 있도록 경고 문구와 설명서를 잘 보관해 두십시오.

가장자리 톨 안전 주의사항

교육

설명서를 자세히 읽어 제품의 올바른 사용법을 숙지하십시오. 어린이 또는 사용법을 숙지하지 않은 사람은 제품을 사용하지 않도록 하십시오. 현지 규정에 따라 작업자의 연령이 제한될 수 있습니다.

사람, 특히 어린이 또는 애완동물이 근처에 있을 때 가장자리 톨 작업을 수행하지 마십시오.

다른 사람이나 재산에 대해 발생할 수 있는 사고나 위험에 대한 책임은 작업자나 사용자에게 있음을 명심하십시오.

준비

작업할 때, 보안경, 귀마개, 안전화, 긴 바지를 착용하십시오.

제품을 사용하는 표면을 철저히 검사하고 모든 돌, 막대, 전선, 뼈, 그리고 다른 이물질들을 제거하십시오.

사용하기 전에 항상 육안으로 검사하여 블레이드, 블레이드 볼트 및 절삭기 어셈블리가 마모되거나 손상되지 않았는지 확인합니다. 균형을 유지하도록 마모되거나 손상된 블레이드와 볼트를 스트럿에 다시 위치시킵니다.

제조업체가 권장하는 교체 부품 및 액세서리만 사용하십시오. 작동

위험한 일산화탄소 기체가 수집될 수 있는 밀폐된 공간에서 엔진을 조작하지 마십시오. 배기 기체를 흡입하면 치명상을 초래할 수 있습니다.

주간이나 인공 조명이 양호한 조건에서만 장비를 사용하십시오.

항상 당신이 경사진 곳에 발을 디디고 있는지 확인하십시오.

뛰지 말고, 걸으세요.

제품이 작업자 방향을 향해 돌리거나 당길 때 세심한 주의를 기울이십시오.

잔디 이외의 표면을 교차하기 전 또는 가장자리 작업을 수행할 구역 앞, 뒤로 제품을 이송할 때 블레이드가 멈추는지 확인하십시오.

결합, 누락 또는 부적절하게 결합된 가이드가 있는 제품을 조작하지 마십시오.

지시사항에 따라 블레이드에서 떨어진 상태에서 주의를 기울여 엔진을 시동하거나 모터를 켜십시오.

제품이 시동을 위해 기울어지지 않을 경우, 모터에서 회전할 때 제품을 기울이지 마십시오. 이 경우, 절대적으로 필요한 것 이상으로 제품을 기울이지 않고 작업자와 부품이 떨어진 경우에만 들어 올립니다.

블레이드 앞에 사람이 서 있을 때 제품을 작동하지 마십시오. 손이나 다리를 회전하는 부품 근처 혹은 아래에 두지 마십시오. 항상 제품을 끄고 배터리 팩을 다음과 같이 분리하십시오:

- 차단부를 청소하기 전
- 테이블에서 점검 또는 청소하거나 장비에 대한 작업을 수행하기 전
- 이물질이 빠낸 후: 블레이드가 손상되어 있는지 검사하고 제품을 재시동 및 조작하기 전에 수리하십시오.
- 제품이 비정상적으로 진동할 때(즉시 점검)
- 제품을 방치할 때마다

유지 관리 및 보관

기계가 안전한 작업 상태에 있도록 모든 너트, 볼트, 스크류를 꼭 조인 상태로 유지하십시오.

제품의 열을 충분히 식힌 후에 보관하십시오.

마모되거나 손상된 부품은 교체하십시오.

자격을 갖추고 있지 않은 한 제품을 수리하려고 시도하지 마십시오.

제조업체가 권장하는 교체 부품 및 액세서리만 사용하십시오.

추가 안전 지침

어린이, 신체, 충동 장애 또는 정신 질환이 있거나 경험과 지식이 부족한 개인 또는 장비 사용 방법을 모르는 개인은 이 전동 공구를 사용할 수 없습니다. 현지 규정에 따라 작업자의 연령이 제한될 수 있습니다.

제품에서 어떠한 작업을 시작하기 전에 배터리 팩을 제거하십시오.

사용된 배터리 팩을 가정용 쓰레기와 함께 폐기하거나, 태우지 마십시오. 밀워키는 환경 보호를 위해 오래된 배터리 팩을 회수하는 것을 권장합니다.

배터리 팩을 금속 물체와 함께 보관하지 마십시오(단락 회로 위험).

System M18 배터리 팩을 충전하려면 System M18 충전기만 사용하십시오. 다른 시스템의 배터리 팩을 사용하지 마십시오. 극심한 부하 또는 극심한 온도 조건에서 손상된 배터리로부터 배터리 잔이 누출될 수 있습니다. 배터리 산과 접촉한 경우, 비누물로 즉시 세척하십시오. 눈과 접촉할 경우, 최소 10분 동안 철저히 세정한 후 즉각적인 의료 조치를 취하십시오.

추가 배터리 안전 주의 사항

A 경고! 단락 회로로 인한 화재, 작업자 부상 및 제품 손상 위험을 줄이려면 툴, 배터리 팩 또는 충전기를 유체에 침수시키거나 유체가 내부로 흘러들어가지 않도록 해야 합니다. 해수, 특정한 산업용 화학 물질 및 표백제 또는 표백제 함유 제품 같은 부식성 또는 전도성 유체 등은 단락 회로를 야기할 수 있습니다.

잔류 위험

제품을 설명서대로 사용하더라도 위험 요소를 완전히 제거하는 것은 여전히 불가능합니다.

사용 중에 다음과 같은 위험이 발생할 수 있으며, 작업자는 위험 상황을 피하기 위해 특별한 주의를 기울여야 합니다.

- 진동으로 인한 부상이 생길 수 있습니다. 이에 손잡이를 잘 잡고, 작업시간과 노출을 제한하십시오.
- 소음에 노출되면 청력 손상을 입을 수 있습니다. 청력 보호구를 착용하고 소음에 대한 노출을 제한하십시오.
- 떨어지는 파편으로 인한 부상이 생길 수 있습니다. 항상 보안경, 길이가 긴 바지, 장갑, 안전화를 착용하십시오.

지정된 사용 조건

본 제품은 작업자가 선 자세로 실외에서만 사용하도록 되어 있습니다.

제품은 도보, 차로, 플라워 베드, 커브 및 이와 유사한 구역 같이 거친 표면을 따라 가장자리 작업을 위해 설계되었습니다. 자갈 모래 표면이나 근처에서 제품을 사용하지 마십시오.

풀을 깎아낼 때 절단면이 지면과 대체로 평행을 이루도록 해야 합니다.

절단면이 지면이나 그 근처의 높이에 있지 않은 산울타리, 관목 또는 기타 식물을 자르거나 다듬는 용도로 제품을 사용하면 안 됩니다.

이 제품을 정상적인 사용법 이외의 방법으로 사용하지 마십시오.

작동

물에 젖은 토양/잔디에서 가장자리 처리 작업을 수행하지 마십시오. 블레이드 가드가 막히고 예기치 않는 결과를 야기할 수 있습니다. 블레이드 가드가 막히고 제품이 멈춘 경우, 배터리 팩을 분리하여 블레이드 가드에서 파편을 청소하십시오.

후방 손잡이에 오른손을 두고 전방 손잡이에 왼손을 둔 상태에서 제품을 확실히 잡으십시오. 항상 가드 위에 서십시오. 약 둔부 높이에 후방 손잡이를 둔 상태에서 편안한 위치에 제품을 두십시오.

제품을 표면에 따라 밀어넣고 딱딱한 물체와 접촉하지 않도록 유의하십시오. 블레이드 가장자리를 사용하여 블레이드와 가장자리 표면을 일치시키십시오.

일정한 속도로 제품을 밀어 넣으십시오. 블레이드가 움직이지 않을 경우, 절삭 속도를 천천히 하십시오. 블레이드를 강제로 지상에 밀어 넣지 마십시오.

배터리

장시간 사용하지 않은 배터리 팩은 사용하기 전에 충전해야 합니다.

50°C(122°F)를 초과하는 온도는 배터리 팩의 성능을 저하시킵니다. 열이나 햇볕에 오래 노출시키지 마십시오(과열 위험).

충전기 접점 및 배터리 팩을 청결한 상태로 유지해야 합니다.

최적의 수명을 보장하려면 사용한 후에 배터리 팩을 완전히 충전해야 합니다.

배터리 수명을 최대한 연장하려면 완전히 충전된 경우 충전기에서 배터리 팩을 제거하십시오.

30일 이상 배터리 팩을 보관하는 경우:

- 온도가 27°C 이하이며 습기가 없는 장소에 배터리 팩을 보관하십시오.
- 배터리 팩을 30% - 50% 충전된 조건으로 보관하십시오.
- 보관한지 6개월이 경과할 때마다 팩을 정상적으로 충전하십시오.

배터리 팩 보호

배터리 팩에는 과부하를 방지하고 오랜 수명을 보장하는 데 도움이 되는 과부하 보호 장치가 포함되어 있습니다.

배터리 전자 제품은 극심한 응력이 가해진 상태에서 제품을 자동으로 끕니다. 다시 시동하려면 제품 전원을 차단한 후 다시 켜십시오. 장비가 재시동되지 않는다면, 배터리 팩이 완전 방전되었기 때문일 수 있습니다. 이 경우, 배터리팩을 재충전하십시오.

리튬 배터리의 운송

리튬 이온 배터리는 위험물 범을 요건의 적용을 받습니다. 이 배터리는 현지, 국내 및 국제 규정과 법규에 따라 운송해야 합니다.

- 사용자는 추가 요건 없이 배터리를 도로를 통해 운반할 수 있습니다.
- 제3자가 리튬 이온 배터리를 상용으로 운송할 때에는 위험물 규정의 적용을 받습니다. 운송 준비 및 운송 작업은 적절히 교육을 이수한 개인만 수행해야 하고 그 과정에 해당 전문가가 동행해야 합니다.

배터리 운송 시 :

- 배터리 접촉면을 보호 및 차단하여 합선 위험을 방지하십시오.
- 배터리 팩이 포장 내에서 움직이지 않도록 고정하십시오.
- 균열 또는 누출이 있는 배터리는 운송하지 마십시오.

추가 지침은 운송 회사에 확인하십시오.

유지 관리

제품의 통기구를 항상 깨끗하게 유지해야 합니다.

본 장비를 수리하려면 세심한 주의와 전문 지식이 필요하므로, 자격을 갖춘 서비스 기술자에게 맡겨야 합니다. 공인된 서비스 센터를 통해서만 제품을 수리해야 합니다. 수리 시에는 본래의 교체용 부품만 사용하십시오.

유지 관리 또는 청소 작업을 하려면 먼저 제품을 끄고 배터리 팩을 분리하십시오.

작업자는 본 설명서에 제공되어 있는 조절 또는 수리 작업만 수행할 수 있습니다. 다른 수리 작업을 하려면 공인 서비스 대리점에 문의하십시오.

매번 사용한 후에는 부드럽고 마른 천으로 제품을 청소하십시오. 손상된 부품이 있으면 공인 서비스 센터에서 적절한 수리 또는 교체 서비스를 받아야 합니다.

제품을 안전한 작동 조건에서 사용할 수 있도록 모든 너트, 볼트 및 나사가 잘 조여져 있는지 자주 점검하십시오.

MILWAUKEE 액세서리와 부속품만 사용하십시오. 언급하지 않은 구성 부품을 교체해야 하는 경우 MILWAUKEE 서비스 센터 중 한 곳에 문의하십시오(보충/서비스 주소 목록 참조).

필요 시, 제품의 분해 조립도를 주문할 수 있습니다. 가까운 서비스 대리점에서 라벨에 인쇄되어 있는 장비 유형과 10자리 번호를 알려주고 도면을 주문하십시오.

기호



주의! 경고! 위험!



제품을 시동하기 전에 주의하여 설명서를 읽으십시오.



제품에서 어떠한 작업을 시작하기 전에 배터리 팩을 제거하십시오.



귀마개를 착용하십시오!
제품을 사용할 때 항상 보안경을 착용하십시오.



장갑을 착용하십시오!



항상 보호복과 안전화를 착용하십시오.



주변 사람들이 제품과 안전 거리를 유지하도록 하십시오.



절삭 블레이드 회전



끼인 물체



제품 블레이드 회전 방향



빗속에서 제품을 사용하거나 방치하지 마십시오.



위험! 사용하는 동안 블레이드와 접촉하지 않도록 하십시오.



이 라벨에 표시된 보장 음향 출력 레벨은 96dB(A)입니다.



전동 공구 및 배터리 팩을 폐기할 때 일반 가정용 쓰레기와 함께 섞어서 버리면 안 됩니다. 수명이 다한 전동 공구와 배터리는 별도로 수거하여 환경적으로 호환되는 재생 시설로 반송해야 합니다. 재활용에 관한 조건과 수거 지점에 대해서는 지방 정부당국이나 소매업자에게 확인하십시오.

n₀

무부하 상태에서의 스트로크 레이트(분당 스트로크)

V

전압(볼트)



직류

ความเร็วโดยไม่มีภาระโหลด (ความเร็วต่ำ)	0–3000 min ⁻¹
ความเร็วโดยไม่มีภาระโหลด (ความเร็วสูง)	0–3900 min ⁻¹
เส้นผ่านศูนย์กลางของใบมีด	203 mm
ความจุการตัดสูงสุด	50 mm
แรงดันไฟแบตเตอรี่	18 V
น้ำหนักตามขั้นตอนของ EPTA 01/2014 (9.0 Ah)	2.4 kg

ข้อมูลเกี่ยวกับเสียงรบกวน/การสั่น

ค่าที่วัดที่กำหนดตาม EN ISO 3744

โดยทั่วไป ระดับเสียงรบกวน A ตามน้ำหนักของเครื่องมือมีค่าเท่ากับ:

ระดับความดันเสียง (ค่า K แปรผัน = 3dB(A))	94 dB(A)
ระดับกำลังเสียง (ค่า K แปรผัน = 3dB(A))	5 dB(A)

อย่าลืมใส่อุปกรณ์ป้องกัน!

ค่าการสั่นสะเทือนรวม (ผลรวมเวกเตอร์ในสามแกน) ที่กำหนดตาม EN ISO 3744

การสั่น(a _r)	4.0 m/s ²
ค่า K แปรผัน	0.9 m/s ²

สำหรับข้อมูลทางเทคนิคและรายชื่อฐานพลังงานที่สามารถใช้ร่วมกับหัวสำหรับการใช้งานที่เฉพาะเจาะจง โปรดดูคู่มือการใช้งานของหัวสำหรับการใช้งานนั้น **คำเตือน!**

ระดับการส่งแรงสั่นสะเทือนที่ให้ไว้ในเอกสารนี้ได้รับการวัดให้สอดคล้องกับการทดสอบมาตรฐานตาม EN ISO 3744 / ISO 7574-4 และอาจใช้เปรียบเทียบผลิตภัณฑ์หนึ่งกับอีกผลิตภัณฑ์หนึ่ง ซึ่งอาจใช้ในการประเมินการสัมผัสแรงสั่นสะเทือนเบื้องต้น

ระดับการส่งแรงสั่นสะเทือนที่แจ้งไว้คือระดับที่เกิดขึ้นจากการใช้งานหลัก อย่างไรก็ตาม หากใช้งานผลิตภัณฑ์ในลักษณะอื่น ด้วยอุปกรณ์เสริมที่แตกต่างจากที่แนะนำไว้ หรือขาดการบำรุงรักษาที่เหมาะสม แรงสั่นสะเทือนที่ส่งออกมาอาจมีการเปลี่ยนแปลงไป ซึ่งอาจเพิ่มระดับการสัมผัสแรงสั่นสะเทือนขึ้นอย่างมากตลอดช่วงการทำงานทั้งหมด

ให้พิจารณาประเมินระดับความเสี่ยงของการสั่นทุกครั้งขณะเปิดเครื่องของอุปกรณ์แล้วหรือเมื่อเปิดเครื่องของอุปกรณ์แล้วแต่ยังไม่ได้ใช้งาน ซึ่งอาจลดระดับการสัมผัสแรงสั่นสะเทือนลงอย่างมากตลอดช่วงการทำงานทั้งหมด

อ่านมาตรการด้านความปลอดภัยเพิ่มเติมเพื่อปกป้องผู้ใช้จากผลของแรงสั่นสะเทือน เช่น การบำรุงรักษาผลิตภัณฑ์และอุปกรณ์เสริม การคอยดูแลให้มืออุ่น และการวางแผนรูปแบบการทำงานให้เป็นระเบียบ

⚠ คำเตือน อ่านคู่มืออย่างระมัดระวังและความรู้จักกับตัวควบคุมและการใช้งานผลิตภัณฑ์อย่างเหมาะสม โปรดเก็บเอกสารคำเตือนและคำแนะนำทั้งหมดเพื่อใช้อ้างอิงในอนาคต

คำเตือนความปลอดภัยสำหรับอุปกรณ์ตัดแต่งขอบพุ่มไม้

การฝึกอบรม

อ่านคำแนะนำอย่างละเอียด ทำความคุ้นเคยกับการควบคุมและการใช้งานเครื่องจักรอย่างถูกต้อง

อย่าให้เด็กหรือคนที่ไม่คุ้นเคยกับคำแนะนำเหล่านี้ใช้เครื่อง ช้อปบังคับภายในประเทศอาจจำกัดอายุของผู้ใช้เครื่อง

ห้ามตัดแต่งขอบพุ่มไม้ในขณะที่มีบุคคล โดยเฉพาะเด็ก เลิกหรือสัตว์เลี้ยงอยู่ใกล้เคียง

โปรดฟังจดจำว่าผู้ปฏิบัติงานหรือผู้ใช้จะต้องรับผิดชอบสำหรับอุบัติเหตุหรืออันตรายที่เกิดขึ้นกับบุคคลอื่น หรือทรัพย์สินของพวกเขา

การเตรียมความพร้อม

ในขณะตัดแต่งขอบพุ่มไม้ ให้สวมเครื่องป้องกันดวงตาและใบหู เครื่องสวมเท้าแบบปิดคลุม และสวมกางเกงขายาวเสมอ

ตรวจสอบบริเวณพื้นผิวของอุปกรณ์ก่อนใช้งานอย่างทั่วถึงและขจัดเศษหินกิ่งไม้ สาย กระดุก และวัตถุแปลกปลอมอื่นๆ ทั้งหมด

ก่อนใช้งาน ให้ตรวจสอบด้วยสายตาให้มั่นใจว่าใบมีด สลักยึดใบมีด และชุดเครื่องตัดไม่มีการสึกหรอหรือเสียหาย ให้เปลี่ยนใบมีดและสลักยึดที่สึกหรอ

หรือชำรุดเพื่อรักษาสมดุล

ใช้เฉพาะชิ้นส่วนอะไหล่และอุปกรณ์เสริมที่ผู้ผลิตแนะนำเท่านั้น

การปฏิบัติงาน

อย่าเปิดเครื่องยนต์ของอุปกรณ์ในพื้นที่ปิดแคบเนื่องจากอาจทำให้ไอควมคาร์บอนนอกโชดที่เป็อันตรายสะสมตัว การหายใจเอาไอเสียเข้าไปอาจเป็นอันตรายถึงชีวิตได้

ให้ตัดแต่งขอบพุ่มไม้เฉพาะในเวลากลางวันหรือในสภาพที่มีแสงสว่างเพียงพอเท่านั้น

ตรวจสอบว่าเท้าของคุณอยู่บนเนินเสมอ

ให้เดิน ห้ามวิ่ง

ใช้ความระมัดระวังขั้นสูงสุดเมื่อถอยกลับหรือดึงอุปกรณ์กลับมาเข้าหาตัวเอง ตรวจสอบให้แน่ใจว่าใบมีดจะหยุดสนิทก่อนข้ามพื้นผิวไปยังต้นหญ้าส่วนอื่น และเมื่อทำการขนส่งอุปกรณ์ไปและจากพื้นที่ที่จะตัดแต่งขอบ

ห้ามใช้งานอุปกรณ์ที่อุปกรณ์ป้องกันชำรุด ขาดหายไป หรือสวมประกอบไม่ถูกต้อง

สตาร์ทเครื่องของอุปกรณ์หรือเปิดมอเตอร์อย่างระมัดระวัง โดยปฏิบัติตามคำแนะนำและดูแลให้เท้าอยู่ห่างจากใบมีดอย่างปลอดภัย

อย่าเอียงอุปกรณ์ขณะเปิดมอเตอร์ เว้นแต่จะต้องเอียงอุปกรณ์เพื่อการสตาร์ทเครื่อง ในกรณีนี้ อย่าเอียงอุปกรณ์มากกว่าที่จำเป็นจริงๆ และให้ยกเอียงเฉพาะตัวชิ้นส่วนที่อยู่ไกลจากตัวผู้ปฏิบัติงานเท่านั้น

ห้ามเปิดเครื่องอุปกรณ์เมื่อมีบุคคลใกล้เคียงยืนอยู่ด้านหน้าของใบมีด

ห้ามยื่นมือหรือเท้าเข้าใกล้หรือเข้าข้างใต้ชิ้นส่วนที่กำลังหมุน

ให้เดินเครื่องอุปกรณ์และถอดชุดแบตเตอรี่ออกเสมอ

- ก่อนทำความสะอาดสิ่งใดก็ตาม
- ก่อนการตรวจสอบ การทำความสะอาด หรือทำงานใด ๆ กับ ใบมีด
- หลังจากที่ใช้ใบมีดไปจนปะทะกับวัตถุแปลกปลอม ให้ตรวจสอบความเสียหายของใบมีดหรือทำการซ่อมแซมก่อนเริ่มทำงานใหม่และใช้งานอุปกรณ์อีกครั้ง
- ถ้าอุปกรณ์เริ่มสั่นอย่างผิดปกติ (ให้ตรวจสอบทันที)
- เมื่อไรก็ตามที่คุณอยู่ห่างจากอุปกรณ์

การบำรุงรักษาและจัดเก็บ

ให้ถอด สลักและสกรูขึ้นอย่างแน่นหนาเพื่อให้แน่ใจว่าเครื่องอยู่ในสภาพที่ทำงานได้อย่างปลอดภัย

ทิ้งให้อุปกรณ์เย็นตัวลงก่อนจัดเก็บไว้ในพื้นที่มีการปิด

เปลี่ยนชิ้นส่วนที่สึกหรอหรือเสียหาย

อย่าพยายามซ่อมแซมอุปกรณ์ในวันแต่คุณมีความสามารถในการซ่อมแซมดังกล่าว

ใช้เฉพาะชิ้นส่วนอะไหล่และอุปกรณ์เสริมที่ผู้ผลิตแนะนำเท่านั้น

คำแนะนำด้านความปลอดภัยเพิ่มเติม

ห้ามให้เด็ก บุคคลที่มีความบกพร่องทางกาย การรับรู้ หรือทางจิต ตลอดจนบุคคลที่ขาดประสบการณ์และความรู้ หรือบุคคลที่ไม่คุ้นเคยกับคำแนะนำเหล่านี้ใช้งานเครื่องมือ อาจมีการจำกัดอายุผู้ใช้ตามข้อกำหนดในห้องกัน อาจมีการจำกัดอายุผู้ใช้ตามข้อกำหนดในห้องกัน

ถอดชุดแบตเตอรี่ออกก่อนเริ่มกระทำภารกิจ ๆ กับผลิตภัณฑ์

ห้ามตั้งแบตเตอรี่ที่ใช้แล้วกับขดเบรคหรือโดยการนำทำลาย ผู้แทนจำหน่ายของ MILWAUKEE รับแบตเตอรี่เก่าเพื่อรักษาสิ่งแวดล้อม

ไม่เก็บชุดแบตเตอรี่ไว้รวมกับวัตถุอื่นที่เป็นโลหะ (เสี่ยงต่อการลัดวงจร)

ชาร์จชุดแบตเตอรี่ System M18 ด้วยตัวชาร์จสำหรับ System M18 เท่านั้น อย่าใช้แบตเตอรี่จากระบบอื่น ๆ

กรดแบตเตอรี่อาจรั่วซึมจากแบตเตอรี่ที่เสียหายภายใต้อุณหภูมิสูงหรือการใช้งานที่หนักมากเกินไป หากสัมผัสกับกรดแบตเตอรี่ ให้ล้างออกทันทีด้วยน้ำสะอาด หากกรดแบตเตอรี่เข้าตา ล้างตาให้ทั่วด้วยน้ำอย่างน้อย 10 นาทีและไปพบแพทย์ทันที

คำเตือนเพิ่มเติมเกี่ยวกับความปลอดภัยของแบตเตอรี่

⚠ คำเตือน! วิสลดความเสี่ยงในการเกิดไฟไหม้ การบาดเจ็บส่วนบุคคล และความเสียหายต่อผลิตภัณฑ์ จากการลัดวงจร อย่างจุ่มเครื่องมือ ก่อนแบตเตอรี่ หรือเครื่องชาร์จไฟลงในช่องหรือปลั๊กของแหล่งชาร์จเข้าสู่ภายใน ของเหลวที่มีฤทธิ์กัดกร่อนหรือนำไฟฟ้าอาจก่อให้เกิดการลัดวงจรได้ เช่น น้ำทะเล สารเคมีทางอุตสาหกรรมบางชนิด และผลิตภัณฑ์ฟอสซิลหรือมีส่วนผสมการฟอสซิล เป็นต้น

ความเสี่ยงที่เหลือน

ถึงแม้เครื่องมือจะได้รับการใช้ตามที่กำหนด แต่ก็ไม่สามารถกำจัดปัจจัยความเสี่ยงที่หลงเหลืออยู่ได้ อาจเกิดภัยอันตรายต่อไประหว่างการใช้งานได้ และผู้ใช้งานควรระมัดระวังเป็นพิเศษเพื่อหลีกเลี่ยงภัยอันตรายต่อไปนี้:

- การบาดเจ็บที่เกิดจากแรงสั่นสะเทือน จับบริเวณที่จับเฉพาะของผลิตภัณฑ์และอย่าใช้งานติดต่อกันเป็นเวลานาน
- เสียงดังเกินไปอาจทำให้สูญเสียความสามารถในการได้ยิน สวมอุปกรณ์ป้องกันการได้ยินและจำกัดระยะเวลาการได้ยิน
- การบาดเจ็บเนื่องจากเศษวัสดุที่กระเด็น สวมใส่อุปกรณ์ป้องกันดวงตากรองแสงยาวที่มีความหนา ลูกมือและรองเท้าที่แข็งแรงทนทานตลอดเวลา

สภาพการใช้งานที่คาดหวัง

ผลิตภัณฑ์นี้มีไว้เพื่อใช้งานกลางแจ้ง และควบคุมโดยผู้ปฏิบัติงานที่ยืนอยู่เท่านั้น

ผลิตภัณฑ์นี้ได้รับการออกแบบมาสำหรับการตัดแต่งขอบไปตามแนวพื้นผิวแข็ง เช่น ทางเดิน ทางซิปส์ แปลงดอกไม้ ขอบทางเดิน และพื้นที่ลักษณะคล้ายกัน

ห้ามใช้ผลิตภัณฑ์นี้บนหรือใกล้กับพื้นผิวก่อนการวัด

ควรจัดให้ระนาบการตัดขนานกับพื้นดินในระหว่างที่ทำการตัด

ไม่ควรใช้ ผลิตภัณฑ์นี้ในการตัดหรือเล็มแนวไม้ พุ่มไม้ หรือพืชผักอื่นๆ ในขณะที่ระนาบการตัดไม่ได้ยึดเกาะหรือใกล้เคียงกับพื้นดิน

ห้ามใช้ผลิตภัณฑ์นี้นอกเหนือไปจากการใช้งานแบบปกติ

การปฏิบัติงาน

หลีกเลี่ยงการตัดแต่งขอบในพื้นที่ดิน/สนามหญ้าที่เปียก ตัวป้องกันใบมีดอาจอุดตันและทำให้ได้รับผลการทำงานที่ไม่คาดหมาย ถ้าตัวป้องกันใบมีดเริ่มอุดตัน ให้หยุดเครื่อง ถอดชุดแบตเตอรี่ออก จากนั้นทำความสะอาดเศษวัสดุจากตัวป้องกันใบมีด

ใช้มือขวาของคุณจับยึดที่ด้ามจับด้านหลังและใช้มือซ้ายจับยึดที่ด้ามจับด้านหน้าของอุปกรณ์ให้มั่นคง ให้ยืนด้านหลังตัวป้องกันเสมอ จับยึดอุปกรณ์ในตำแหน่งที่สะดวกสบายเพื่อให้ด้ามจับด้านหลังกระดกขึ้น

เลื่อนตัวอุปกรณ์ไปตามแนวพื้นผิว ระวังเครื่องมืออย่าให้สัมผัสกับวัตถุแข็ง ใช้สันใบมีดเพื่อปรับแนวใบมีดเข้ากับพื้นผิวของการตัดแต่งขอบ

ดึงตัวอุปกรณ์ไปข้างหน้าด้วยจังหวะคดๆ ถ้าใบมีดเริ่มติดขัด ให้ลดจังหวะการตัดแต่งลง อย่ายังคับใบมีดลงสู่พื้น

แบตเตอรี่

ควรชาร์จไฟใหม่ก่อนใช้งานหากไม่ได้ใช้ชุดแบตเตอรี่เป็นเวลานาน

ประสิทธิภาพของชุดแบตเตอรี่จะลดลงหากอุณหภูมิสูงกว่า 50°C (122°F) หลีกเลี่ยงไม่ให้ถูกแสงแดดหรือความร้อนเป็นเวลานาน (เสี่ยงต่อความร้อนเกิน)

ต้องหมั่นดูแลความสะอาดหน้าสัมผัสตัวชาร์จกับชุดแบตเตอรี่

เพื่อยืดอายุการใช้งาน ควรชาร์จแบตเตอรี่ให้เต็มหลังการใช้งาน

เพื่อรักษาอายุแบตเตอรี่ให้มากที่สุด ให้ถอดชุดแบตเตอรี่ออกจากตัวชาร์จเมื่อชาร์จไฟเต็ม

สำหรับชุดแบตเตอรี่ที่ต้องการเก็บไว้นานกว่า 30 วัน:

- เก็บชุดแบตเตอรี่ไว้ที่อุณหภูมิต่ำกว่า 27°C และหลีกเลี่ยงความร้อน
- เก็บชุดแบตเตอรี่ไว้ที่ประจุ 30% - 50%
- ให้ชาร์จแบตเตอรี่ตามปกติทุกหกเดือนที่เก็บ

ระบบป้องกันของชุดแบตเตอรี่

ก้อนแบตเตอรี่มีตัวป้องกันจากการใช้งานมากเกินไปเพื่อช่วยปกป้องจากการใช้งานมากเกินไปและช่วยให้นับใจว่าเครื่องจะมีอายุการใช้งานที่ยาวนาน

ภายใต้ความเครียดที่รุนแรง อุปกรณ์อิเล็กทรอนิกส์ที่ใช้แบตเตอรี่จะปิดการทำงานของผลิตภัณฑ์โดยอัตโนมัติ หากต้องการรีเซ็ต ให้ปิดเครื่องแล้วเปิดใหม่อีกครั้ง หากสแตทรีเครื่องจักรไม่ติด แสดงว่าพลังงานในแพ็คแบตเตอรี่อาจหมดแล้ว ในกรณีดังกล่าว ให้รีเซ็ตชุดแบตเตอรี่

การเคลื่อนย้ายแบตเตอรี่ลิเทียม

แบตเตอรี่ลิเทียมไอออนอยู่ภายใต้ข้อกำหนดตามกฎหมายของสินค้าอันตราย

การขนส่งแบตเตอรี่เหล่านี้ต้องกระทำตามกฎระเบียบและข้อบังคับของท้องถิ่น ของประเทศ และระหว่างประเทศ

- ผู้ใช้สามารถขนส่งแบตเตอรี่หากถนนได้โดยไม่ต้องมีข้อกำหนดใดๆ เพิ่มเติม
- การขนส่งแบตเตอรี่ลิเทียมไอออนเชิงพาณิชย์โดยนิติบุคคลอื่นต้องดำเนินการภายใต้กฎระเบียบว่าด้วยสินค้าที่มีอันตราย การเตรียมการขนส่งและการขนส่งต้องดำเนินการโดยบุคลากรที่ผ่านการฝึกอบรมมาแล้วเท่านั้น และในระหว่างดำเนินการต้องมีผู้เชี่ยวชาญที่เกี่ยวข้องคอยกำกับดูแล

เมื่อขนย้ายแบตเตอรี่:

- ตรวจสอบให้แน่ใจว่าขั้วต่อแบตเตอรี่ได้รับการปกป้องและหุ้มฉนวนเพื่อ

- ป้องกันไฟฟ้าลัดวงจร
- โปรดตรวจสอบให้แน่ใจว่าแบตเตอรี่ได้รับการบรรจุที่ห่ออย่างมั่นคงเพื่อป้องกันการขยับเขยื้อน
- ห้ามเคลื่อนย้ายแบตเตอรี่ที่แตกหรือรั่ว

ตรวจสอบกับบริษัทจัดส่งเพื่อขอคำแนะนำเพิ่มเติม

การบำรุงรักษา

ต้องให้ช่องระบายอากาศเปิดโล่งอยู่ตลอดเวลา

การซ่อมบำรุงจะต้องทำด้วยความระมัดระวังเป็นพิเศษและต้องการความรู้เฉพาะด้าน โดยควรให้เฉพาะ เจ้าหน้าที่เทคนิคซ่อมบำรุงที่ผ่านการฝึกอบรมเป็นผู้ดำเนินการ การซ่อมบำรุงผลิตภัณฑ์จะต้องกระทำโดยศูนย์บริการที่ได้รับอนุญาตเท่านั้น เมื่อดำเนินการซ่อมบำรุง ให้ใช้เฉพาะชิ้นส่วนอะไหล่ของแท้เท่านั้น

ดับเครื่องของอุปกรณ์และถอดชุดแบตเตอรี่ออกก่อนดำเนินการบำรุงรักษาหรือทำความสะอาดใดๆ

คุณสามารถดำเนินการปรับเปลี่ยนหรือซ่อมแซมตามที่ระบุไว้ในคู่มือนี้เท่านั้น สำหรับการซ่อมแซมอื่นๆ โปรดติดต่อตัวแทนบริการที่ได้รับอนุญาต

หลังการใช้งานแต่ละครั้ง ให้ทำความสะอาดผลิตภัณฑ์ด้วยผ้าแห้งที่อ่อนนุ่ม หากมีส่วนใดๆ ที่ได้รับความเสียหาย ควรนำไปส่งให้ ศูนย์บริการ ที่ได้รับอนุญาต ดำเนินการซ่อมแซมหรือเปลี่ยน

ตรวจสอบเป็นประจำว่าได้ขันน็อต สลัก และสกรูทั้งหมดในระดับความแน่นที่เหมาะสม เพื่อให้แน่ใจว่าผลิตภัณฑ์จะอยู่ในสภาพที่สามารถทำงานได้อย่างปลอดภัย

ให้ใช้อุปกรณ์เสริมและชิ้นส่วนอะไหล่ของ MILWAUKEE เท่านั้น หากจำเป็นต้องเปลี่ยนส่วนประกอบที่ไม่ได้อธิบายไว้ โปรดติดต่อศูนย์บริการของ MILWAUKEE (ดูที่รายการรับประกัน/ที่อยู่ของศูนย์บริการของเรา)

ท่านสามารถส่งภาพกระจายชิ้นส่วนประกอบของผลิตภัณฑ์ได้ หากต้องการโปรดระบุชนิดของเครื่องจักรและหมายเลขสลิปหลัก ตามที่พิมพ์ไว้บนฉลากและส่งชื่อแผนภาพจากตัวแทนจำหน่ายในพื้นที่ของคุณ

เครื่องหมาย



ระวัง! คำเตือน! อันตราย!



โปรดอ่านคำแนะนำอย่างละเอียดก่อนเริ่มใช้งานผลิตภัณฑ์



ถอดชุดแบตเตอรี่ออกก่อนเริ่มทำการใดๆ กับผลิตภัณฑ์



อย่าสัมผัสอุปกรณ์ป้องกันหู!
สวมแว่นตานิรภัยทุกครั้งที่ใช้ผลิตภัณฑ์นี้



สวมถุงมือ



สวมชุดและรองเท้าป้องกันเสมอ



คอยรักษาระยะห่างที่ปลอดภัยจากผลิตภัณฑ์นี้สำหรับบุคคลที่ยืนมอง



การหมุนใบมีดตัด



วัตถุที่กระเด็นออก



ทิศทางการหมุนของใบมีดของอุปกรณ์



อย่าใช้ผลิตภัณฑ์หรือทิ้งไว้ภายใต้สายฝน



อันตราย! หลีกเลี่ยงการสัมผัสใบมีดในระหว่างการใช้งาน



ระดับความดังของเสียงที่รับประกันบนฉลากนี้อยู่ที่ 96 dB(A)



อย่าทิ้งเครื่องมือไฟฟ้าและก้อนแบตเตอรี่ร่วมกับขยะในครัวเรือน ต้องทิ้งเครื่องมือไฟฟ้าและแบตเตอรี่ที่หมดอายุการใช้งานแยกต่างหากและนำไปยังสถานที่รีไซเคิลที่เป็นมิตรกับสิ่งแวดล้อม ตรวจสอบกับผู้มีอำนาจในท้องถิ่นของคุณหรือร้านค้าปลีกสำหรับคำแนะนำในการรีไซเคิลและจุดเก็บรวบรวม

n_0

อัตราความเร็วสูงจะหายไปสภาวะที่ไม่มีโหลด

V

โวลต์



กระแสตรง

DATA TEKNIS**M18 FOPH-EA**

Kecepatan tanpa beban (kecepatan rendah)	0–3000 min ⁻¹
Kecepatan tanpa beban (kecepatan tinggi)	0–3900 min ⁻¹
Diameter mata pisau	203 mm
Kapasitas pemotongan maksimum	50 mm
Tegangan baterai	18 V
Bobot sesuai dengan Prosedur EPTA 01/2014 (9,0 Ah)	2,4 kg

Informasi derau/vibrasi

Nilai terukur yang ditentukan sesuai EN ISO 3744.

Biasanya, level kebisingan tertimbang A dari alat adalah:

Tingkat tekanan suara (K Ketidakpastian=3dB(A))	94 dB(A)
Tingkat daya suara (K Ketidakpastian=3dB(A))	5 dB(A)

Pakailah pelindung telinga!

Total nilai vibrasi (jumlah vektor di ketiga aksis) ditentukan sesuai EN ISO 3744.

Getaran a_h	4,0 m/s ²
K Ketidakpastian	0,9 m/s ²

Untuk data teknis dan daftar sumber daya (powerbase) yang bisa digunakan untuk kepala (head) perangkat tertentu, lihat instruksi pengoperasian head perangkat tersebut.

PERINGATAN!

Tingkat emisi getaran yang diberikan dalam lembar informasi ini telah diukur sesuai dengan uji terstandar yang diberikan dalam EN ISO 3744 / ISO 7574-4 dan dapat digunakan untuk membandingkan satu produk dengan yang lainnya. Dapat digunakan untuk penilaian pendahuluan terhadap paparan.

Tingkat emisi getaran yang dinyatakan mewakili penggunaan utama produk ini. Namun, jika produk digunakan untuk penggunaan yang berbeda, dengan aksesoris yang berbeda, atau pemeliharaan yang kurang memadai, maka emisi getaran mungkin akan berbeda. Hal ini dapat meningkatkan tingkat paparan secara signifikan selama periode kerja total.

Perkiraan tingkat paparan terhadap getaran juga harus memperhitungkan saat-saat ketika alat dimatikan atau ketika produk sedang dinyalakan tetapi tidak benar-benar melakukan pekerjaan. Hal ini dapat menurunkan tingkat paparan secara signifikan selama periode kerja total.

Tentukan langkah-langkah keselamatan tambahan untuk melindungi operator dari efek getaran seperti: memelihara produk dan aksesoris, menjaga agar tangan tetap hangat, dan mengelola pola kerja.

⚠ PERINGATAN Baca instruksi ini dengan seksama dan kenali fungsi kontrol dan penggunaan produk dengan benar. Simpan semua peringatan dan petunjuk sebagai referensi sewaktu-waktu.

PERINGATAN KESELAMATAN PENEPI (EDGER)**Latihan**

Bacalah petunjuk dengan teliti. Kenali fungsi kendali dan penggunaan mesin yang benar.

Jangan pernah membiarkan anak-anak atau orang yang tidak memahami petunjuk ini dengan baik menggunakan produk ini. Peraturan setempat mungkin membatasi usia operator.

Jangan melakukan penepian (edging) ketika ada orang, khususnya anak-anak atau binatang peliharaan berada di sekitar.

Ingatlah bahwa operator atau pengguna bertanggung jawab atas kecelakaan atau bahaya yang terjadi pada orang lain atau properti mereka.

Persiapan

Saat melakukan penepian, selalu gunakan pelindung mata dan

pelindung telinga, sepatu yang kokoh, dan celana panjang.

Periksa dengan teliti permukaan di mana produk akan digunakan dan singkirkan batu, kayu, kabel, tulang, dan benda asing lainnya.

Sebelum menggunakan, selalu periksa secara visual untuk melihat apakah mata pisau, baut mata pisau dan rakitan pemotong tidak aus atau rusak. Ganti mata pisau dan baut yang aus atau rusak pada stet untuk menjaga keseimbangan.

Hanya gunakan suku cadang dan aksesoris pengganti yang direkomendasikan produsen.

Pengoperasian

Jangan operasikan mesin di ruang sempit di mana uap karbon monoksida yang berbahaya dapat terkumpul. Menghirup asap buangan bisa berdampak fatal.

Lakukan penepian hanya di siang hari atau dalam kondisi pencahayaan yang baik.

Selalu pastikan Anda berpijak di tempat landai.

Berjalan, jangan pernah berlari.

Berhati-hatilah saat membalik atau menarik produk ke arah Anda.

Pastikan mata pisau telah berhenti sebelum melintasi permukaan selain rumput dan saat mengangkat produk ke dan dari area yang akan dilakukan penepian.

Jangan sekali-kali mengoperasikan produk dengan pelindung yang cacat, hilang, atau salah pasang.

Nyalakan mesin atau motor dengan hati-hati sesuai instruksi dan dengan kaki menjauh dari mata pisau.

Jangan memiringkan produk saat menyalakan motor, kecuali jika produk harus dimiringkan untuk dinyalakan. Dalam hal ini, jangan miringkan produk lebih dari yang diperlukan dan angkat hanya bagian yang jauh dari operator.

Jangan nyalakan produk saat ada pengamat yang berdiri di depan mata pisau.

Jangan meletakkan tangan atau kaki di dekat atau di bawah bagian yang berputar.

Selalu matikan produk dan lepaskan baterai:

- sebelum membersihkan sumbatan
- sebelum memeriksa, membersihkan atau mengerjakan apa pun pada mata pisau;
- setelah membentur benda asing: periksalah mata pisau akan adanya kerusakan dan lakukan perbaikan sebelum memulai kembali dan mengoperasikan produk
- jika produk mulai bergetar secara tidak normal (segera periksa)
- ketika Anda meninggalkan produk ini

Perawatan dan penyimpanan

Selalu kencangkan mur, baut dan obeng untuk memastikan bahwa mesin dalam kondisi kerja yang aman.

Biarkan produk menjadi dingin sebelum menyimpannya di ruang tertutup.

Ganti bagian yang aus atau rusak.

Jangan mencoba memperbaiki produk kecuali Anda kompeten untuk melakukannya.

Hanya gunakan suku cadang dan aksesoris pengganti yang direkomendasikan produsen.

PETUNJUK KESELAMATAN TAMBAHAN

Jangan pernah membiarkan anak-anak, orang dengan kemampuan fisik, indra atau mental yang kurang atau tidak berpengalaman dan berpengetahuan atau orang-orang yang tidak paham dengan petunjuk penggunaan menggunakan mesin ini, peraturan setempat dapat membatasi usia operator.

Lepaskan paket baterai sebelum memulai pekerjaan apa pun pada produk.

Jangan membuang unit baterai bekas dalam sampah rumah tangga atau membakarnya. Distributor MILWAUKEE menerima kembali baterai usang untuk menjaga lingkungan.

Jangan menyimpan paket baterai bersama benda logam (risiko arus pendek).

Hanya gunakan pengisi daya System M18 untuk mengisi daya paket baterai System M18. Jangan menggunakan unit baterai dari sistem lain.

Asam baterai dapat merembes dari baterai yang rusak akibat beban atau suhu yang ekstrem. Jika asam baterai mengenai Anda, segera cuci dengan sabun dan air. Jika mengenai mata, bilas sebanyak-banyaknya selama setidaknya 10 menit dan segera dapatkan penanganan medis.

PERINGATAN KESELAMATAN BATERAI TAMBAHAN

⚠ PERINGATAN! Untuk mengurangi risiko kebakaran, cedera pribadi, dan kerusakan produk akibat hubungan arus pendek, jangan pernah merendam alat, baterai atau charger Anda dalam cairan atau membiarkan cairan mengalir di dalamnya. Cairan korosif atau konduktif, seperti air laut, bahan kimia industri tertentu, dan produk pemutih atau yang mengandung pemutih, dan sebagainya, dapat menyebabkan hubungan arus pendek.

RISIKO RESIDU

Bahkan ketika produk digunakan seperti yang ditentukan, masih tidak mungkin untuk sepenuhnya menghilangkan faktor risiko residual tertentu. Bahaya mungkin timbul dalam penggunaan produk, dan operator harus memberikan perhatian khusus untuk menghindari hal-hal berikut:

- cedera yang disebabkan oleh vibrasi Pegang produk dengan menggunakan tuas yang disediakan dan batasi waktu kerja dan paparan.
- Berada di lingkungan yang bising dapat menyebabkan gangguan pendengaran. Gunakan pelindung telinga dan batasi paparan.
- Cedera akibat terbang serpihan Gunakan pelindung mata, celana panjang tebal, sarung tangan dan alas kaki yang kuat setiap saat.

KONDISI PENGGUNAAN KHUSUS

Produk ini dimaksudkan hanya untuk penggunaan di luar ruangan oleh seorang operator yang berdiri.

Produk ini dirancang untuk melakukan penepian di sepanjang permukaan yang keras, seperti trotoar, jalan masuk, hamparan bunga, trotoar, dan area serupa.

Jangan menggunakan produk pada atau di dekat permukaan berkerikil.

Bidang pemotongan harus hampir paralel dengan permukaan tanah saat melakukan pemangkasan.

Produk ini tidak untuk digunakan untuk memotong atau memangkas tanaman pagar, semak-semak, atau tumbuhan lain di mana bidang pemotongan tidak pada atau setinggi permukaan tanah.

Jangan gunakan produk ini selain penggunaan normal yang telah dinyatakan.

PENGOPERASIAN

Hindari melakukan penepian pada tanah/rumput basah. Pelindung mata pisau dapat tersumbat dan menyebabkan dampak yang tidak terduga. Jika pelindung mata pisau tersumbat, hentikan produk, keluarkan baterai, dan bersihkan serpihan dari pelindung mata pisau.

Genggam produk dengan kuat menggunakan tangan kanan pada gagang belakang dan tangan kiri pada gagang depan. Berdirilah selalu di balik pelindung. Pegang produk dalam posisi yang nyaman dengan pegangan belakang kira-kira setinggi pinggul.

Gerakkan produk di sepanjang permukaan, berhati-hatilah untuk menghindari kontak dengan benda keras. Gunakan girg (ridge) mata pisau untuk menyelaraskan mata pisau dengan permukaan bertepian.

Dorong produk dengan kecepatan stabil. Jika mata pisau mulai rontok, perlambat laju pemotongan. Jangan mendorong paksa mata pisau ke dalam tanah.

BATERAI

Paket baterai yang belum digunakan selama beberapa waktu harus diisi kembali dayanya sebelum digunakan.

Suhu yang melebihi 50°C (122°F) akan mengurangi kinerja paket baterai. Hindari paparan berkepanjangan terhadap panas atau sinar matahari (risiko panas berlebihan).

Kontak pada pengisi daya dan paket baterai harus dijaga kebersihannya.

Untuk masa pemakaian optimal, paket baterai harus diisi dayanya hingga penuh setelah digunakan.

Untuk memaksimalkan masa pemakaian baterai, lepaskan paket baterai dari pengisi daya setelah terisi sepenuhnya.

Untuk penyimpanan paket baterai lebih dari 30 hari:

- Simpan paket baterai jika suhu berada di bawah 27°C dan jauhkan dari kelembapan.
- Simpan paket baterai dalam kondisi terisi dayanya 30% - 50%.
- Jika penyimpanan paket baterai mencapai enam bulan, isi daya baterai seperti biasa.

PERLINDUNGAN KEMASAN BATERAI

Unit baterai memiliki perlindungan beban berlebih yang melindunginya dari beban berlebih dan memastikan masa pakai yang lama.

Di bawah tekanan ekstrim, elektronik baterai akan mematikan produk secara otomatis. Untuk menyalakan kembali, matikan produk dan nyalakan kembali. Jika mesin tidak dapat dihidupkan kembali, paket baterai mungkin telah benar-benar habis. Dalam hal ini, isi ulang paket baterai.

MENGANGKUT BATERAI LITIU

Baterai litium-ion tunduk pada persyaratan Legisiasi Barang Berbahaya.

Pengangkutan baterai ini harus dilakukan sesuai regulasi dan peraturan daerah, nasional, dan internasional.

- Pengguna dapat membawa baterai di jalan tanpa peraturan lebih lanjut.
- Pengangkutan komersial baterai Litium-ion oleh pihak ketiga tunduk pada peraturan Barang Berbahaya. Persiapan pengangkutan dan pengangkutan harus dilakukan oleh orang yang terlatih dan prosesnya harus didampingi oleh pakar yang terkait.

Ketika mengangkut baterai:

- Pastikan bahwa terminal kontak baterai terlindungi dan terisolasi untuk mencegah korsleting.
- Pastikan wadah baterai sudah dikencangkan agar tidak terpengaruh oleh pergerakan di dalam pengemasannya.
- Jangan mengangkut baterai yang retak atau bocor.

Tanyakan kepada perusahaan pengiriman untuk memperoleh pemberitahuan lebih lanjut.

PEMELIHARAAN

Slot ventilasi produk tidak boleh tertutup sepanjang waktu.

Perbaikan membutuhkan kehati-hatian ekstra dan pengetahuan, dan harus dilakukan hanya oleh seorang teknisi yang memenuhi syarat Servis produk hanya pada pusat layanan resmi. Ketika memperbaiki, gunakan hanya suku cadang asli.

Matikan dan lepaskan baterai sebelum melakukan perawatan atau pembersihan.

Anda hanya dapat melakukan penyesuaian atau perbaikan seperti dijelaskan dalam manual ini. Untuk perbaikan lain, hubungi agen layanan resmi.

Setelah penggunaan, bersihkan produk dengan kain yang halus dan kering. Bagian manapun yang rusak atau aus harus diperbaiki sebagaimana mestinya atau diganti oleh pusat layanan resmi.

Sering-seringlah memeriksa semua mur, baut, dan sekrup untuk memastikan produk berada dalam kondisi kerja yang aman.

Gunakan hanya aksesoris dan suku cadang MILWAUKEE. Jika komponen yang belum dijelaskan harus diganti, hubungi salah satu dari pusat layanan MILWAUKEE kami (lihat daftar alamat layanan/garansi kami).

Jika diperlukan, gambar pecahan komponen dapat dipesan. Sebutkan tipe mesin dan sepuluh digit nomor yang tertera pada label dan pesanlah gambarnya pada agen layanan setempat.

SIMBOL



PERHATIAN! PERINGATAN! BAHAYA!



Baca petunjuk dengan cermat sebelum memulai menggunakan produk.



Lepaskan paket baterai sebelum memulai pekerjaan apa pun pada produk.



Pakailah pelindung telinga! Selalu pakai kacamata goggle saat menggunakan produk ini.



Pakai sarung tangan!



Selalu gunakan pakaian dan sepatu pelindung.



Pastikan pengamat/penonton berada pada jarak aman dari produk ini.



Mata pisau pemotongan yang berputar



Objek yang terlempar



Arah rotasi mata pisau



Jangan gunakan atau meninggalkan produk di bawah hujan.



BAHAYA! Hindari benturan mata pisau selama penggunaan.



Tingkat daya suara terjamin yang ditunjukkan pada label ini adalah 96 dB(A).



Jangan membuang alat-alat listrik dan kemasan baterai bersama-sama dengan sampah rumah tangga. Peralatan listrik dan baterai yang telah mencapai akhir masa pakainya harus dikumpulkan secara terpisah dan dikembalikan ke fasilitas daur ulang yang kompatibel terhadap lingkungan. Tanyakan kepada pihak berwenang atau peritel setempat mengenai daur ulang dan titik pengumpulan.

n_0 Laju gergaji tanpa beban

V Volt

== Arus Searah



