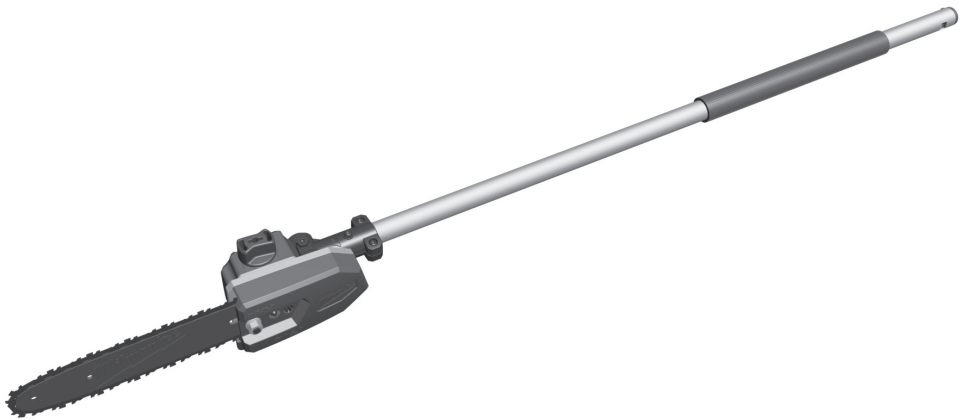


Milwaukee™

Nothing but **HEAVY DUTY.™**



M18 FOPH-CSA



User Manual

操作指南

操作指南

사용시 주의사항

คู่มือการใช้

Buku Petunjuk Pengguna

The illustration shows the application head M18 FOPH-CSA connected to the Milwaukee powerbase M18 FOPH-0. This application head may only be operated in connection with the powerbase shown in this manual.

Depending on the equipment package, you have purchased various application heads. Other application heads and powerbases can be purchased separately.

圖示顯示連接到MILWAUKEE動力頭M18 FOPH-CSA 的快拆配件 M18 FOPH-0。本應用頭只能與本說明書中顯示的動力頭一起使用。

根據設備的包裝，您購買了各種快拆配件。其他快拆配件和動力頭可單獨購買。

图示显示连接到美沃奇多功能主机M18 FOPH-CSA的应用头M18 FOPH-0。本应用头只能与本说明书中显示的多功能主机一起使用。

根据设备的包装，您购买了各种应用头。其他应用头和多功能主机可单独购买。

다음 그림에는 MILWAUKEE 파워베이스 M18 FOPH-CSA에 연결된 애플리케이션 헤드 M18 FOPH-LTA가 제시되어 있습니다. 이 애플리케이션 헤드는 본 매뉴얼에 제시된 파워베이스와 연결되어 있는 상태에서에만 조작할 수 있습니다.

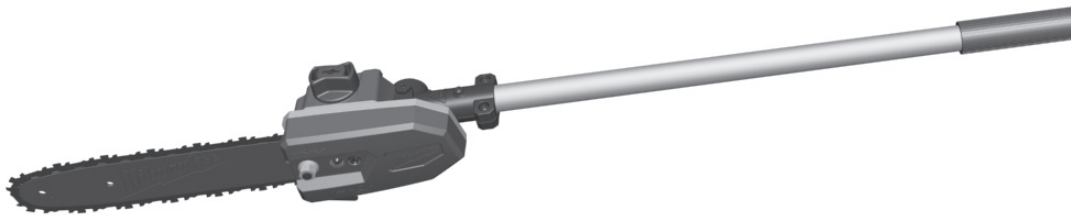
장비 패키지에 따라 애플리케이션 헤드가 다양할 수 있습니다. 다른 애플리케이션 헤드와 파워베이스는 별도로 구입할 수 있습니다.

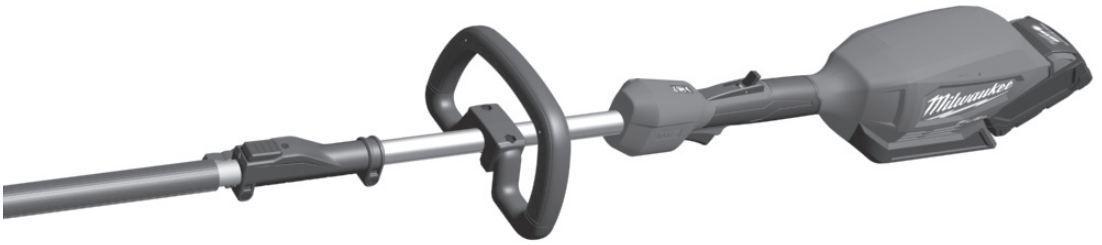
ภาพประกอบแสดงหัวตัดรุ่น M18 FOPH-CSA ที่เชื่อมต่อกับชุดส่งกำลัง MILWAUKEE รุ่น M18 FOPH-0 หัวตัดนี้จะทำงานเมื่อเชื่อมต่อกับชุดส่งกำลังตามที่แสดงไว้ในคู่มือนี้เท่านั้น

อุปกรณ์ของคุณมาพร้อมกับหัวตัดหลากหลายแบบ โดยขึ้นอยู่กับรุ่น อุปกรณ์ที่คุณซื้อ หัวตัดและชุดส่งกำลังแบบอื่นๆ สามารถซื้อโดยแยกกันได้

Gambar berikut menunjukkan head perangkat M18 FOPH-CSA yang terhubung dengan powerbase MILWAUKEE M18 FOPH-0. Head perangkat ini hanya dapat dioperasikan saat terhubung dengan powerbase yang ditunjukkan dalam manual ini.

Tergantung pada paket peralatan, Anda telah membeli berbagai head perangkat. Head perangkat dan powerbase lain dapat dibeli secara terpisah.







For the following instructions of the powerbase in connection with this application head, please refer to the separate instructions for the power base

- connecting the application head with the powerbase
- Turning on-off
- speed selection
- changing the battery

有關本快拆配件的動力頭的以下說明，請參閱動力頭的獨立說明。

- 連接快拆配件與動力頭
- 開/關
- 選擇速度
- 更換電池

有关本应用头的多功能主机的以下说明，请参阅多功能主机的独立说明。

- 连接应用头与多功能主机
- 开/关
- 选择速度
- 更换电池

이 애플리케이션 헤드와 함께 파워베이스에 대한 설명서 파워베이스를 위한 별도의 설명서를 참고하십시오.

- 애플리케이션 헤드와 파워베이스 연결
- 전원 켜기/끄기
- 속도 선택
- 배터리 교체

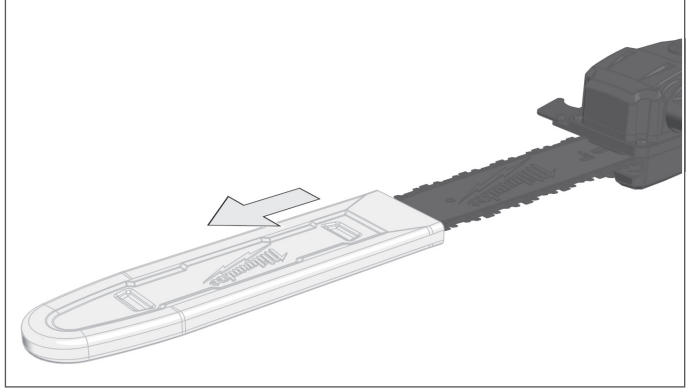
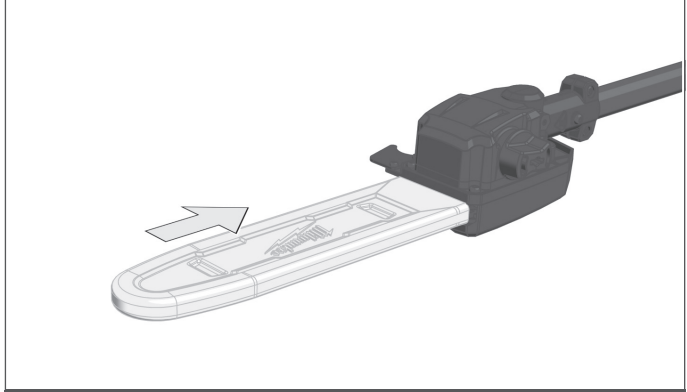
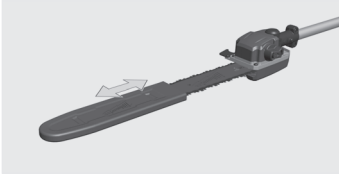
สำหรับคำแนะนำในการเชื่อมต่อชุดส่งกำลังกับหัวตัดนี้ ให้ดูที่คำแนะนำที่แยกส่วนกันสำหรับชุดส่งกำลัง

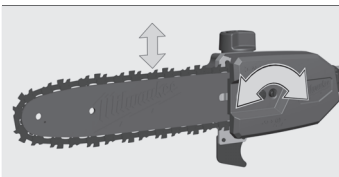
- การเชื่อมต่อหัวตัดเข้ากับชุดส่งกำลัง
- การเปิด/ปิดเครื่อง
- การเลือกความเร็ว
- การเปลี่ยนแบตเตอรี่

Untuk instruksi powerbase berikut terkait dengan head perangkat ini, lihat instruksi terpisah untuk powerbase.

- menghubungkan head perangkat dengan powerbase
- menyalakan-mematikan
- pilihan kecepatan
- mengganti baterai







Chain Tension Adjustment

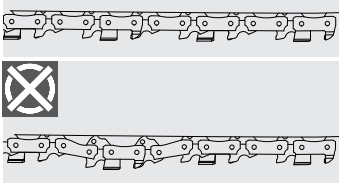
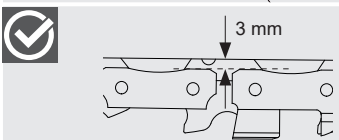
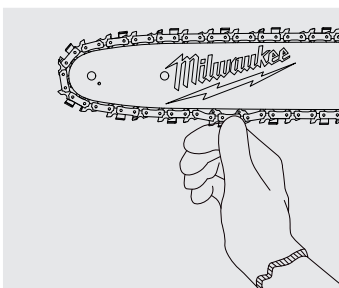
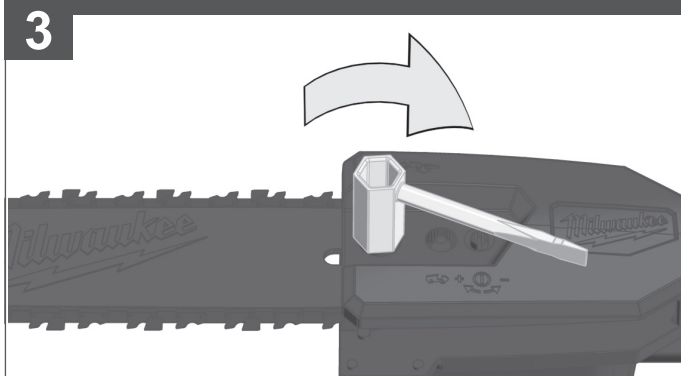
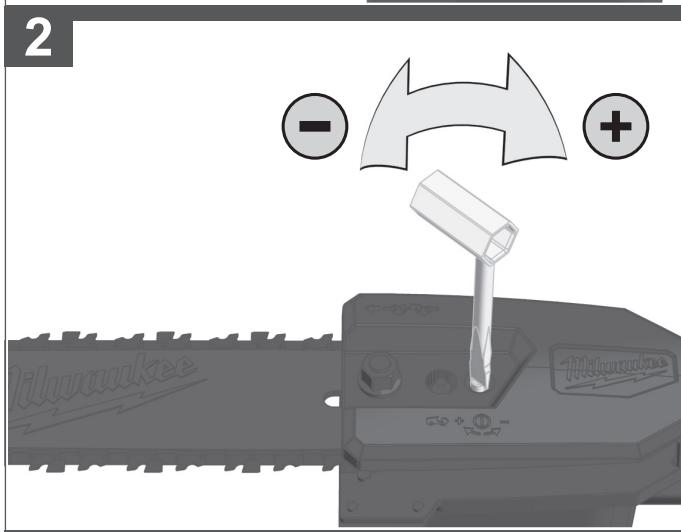
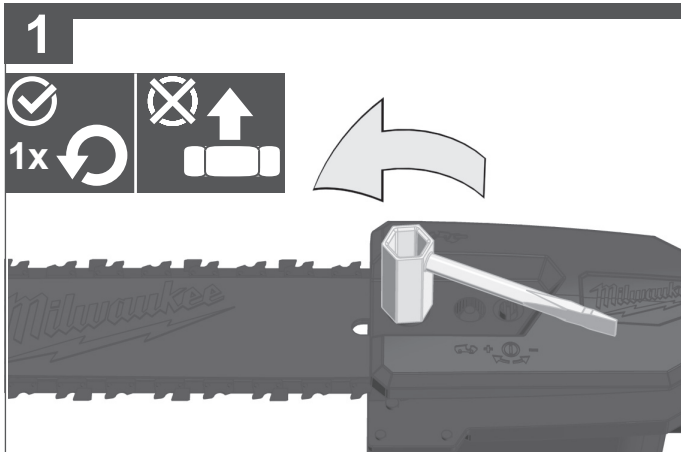
鏈條張力調整

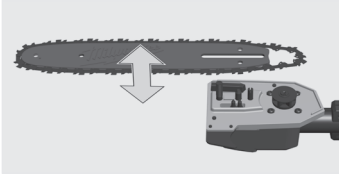
链条张力调整

체인 장력 조절

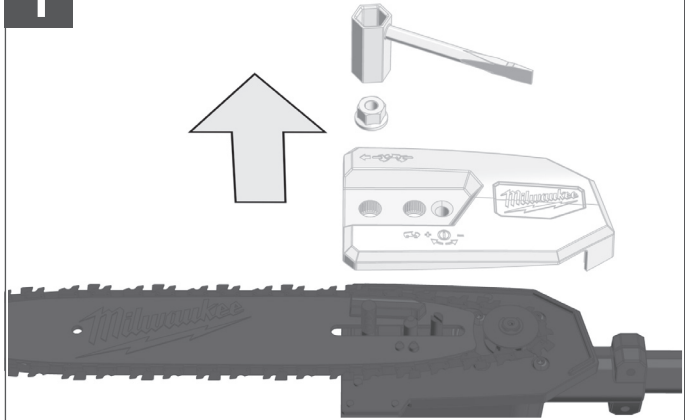
การปรับความตึงของโซ่เลื่อย

Penyesuaian Tegangan rantai

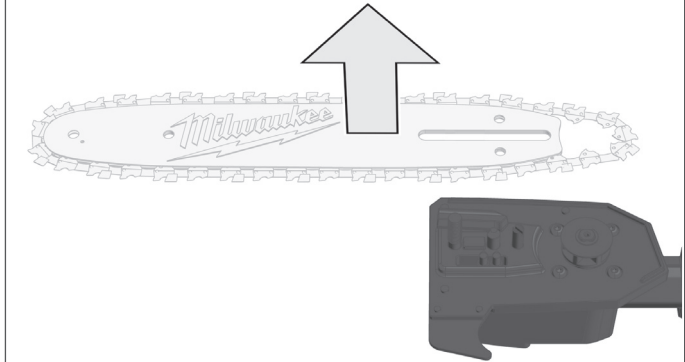




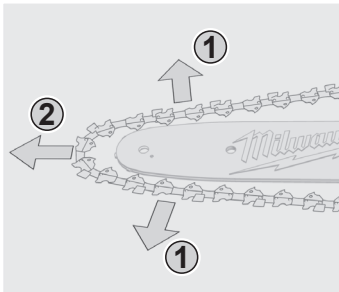
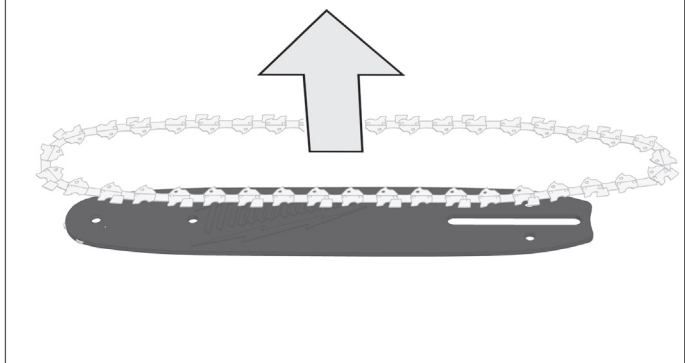
1

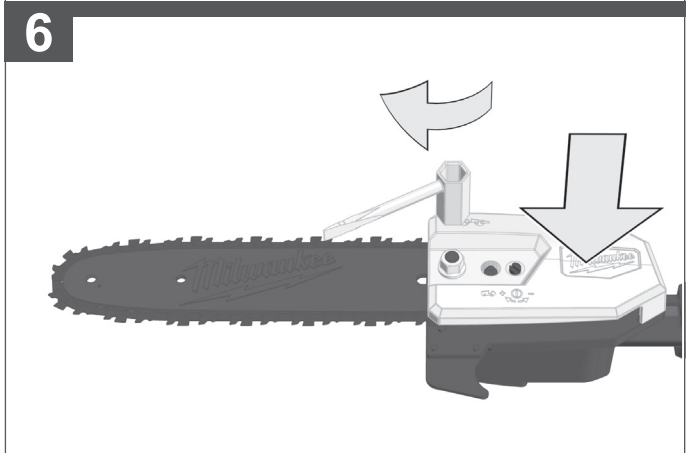
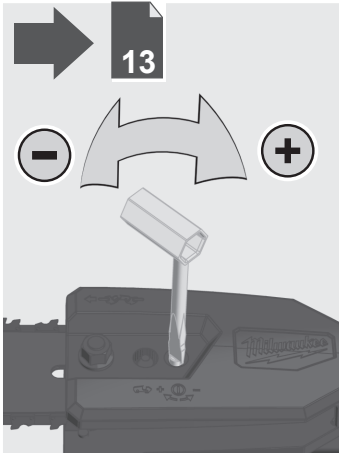
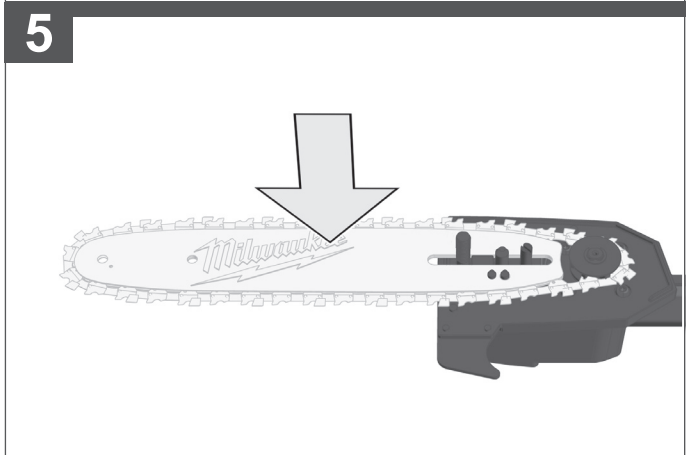
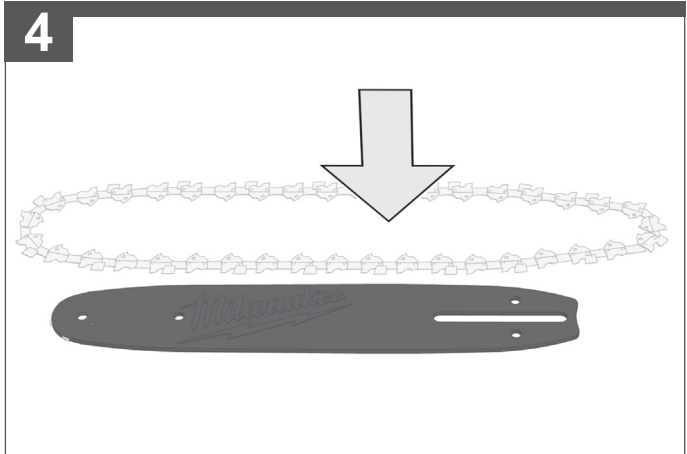
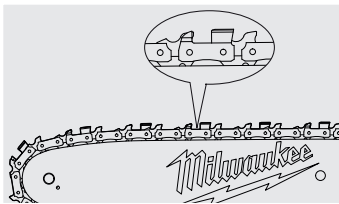
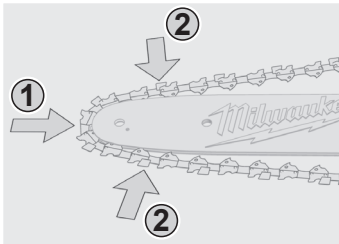


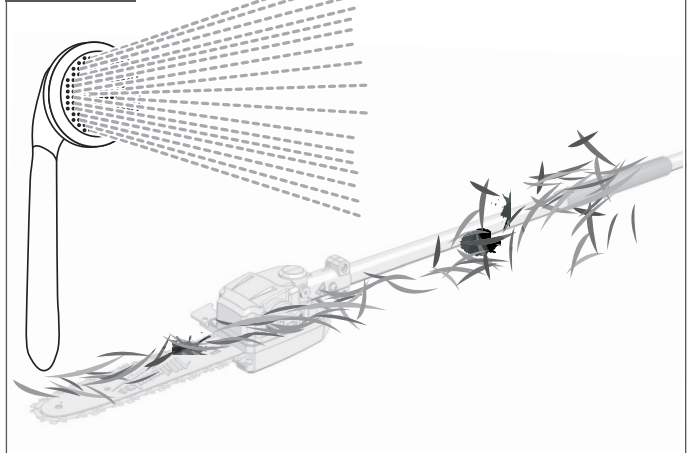
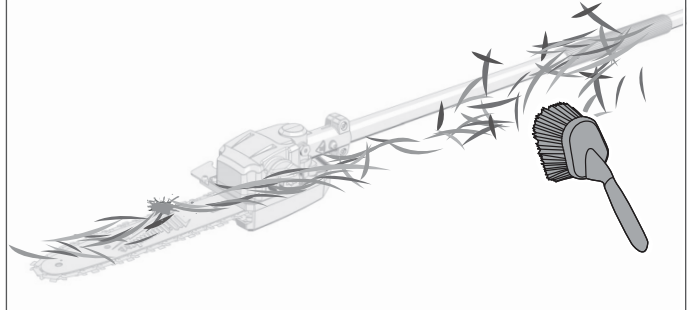
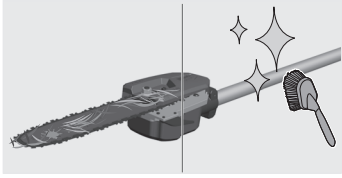
2

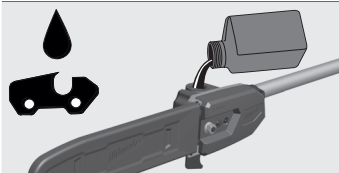


3









If level is less than 1/4, then refill chain oil.

如果低於1/4的水平，則須重新加鏈條油。

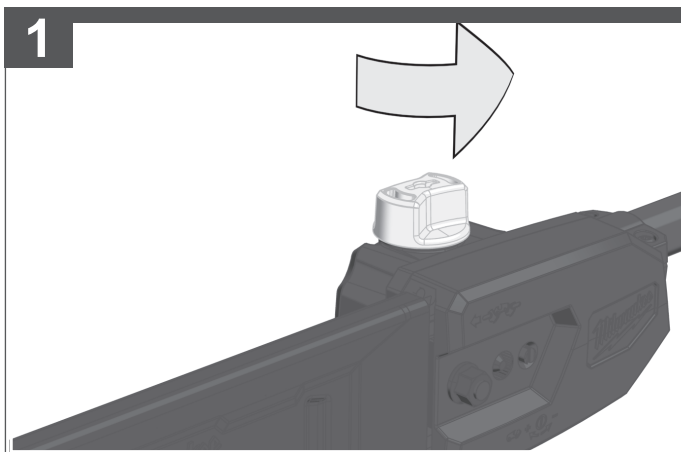
如果低于1/4的水平，则须重新加链条油。

레벨이 1/4 미만일 때, 체인 오일을 보충하십시오.

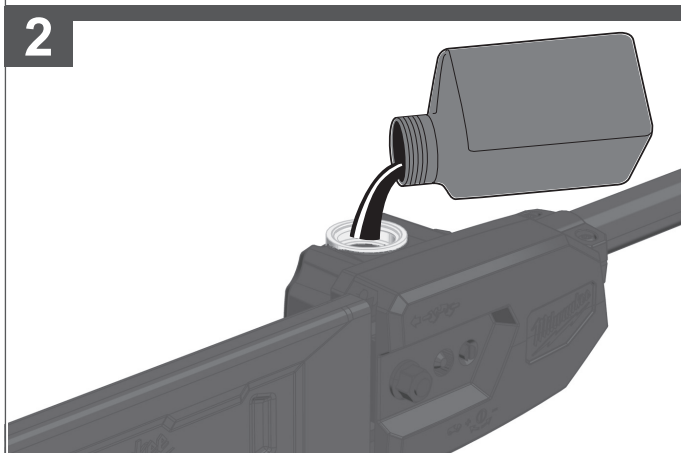
ถ้าระดับน้ำมันต่ำกว่า 1/4 ให้เติมน้ำมันหล่อลื่นโซ่เสีย

Jika isi oli kurang dari 1/4, lakukan pengisian ulang minyak rantai.

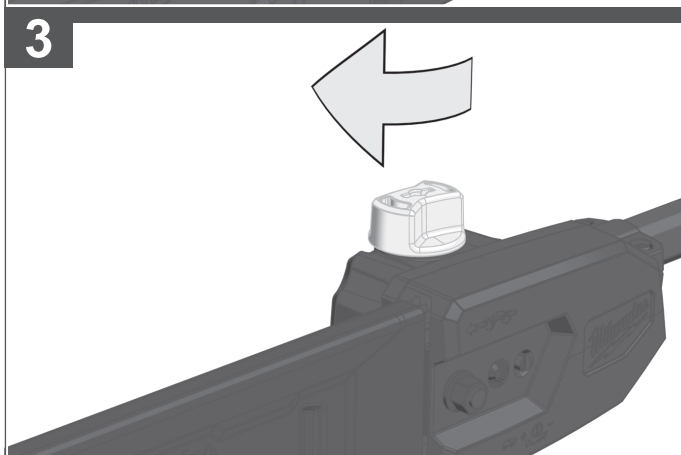
1

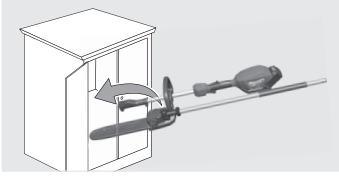


2

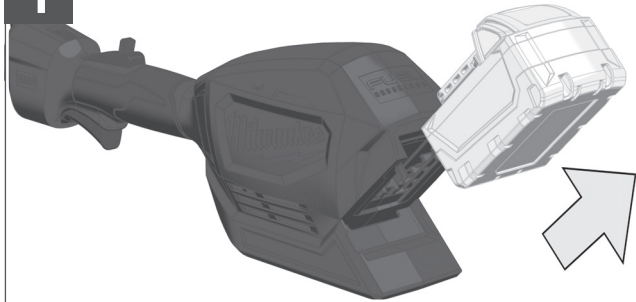


3

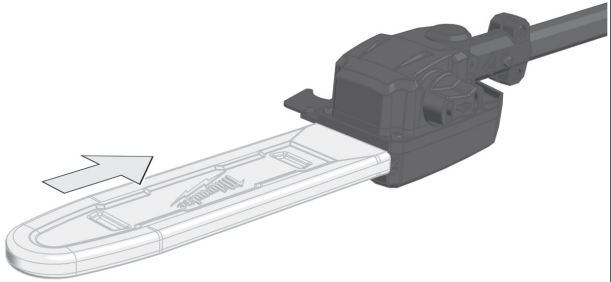




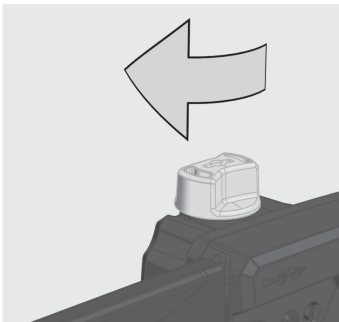
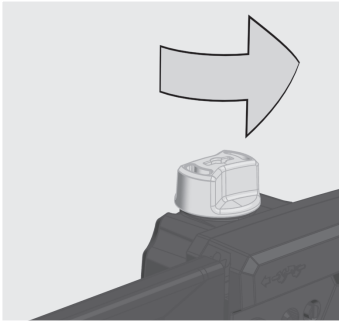
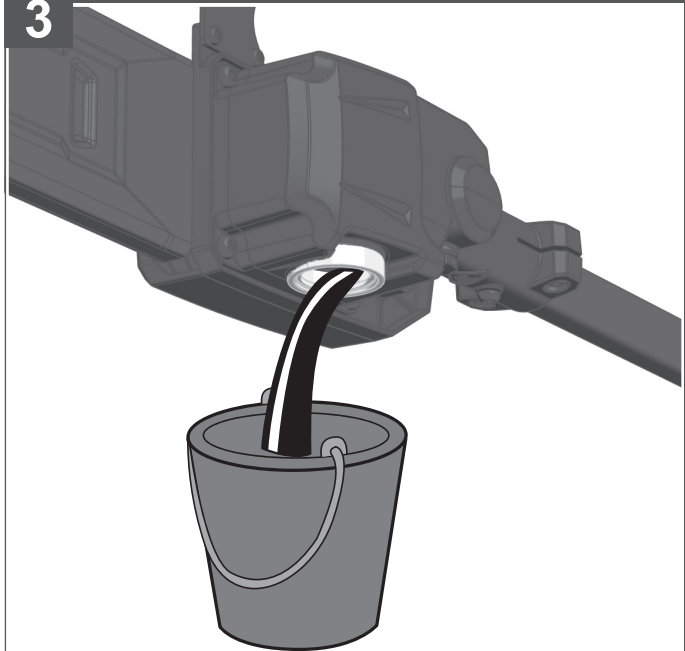
1

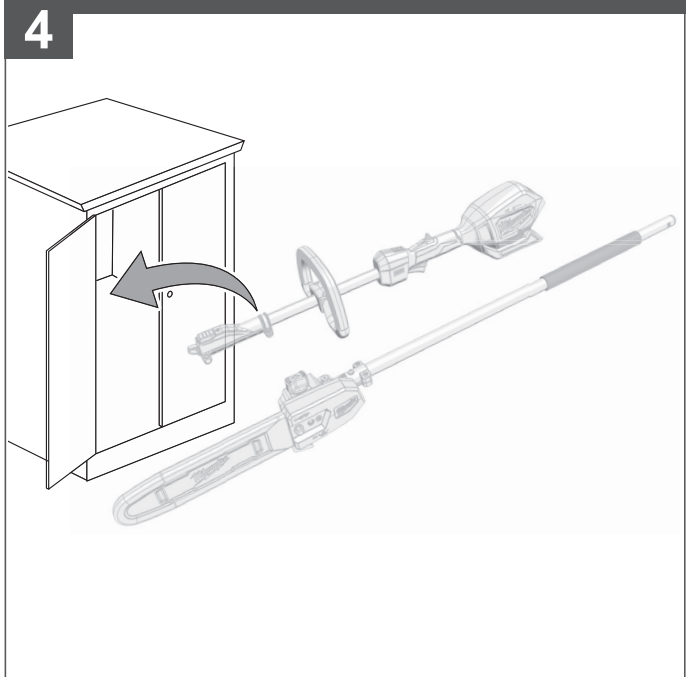
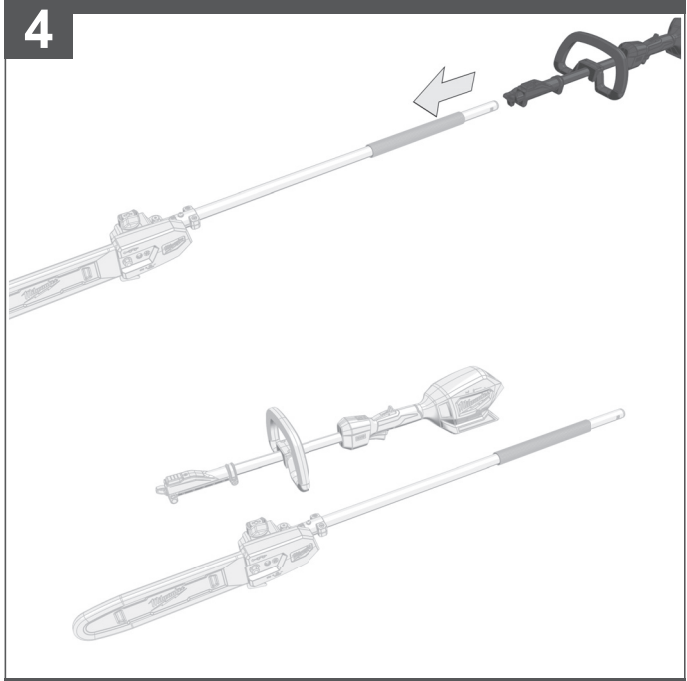
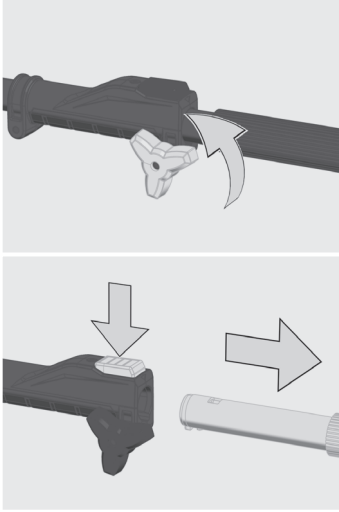


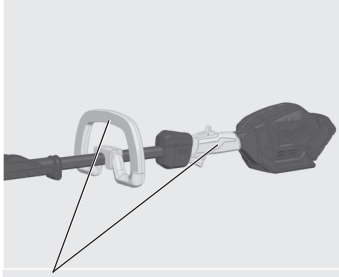
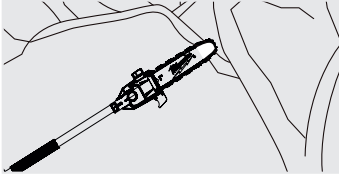
2



3







Handle (insulated gripping surface)

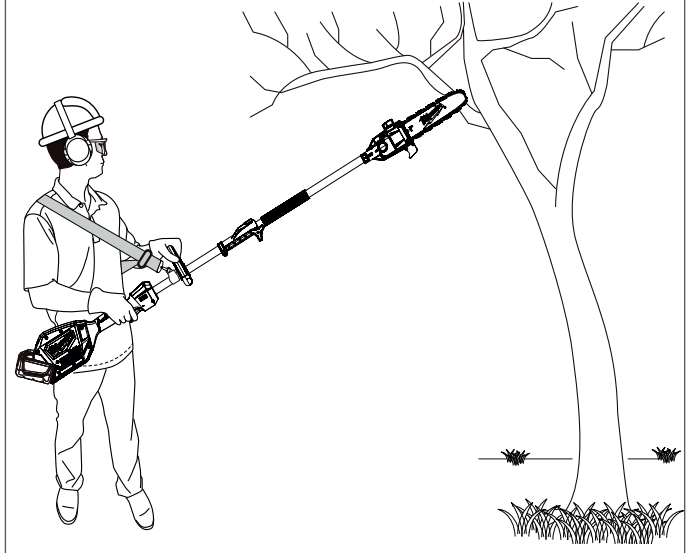
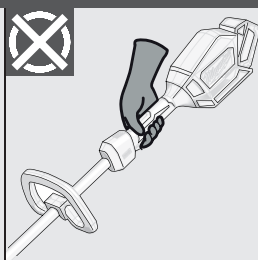
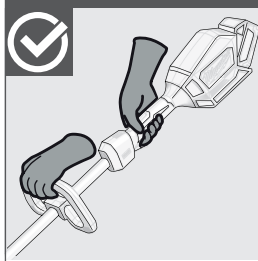
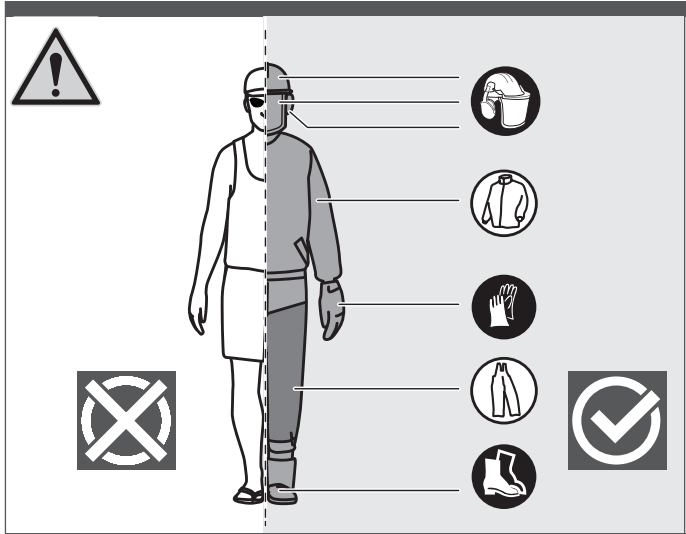
把手 (絶縁の握持表面)

把手 (絶縁の握持表面)

손잡이(절연 그립 표면)

มือจับ (พื้นผิวจับกันความร้อน)

Gagang (permukaan genggam berinsulasi)





15 m minimum distance to electrical power lines and to other persons

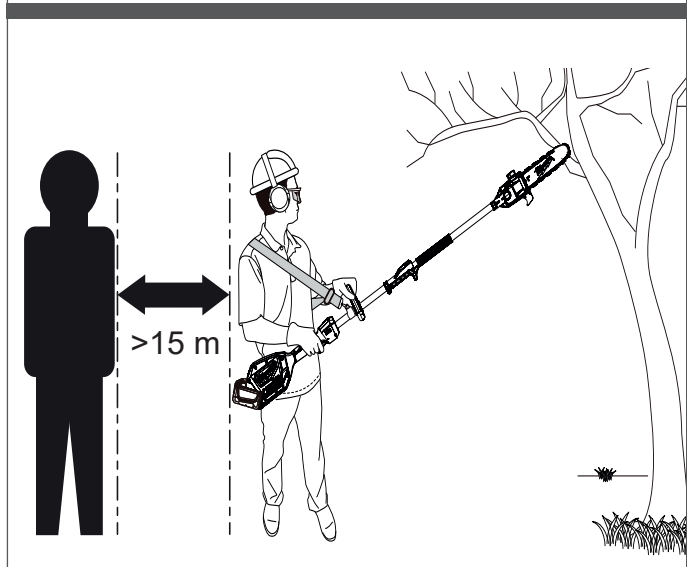
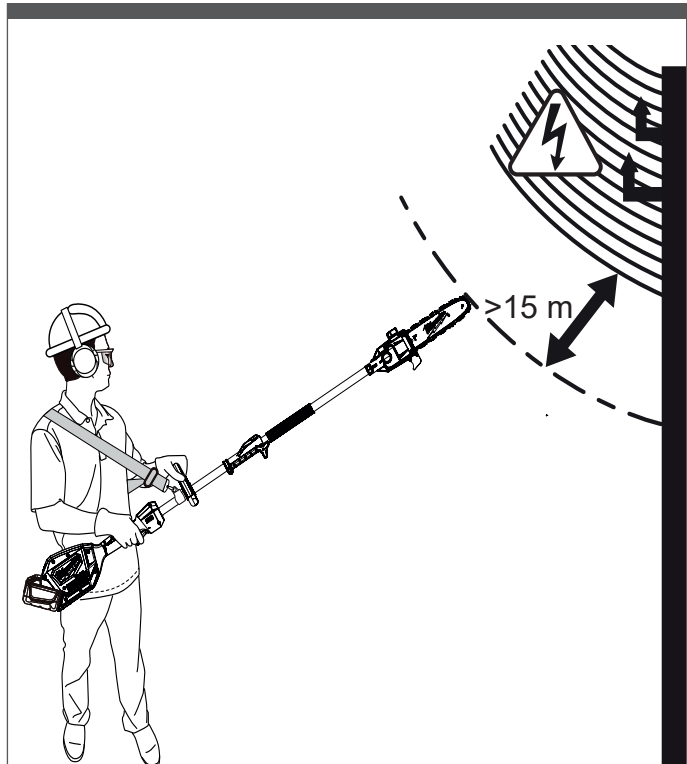
距離電力線跟其他人的最少距離為 15米

距离电力线跟其他人的最少距离为 15米

전력선과 다른 사람과의 최소 거리는 15m입니다.

ระยะห่างขั้นต่ำจากสายส่งไฟฟ้าและบุคคลอื่นๆ อยู่ที่ 15 ม.

Jarak ke saluran listrik dan orang lain minimal 15m





Do not fell trees.

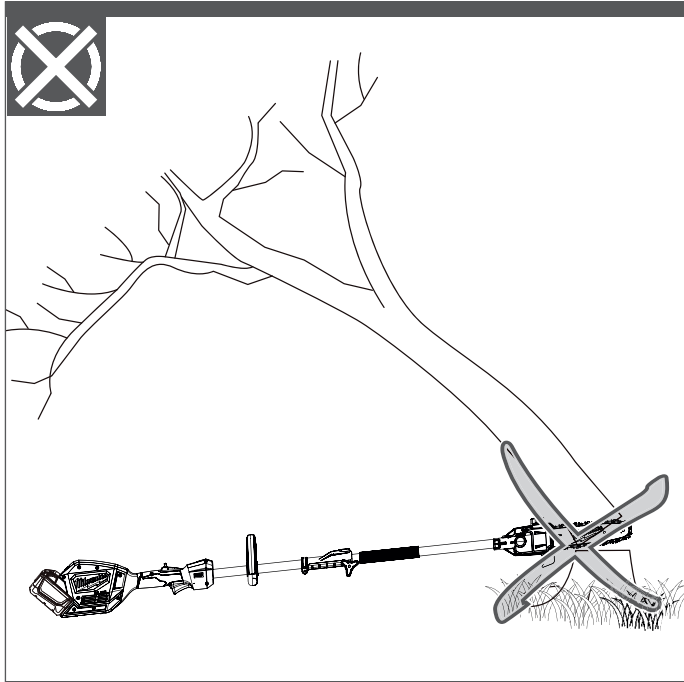
不要砍樹。

不要砍樹。

나무를 넘어뜨리지 마십시오.

อย่าตัดต้นไม้โค่นลงมา

Jangan menebang pohon.



Do not work on ladder.

不要在梯子上工作。

不要在梯子上工作。

사다리 위에서 작업하지 마십시오.

อย่าทำงานบนบันได

Jangan bekerja sambil berdiri pada tangga.





Saw blade must be larger than wood.

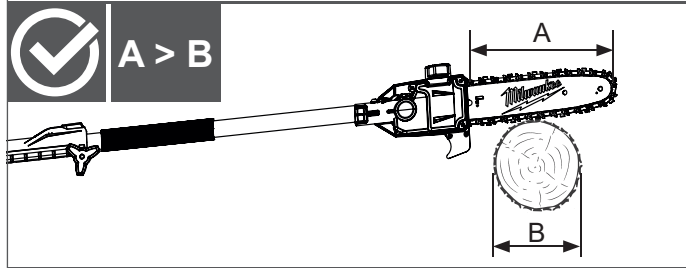
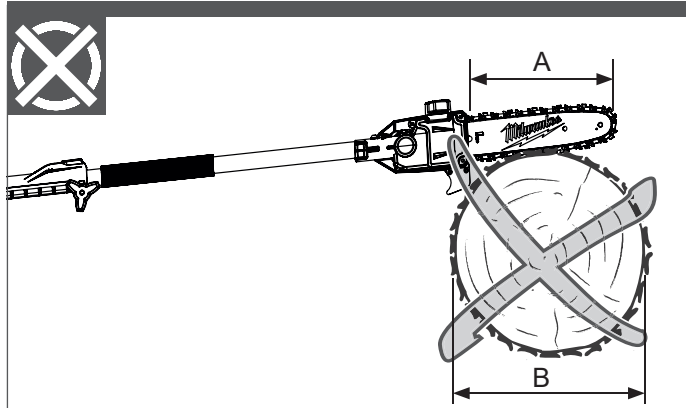
鋸片必須比木頭大。

鋸片必須比木頭大。

톱날은 목재보다 커야합니다.

ใบเลื่อยจะต้องมีขนาดใหญ่กว่ากิ่งไม้

Bilah gergaji harus lebih besar daripada kayu.



Use caution when sawing spring poles—for information see text section.

鋸切彈性樹枝時要小心 - 有關信息，請參閱文字部分。

鋸切彈性樹枝時要小心 - 有關信息，請參閱文字部分。

탄력성 있는 나무를 자를 때, 주의하십시오. 자세한 내용은 텍스트 섹션을 참조하십시오.

ใช้ความระมัดระวังในขณะที่ตัดโดยใช้ตามแบบสปริง ดูข้อมูลได้ในส่วนข้อความที่เกี่ยวข้อง

Berhati-hatilah saat menggergaji pohon yang melengkung — untuk informasi, lihat bagian teks.





Cutting sequence when pruning

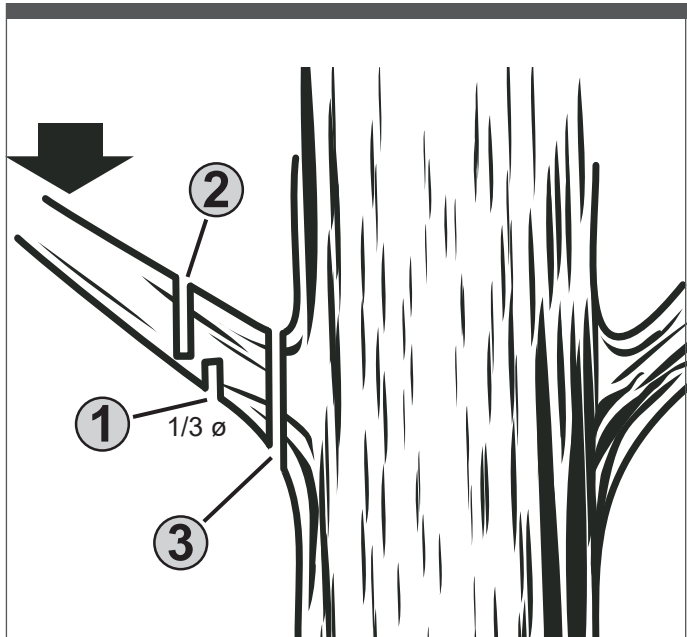
修剪時的切割順序

修剪时的切割顺序

전정 작업할 때 절단 순서

ลำดับการตัดในการตัดเล็ม

Urutan pemotongan saat pemangkasan



Cutting sequence when limbing

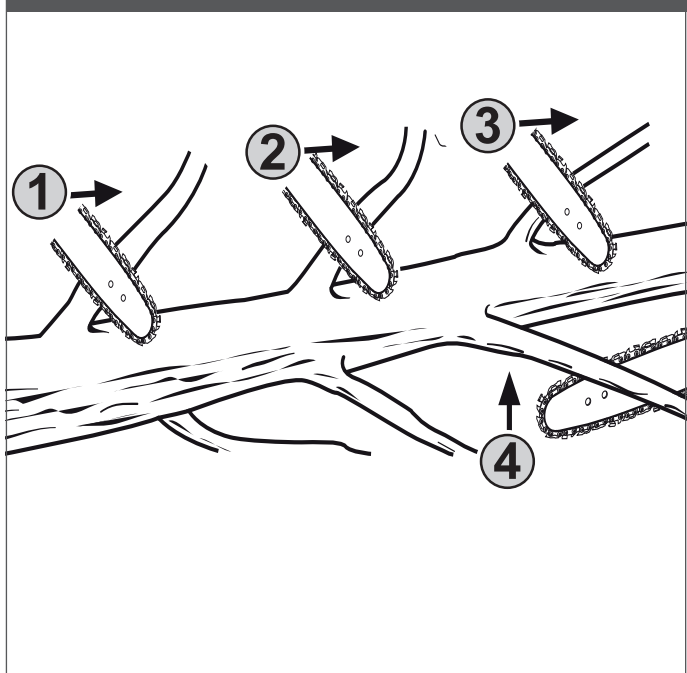
砍伐時的切割順序

砍伐时的切割顺序

가지치기 할 때 절단 순서

ลำดับการตัดในการตัดแต่งกิ่ง

Urutan pemotongan saat pemangkasan dahan





TECHNICAL DATA**M18 FOPH-CSA**

No-load speed, low speed	0–3700 min ⁻¹
No-load speed, high speed	0–4600 min ⁻¹
No-load chain speed	8.6 m/s
Bar length	254 mm
Usable cutting length	230 mm
Chain oil tank capacity	140 ml
Weight according EPTA-Procedure 01/2014	1.94 kg

Noise/vibration information

A-weighted noise levels determined according to EN ISO 22868 / EN ISO 4871

Sound pressure level (Uncertainty K=3 dB(A))	85 dB(A)
Sound power level (Uncertainty K=3 dB(A))	95 dB(A)

Wear ear protectors!

Total vibration values (vector sum in the three axes) determined according to EN 22867

Vibration a_h	1.54 m/s ²
Uncertainty K	0.65 m/s ²

For technical data and list of powerbases that can be used for a particular application head, refer to the operating instructions of the application head.

WARNING

The vibration emission level given in this information sheet has been measured in accordance with a standardised test given in EN ISO 22867 and may be used to compare one product with another. It may be used for a preliminary assessment of exposure. The declared vibration emission level represents the main applications of the product. However if the product is used for different applications, with different accessories or poorly maintained, the vibration emission may differ. This may significantly increase the exposure level over the total working period.

An estimation of the level of exposure to vibration should also take into account the times when the product is turned off or when it is running but not actually doing the job. This may significantly reduce the exposure level over the total working period.

Identify additional safety measures to protect the operator from the effects of vibration such as: maintaining the product and the accessories, keeping the hands warm, and organising work patterns.

⚠ WARNING Read all safety warnings, instructions, illustrations and specifications provided with this product. Failure to follow all instructions listed below may result in electric shock, fire, and/or serious injury.

Save all warnings and instructions for future reference.

⚠ CORDLESS POLE SAW SAFETY WARNINGS

Keep all parts of the body away from the product when using the product. Before you start the product, make sure that the product is not contacting anything. A moment of inattention while operating the product may cause entanglement of your clothing or body with the product.

Always hold the product with your right hand on the rear handle and your left hand on the front handle.

Holding the product with a reversed hand configuration increases the risk of personal injury and should never be done.

Hold the product by insulated gripping surfaces only because the product may contact hidden wiring. Saw chains contacting a "live" wire may make exposed metal parts of the chain saw "live" and could give the operator an electric shock.

Wear eye protection. Further protective equipment for

hearing, head, hands, legs, and feet is recommended. Adequate protective equipment will reduce personal injury from flying debris or accidental contact with the saw chain.

Do not use the product on a tree, on a ladder, from a rooftop, or any unstable support. Operation of the product in this manner could result in serious personal injury.

Always keep proper footing and operate the product only when standing on a fixed, secure, and level surface. Slippery or unstable surfaces may cause a loss of balance or control of the product.

When cutting a limb that is under tension, be alert for spring back. When the tension in the wood fibres is released, the spring-loaded limb may strike the operator and/or throw the product out of control.

Use extreme caution when cutting brush and saplings. The slender material may catch the saw chain and be whipped toward you or pull you off balance.

Carry the product by the front handle with the product turned off and away from your body. When transporting or storing the product, always fit the guide bar cover. Proper handling of the product will reduce the likelihood of accidental contact with the moving saw chain.

Follow instructions for lubricating, chain tensioning, and changing the bar and chain. Improperly tensioned or lubricated chain may either break or increase the chance for kickback.

Keep handles dry, clean, and free from oil and grease. Greasy and oily handles are slippery; causing loss of control.

Cut wood only. Do not use the product for purposes not intended. For example: do not use product for cutting metal, plastic, masonry, or non-wood building materials. Use of the product for operations different than intended could result in a hazardous situation.

Do not attempt to fell a tree. Serious injury could occur to the operator or bystanders while felling a tree.

Follow all instructions when clearing jammed material and storing or servicing the product. Make sure the switch is off and the battery pack is removed. Unexpected operation of the product while clearing jammed material or servicing may result in serious personal injury.

Causes and operator prevention of kickback:

- Kickback may occur when the nose or tip of the guide bar touches an object, or when the wood closes in and pinches the saw chain in the cut.
- Tip contact in some cases may cause a sudden reverse reaction, kicking the guide bar up and back towards the operator.
- Pinching the saw chain along the top of the guide bar may push the guide bar rapidly back towards the operator.

Either of these reactions may cause you to lose control of the product which could result in serious personal injury. Do not rely exclusively upon the safety devices built into your product.

As a user of this product, you should take several steps to keep your cutting jobs free from accident or injury.

Kickback is the result of product misuse and/or incorrect operating procedures or conditions and can be avoided by taking proper precautions as given below:

- **Maintain a firm grip, with thumbs and fingers encircling the product handles, with both hands on the product and position your body and arm to allow you to resist kickback forces.** Kickback forces can be controlled by the operator if proper precautions are taken. Do not let go of the product.
- **Do not overreach and do not cut above shoulder height.** This helps prevent unintended tip contact and enables better control of the product in unexpected situations.
- **Only use replacement bars and chains specified by the manufacturer.** Incorrect replacement guide bars and chains may cause chain breakage and/or kickback.
- **Follow the manufacturer's sharpening and maintenance instructions for the saw chain.** Decreasing the depth gauge height can lead to increased kickback.

National regulations may restrict the use of the product. Take note of the local regulations.

ADDITIONAL SAFETY INSTRUCTIONS

It is recommended to cut logs on a sawhorse or cradle when operating the product for the first time.

Ensure all guards, handles, and spiked bumper are properly fitted and are in good condition.

Persons using the product should be in good health. The product is heavy, so the operator must be physically fit.

The operator should be alert, have a good vision, mobility,

balance, and manual dexterity. If there is any doubt, do not use the product.

Do not start using the product until you have a clear work area, secure footing, and a planned retreat path away from a falling tree. Beware of the emission of lubricant mist and saw dust. Wear a mask or respirator if required.

Do not cut vines and/or small undergrowth (less than 75 mm in diameter).

Always hold the product with both hands during operation. Use a firm grip with thumbs and fingers encircling the product handles. Right hand must be on the rear handle and left hand on the front handle.

Before starting the product, make sure that the product is not contacting any object.

Do not modify the product in any way or use it to power any attachments or devices not recommended by the manufacturer for your product.

There should be a first-aid kit containing large wound dressings and a means to summon attention (e.g., whistle) close to the operator. A larger, more comprehensive kit should be reasonably nearby.

An incorrectly tensioned chain can jump off the guide bar and could result in serious injury or fatality. The length of the chain depends on the temperature. Check the tension frequently.

You should get used to your new product by making simple cuts on securely supported wood. Do this whenever you have not used the product for some time. To reduce the risk of injury associated with contacting moving parts, always stop the motor, apply the chain brake, remove the battery pack, and make sure that all moving parts have come to a stop before:

- cleaning or clearing a blockage
- leaving the product unattended
- installing or removing attachments
- checking, conducting maintenance, or working on the product

The size of the work area depends on the job being performed, as well as the size of the tree or work piece involved. For example, felling a tree requires a larger work area than making other cuts, i.e., bucking cuts, etc. The operator needs to be aware and in control of everything happening in the work area.

Do not cut with your body in line with the guide bar and chain. If you experience kickback, this will help prevent the chain coming into contact with your head or body.

Do not use a back-and-forward sawing motion, let the chain do the work. Keep the chain sharp and do not try to push the chain through the cut.

Do not put pressure on the product at the end of the cut. Be ready to take on the weight of the product as it cuts free from the wood. Failure to do so could result in possible serious personal injury.

Do not stop the saw in the middle of a cutting operation.

Keep the product running until it is already removed from the cut. Do not fix the on/off switch in the "on" position when using the hand-held product.

Remove the battery pack before starting any work on the product.

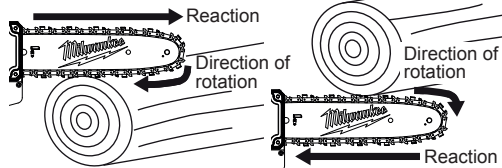
WARNING! To reduce the risk of fire, personal injury, and product damage due to a short circuit, never immerse your product, battery pack or charger in fluid or allow a fluid to flow inside them. Corrosive or conductive fluids, such as seawater, certain industrial chemicals, and bleach or bleach containing products, etc., can cause a short circuit.

Use only M18 System chargers for charging M18 System battery packs. Do not use battery packs from other systems.

Never break open battery packs and chargers and store only in dry rooms. Keep battery packs dry at all times.

Push and pull

The reaction force is always opposite to the direction the chain is moving. Thus, the operator must be ready to control the tendency for the product to pull away (forward motion) when cutting on the bottom edge of the bar and the push backwards (towards the operator) when cutting along the top edge.



Saw jammed in the cut

Stop the product and remove the battery pack. Do not try to force the chain and bar out of the cut as this is likely to break the chain, which may swing back and strike the operator. This situation normally occurs because the wood is incorrectly supported, which forces the cut to close under compression, thereby pinching the blade. If adjusting the support does not release the bar and chain, use wooden wedges or a lever to open the cut and release the product. Never try to start the product when the guide bar is already in a cut or kerf.

Skating/Bouncing

When the product fails to dig in during a cut, the guide bar can begin hopping or skidding dangerously along the surface of the log or branch, possibly resulting in the loss of control of the product. To prevent or reduce skating or bouncing, always use the product with both hands to make sure the saw chain establishes a groove for cutting. Never cut small, flexible branches or brushes with your product.

Their size and flexibility can easily cause the product to bounce towards you or bind up with enough force to cause a kickback. The best tool for that kind of work is a hand saw, pruning shears, an axe, or other hand tools.

Personal protective equipment

See page 14.

Wear a helmet at all times when operating the product. A helmet, equipped with mesh visor, can help reduce the risk of injury to the face and the head if kickback occurs. Wear ear protectors. Exposure to noise can cause hearing loss.

Good quality personal protective equipment, as used by professionals, helps reduce the risk of injury to the operator. The following items should be used when operating the product:

- **The safety helmet** should comply with EN 397 and be CE marked
- **The hearing protection** should comply with EN 352-1 and be CE marked
- **Eye and face protection** should be CE marked and comply with EN 166 (for safety glasses) or EN 1731 (for mesh visors)
- **Gloves** should comply with EN381-7 and be CE marked
- **Leg protection (chaps)** should comply with EN 381-5, be CE marked and provide allround protection
- **Chain saw safety boots** should comply with EN ISO

20345:2004 and be marked with a shield depicting a chain saw to show compliance with EN 381-3. (Occasional users may use steel toe-cap, safety boots with protective gaiters which conform to EN 381-9 if the ground is even and there is little risk of tripping or catching on undergrowth)

- **Chain saw jackets** for upper body protection should comply with EN 381-11 and be CE marked

SAFETY DEVICES

⚠ WARNING! Consequences of improper maintenance, removal or modification of safety features like the chain brake, ignition switch, hand guard (front and back), spiked bumper, chain catcher, guide bar, low kick-back saw chain may cause the safety features to not function correctly, thus increasing the potential for serious injury.

Low kick-back saw chain

A low-kick-back saw chain helps to reduce the possibility of a kickback event. The rakers (depth gauges) ahead of each cutter can minimize the force of a kick-back reaction by preventing the cutters from digging in too deeply. Use only replacement guide bar and chain combinations that are recommended by the manufacturer. As saw chains are sharpened, they lose some of the low kickback qualities and extra caution is required. For your safety, replace saw chains when cutting performance decreases.

Spiked Bumper

The integral bumper spike may be used as a pivot when making a cut. It helps to keep the body of the product steady while cutting. When cutting, push the product forward until the spikes dig into the edge of the wood, then by moving the rear handle up or down in the direction of the cutting line, it can help ease the physical strain of cutting.

Guide Bar

Generally, guide bars with small radius tips have somewhat lower potential for kick-back. You should use a guide bar and matching chain that is just long enough for the job. Longer bars increase the risk of loss of control during sawing. Regularly check the chain tension. When cutting smaller branches (less than the full length of the guide bar), the chain is more likely to be thrown off if the tension is not correct.

INSTRUCTIONS CONCERNING THE PROPER TECHNIQUES FOR LIMBING AND CROSS-CUTTING

Understanding the forces within the wood

When you understand the directional pressures and stresses inside the wood, you can reduce the "pinches" or at least expect them during your cutting. Tension in the wood means the fibers are being pulled apart and if you cut in this area, the "kerf" or cut will tend to open as the product goes through. If a log is being supported on a sawhorse and the end is hanging unsupported over the end, tension is created on the upper surface due to the weight of the overhanging log stretching the fibers. Likewise, the underside of the log will be in compression and the fibers are being pushed together. If a cut is made in this area, the kerf will have the tendency to close up during the cut. This would pinch the blade.

Pruning (see picture section)

⚠ WARNING! If the limbs to be pruned are out of the reach of the product, hire a professional to perform the pruning. Failure to do so could result in serious personal injury.

Pruning is trimming limbs from a live tree.

- Work slowly, keeping both hands on the product with a firm

grip. Always make sure that your footing is secure and your weight is distributed evenly on both feet.

- Do not cut from a ladder; this is extremely dangerous. Leave this operation for professionals.
- During use, the right hand holding the product should not rise above chest height. Holding the product higher is difficult to control against kickback forces. When pruning trees, it is important not to make the finishing cut next to the main limb or trunk, until you have cut off the limb further out to reduce the weight. This prevents stripping the bark from the main member.
- Underbuck the branch 1/3 through for your first cut.
- Your second cut should overbuck to drop the branch off. Make your finishing cut smoothly and neatly against the main member so the bark will grow back to seal the wound.

Pull Hook

Use the pull hook to grab the trimmed branches and pull them from the tree canopy.

Limbing a tree

Limbing is the process of removing the branches from a fallen tree. When limbing, leave larger lower limbs to support the log off the ground. Remove the small limbs in one cut. Branches under tension should be cut from the bottom up to avoid binding the product.

Cutting spring poles

A spring pole is any log, branch, rooted stump, or sapling that is bent under tension by other wood so that it springs back if the wood holding it is cut or removed.

On a fallen tree, a rooted stump has a high potential of springing back to the upright position during the bucking cut to separate the log from the stump. Watch out for spring poles—they are dangerous.

WARNING! Spring poles are dangerous and could strike the operator, causing the operator to lose control of the product. This could result in severe or fatal injury to the operator. Cutting spring poles should be done by trained users.

ADDITIONAL SAFETY WARNINGS

Some regions have regulations that restrict the use of the product. Check with your local authority for advice.

Never allow children or people who are unfamiliar with the instructions to use the product. Local regulations may restrict the age of the operator.

Ensure before each use that all controls and safety devices function correctly. Do not use the product if the "off" switch does not stop the motor.

Do not wear loose-fitting clothing, short trousers, or jewellery of any kind.

Secure long hair so it is above shoulder level to prevent entanglement in moving parts.

Beware of thrown, flying, or falling objects. Keep all bystanders, children, and animals at least 15m away from the work area.

Do not use the product in poor lighting conditions. The operator requires a clear view of the work area to identify potential hazards.

Use of hearing protection reduces the ability to hear warnings (shouts or alarms). The operator must pay extra attention to what is going on in the work area.

Using similar tools nearby increases both the risk of hearing injury and the potential for other persons to enter your work

area.

Keep firm footing and balance. Do not overreach.

Overreaching can result in loss of balance and can increase the risk of kickback.

Keep all parts of your body away from any moving part.

Inspect the product before each use. Check for correct operation of all controls, including the chain brake. Check for loose fasteners. Make sure that all guards and handles are properly and securely attached. Replace any damaged parts before use.

Do not modify the product in any way or use parts and accessories that are not recommended by the manufacturer.

WARNING! If the product is dropped, suffers heavy impact, or begins to vibrate abnormally, immediately stop the product and inspect for damage or identify the cause of the vibration. Any damage should be properly repaired or replaced by a MILWAUKEE service centre.

Do not dispose of used battery packs in the household refuse or by burning them. Milwaukee distributors accept old battery packs to protect our environment. Do not store the battery pack together with metal objects (short circuit risk).

Use only M18 System chargers for charging M18 System battery packs. Do not use battery packs from other systems. Battery acid may leak from damaged battery packs under extreme load or extreme temperatures. In case of contact with battery acid, wash it off immediately with soap and water. In case of eye contact, rinse thoroughly for at least 10 minutes and immediately seek medical attention.

ADDITIONAL BATTERY SAFETY WARNINGS

⚠ WARNING! To reduce the risk of fire, personal injury, and product damage due to a short circuit, never immerse your product, battery pack, or charger in fluid or allow a fluid to flow inside them. Corrosive or conductive fluids, such as seawater, certain industrial chemicals, and bleach or bleach-containing products, etc., can cause a short circuit.

RISK REDUCTION

It has been reported that vibrations from handheld tools may contribute to a condition called Raynaud's Syndrome in certain individuals. Symptoms may include tingling, numbness, and blanching of the fingers, usually apparent upon exposure to cold. Hereditary factors, exposure to cold and dampness, diet, smoking, and work practices are all thought to contribute to the development of these symptoms. There are measures that can be taken by the operator to possibly reduce the effects of vibration:

- Keep your body warm in cold weather. When operating the unit, wear gloves to keep the hands and wrists warm.
- After each period of operation, exercise to increase blood circulation.
- Take frequent work breaks. Limit the amount of exposure per day.
- Protective gloves available from professional chain saw retailers are designed specifically for chain saw use which give protection, good grip and also reduce the effect of handle vibration. These gloves should comply with EN 381-7 and must be CE marked.

If you experience any of the symptoms of this condition, immediately discontinue use and see your physician.

⚠ WARNING! Injuries may be caused, or aggravated, by prolonged use of a tool. When using any tool for prolonged

periods, ensure you take regular breaks.

TRANSPORTATION AND STORAGE

Stop the product, remove the battery pack, and allow it to cool down before storing or transporting.

Clean all foreign materials from the product. Store the product in a cool, dry, and well-ventilated place that is inaccessible to children. Keep away from corrosive agents, such as garden chemicals and de-icing salts. Do not store the product outdoors.

For transportation in vehicles, secure the product against movement or falling to prevent injury to persons or damage to the product.

TRANSPORTING LITHIUM BATTERIES

Lithium-ion batteries are subject to the Dangerous Goods Legislation requirements.

Transportation of battery packs has to be done in accordance with local, national, and international provisions and regulations.

- The user can transport the battery packs by road without further requirements.
- Commercial transport of lithium-ion battery packs by third parties is subject to Dangerous Goods regulations. Transport preparation and transport are exclusively to be carried out by appropriately trained persons and the process has to be accompanied by corresponding experts.

When transporting battery packs:

- Ensure that battery contact terminals are protected and insulated to prevent short circuit.
- Ensure that battery pack is secured against movement within packaging.
- Do not transport battery packs that are cracked or leaking.

Check with forwarding company for further advice

RESIDUAL RISK

Even when the product is used as prescribed, it is still impossible to completely eliminate certain residual risk factors. The following hazards may arise in use and the operator should pay special attention to avoid the following:

- Injury caused by contact with the blades. Contact with the blades can cause serious injury. Keep the blade away from yourself and others. Cover it with the blade protector whenever you are not cutting.
- Injury caused by vibration. Hold the product by designated handles and restrict working time and exposure.
- Exposure to noise can cause hearing injury. Wear ear protection and limit exposure.
- Injury due to flying debris. Wear eye protection, long, heavy trousers, gloves, and substantial footwear at all times.

SPECIFIED CONDITIONS OF USE

The product is intended only for outdoor use.

The product is not suitable for felling trees.

For safety reasons, the pole saw must be adequately controlled by using two-handed operation at all times.

The product is designed for cutting branches, trunks, logs, and beams of a diameter determined by the cutting length of the guide bar. It is only designed to cut wood. It is to be used only by adults who have received adequate training on the hazards

and preventative measures/actions to be taken while using the product.

Do not use the product for any purpose not listed in the specified conditions of use. The product is not to be used for professional tree services. The product is not to be used by children or by persons not wearing adequate personal protective equipment and clothing.

WARNING! When using the product, the safety rules must be followed. For your own safety and that of bystanders, you must read and fully understand these instructions before using the product. You should attend a professionally organized safety course in the use, preventative actions, first-aid, and maintenance of chain saws. Keep these instructions safe for later use.

WARNING! Chain saws are potentially dangerous tools. Accidents involving the use of chain saws often result in loss of limbs or death. It is not just the chain saw that is the hazard. Falling branches, toppling trees, and rolling logs can all kill. Diseased or rotting timber poses additional hazards. You should assess your capability of completing the task safely. If there is any doubt, leave it to a professional tree surgeon.

Do not use this product in any other way as stated for normal use.

BATTERIES

Battery packs that have not been used for some time should be recharged before use.

Temperatures in excess of 50°C (122°F) reduce the performance of the battery pack. Avoid extended exposure to heat or sunshine (risk of overheating).

The contacts of chargers and battery packs must be kept clean. For an optimum lifetime, the battery packs have to be fully charged after use.

To obtain the longest possible battery life, remove the battery pack from the charger once it is fully charged.

- For battery pack storage longer than 30 days: Store the battery pack where the temperature is below 27°C and away from moisture.
- Store the battery packs in a 30% - 50% charged condition.
- Every six months of storage, charge the pack as normal.

MAINTENANCE

Adding the chain lubricating oil (see picture section)

WARNING! Never work without chain lubricant. If the saw chain is running without lubricant, the guide bar and the saw chain can be damaged. It is essential to frequently check the oil level in the oil level gauge and before starting to use the product.

Keep the reservoir more than ¼ full to ensure sufficient oil is available for the job.

Note: It is recommended to use a vegetable based chain oil when pruning trees. Mineral oil may harm trees. Never use waste oil, automotive oil, or very thick oils. These could damage the chain saw. Clear surface around the oil cap to prevent contamination.

Adjusting the chain tension (see picture section)

⚠ WARNING! The saw chain is sharp. Always wear protective gloves when performing maintenance to the chain.

The chain tension is correct when the gap between the cutter in the chain and the bar is about 3 mm. Pull the chain in the

middle of the lower side of the bar downwards (away from the bar) and measure the distance between the bar and the chain cutters. Tighten the bar mounting nuts by turning it counter clockwise.

Note: Do not over-tension the chain. Excess tension causes excessive wear and reduces the life of the bar and could damage the bar. New chains could stretch and loosen during initial use. Remove the battery pack and check the chain tension frequently during the first two hours of use. The temperature of the chain increases during normal operation causing the chain to stretch. Check the chain tension frequently and adjust as required. A chain tensioned while warm may be too tight upon cooling. Make sure that the chain tension is correctly adjusted as specified in the instructions.

Chain and Bar

After every few hours of use, remove the drive cover, guide bar, and chain and clean thoroughly using a soft bristle brush. Ensure that the oiling hole on the bar is clear of debris. When replacing dull chains with sharp chains, it is good practice to flip the chain bar from the bottom to the top.

Maintenance schedule

Bar lubrication	Before each use
Chain tension	Before each use and frequently
Chain sharpness	Before each use, visual check
For damaged parts	Before each use, visual check
For loose fasteners	Before each use, inspect and clean
Guide Bar	After each use, inspect and clean
Complete product	Check after every 5 hours of operation

Accessories

Use only MILWAUKEE accessories and MILWAUKEE spare parts. Should components need to be replaced which have not been described, contact one of our MILWAUKEE service centres (see our list of guarantee/service addresses).

If needed, an exploded view of the product can be ordered. State the product type printed as well as the serial number on the label and order the drawing at your local service centre.

SYMBOLS



CAUTION! WARNING! DANGER!



Read the instructions carefully before starting the product.



Remove the battery pack before starting any work on the product.



Wear gloves!



Always wear protective clothing and footwear.



Wear a protective helmet.
Wear ear protectors!
Use safety glasses.



Always use two hands when using the product.



Wear upper body protection.



Wear leg protection.



Keep bystanders at least 15m away during use.



Keep product at least 15 m away from electric power lines.



Avoid contact with bar tip.



DANGER! Beware of kickback.



Chain Oil Reservoir



Chain Direction



Chain Tension Adjustment



Do not use in the rain or leave outdoors while it is raining.



The guaranteed sound power level shown on this label is 97 dB(A).



Do not dispose of electric tools and battery packs together with household waste material. Electric tools and battery packs that have reached the end of their life must be collected separately and returned to an environmentally compatible recycling facility. Check with your local authority or retailer for recycling advice and collection point.

n_0

Stroke rate under no-load

V

Volts



Direct current

技術數據

M18 FOPH-CSA

無負載轉速，低速	0 - 3700 min ⁻¹
無負載轉速，高速	0 - 4600 min ⁻¹
鏈條無負載轉速	8.6 m/s
導板的長度	254 mm
可用的切割長度	230 mm
鏈油箱容量	140 ml
根據EPTA-Procedure 01/2014的重量	1.94 kg

噪音/振動資訊

依 EN ISO 22868 / EN ISO 4871 所測的測量值。

聲壓值(不確定性的測量 K=3 dB(A)) 85 dB(A)

聲功率級(不確定性的測量 K=3 dB(A)) 95 dB(A)

佩戴護耳器。

依EN 22867 所測的振動總值 (三軸向量總和)

振動值 a_h 1.54 m/s²

不確定性的測量 K 0.65 m/s²

請參閱快拆配件的操作說明，以取得技術數據及對應特定快拆配件的動力頭列表。

警告！

本說明書所提供的振動等級是依 EN ISO 22867 規定的標準化測試所測得，且可能用於與另一個工具進行比較。該等級可用來初步評估風險。

宣告的振動釋放等級代表的是本產品的主要應用。然而，如果產品用於不同的應用、使用不同的配件或保養不當，振動釋放也可能不同。這可能會在總工作時間上顯著增加風險等級。

評估振動暴露的等級還應考慮本工具關機時的時間，或當工具運轉但並未實際使用的時間。這可能會明顯降低總工作期間的風險等級。

請確認額外的安全措施，以保護操作員不受振動的影響，例如：保養產品與配件、保持手部溫暖和井然有序的工作方式。

⚠ 警告！ 閱讀本產品隨附的所有安全警告、說明、插圖和規格。若不按照說明操作，則可能會導致電擊、火災和/或嚴重傷害。

將所有警告和說明保存好，方便以後查閱。

⚠ 電動高枝鋸鏈安全警告

當產品正在運行時，請保持身體的所有部位遠離產品。開始產品之前，確保產品不接觸任何東西。操作產品時注意力不集中可能會導致衣服或身體與產品纏繞。

務必用右手握住產品的後把手上，並將左手放在前把手上。

反手握住產品增加了人身傷害的風險，絕不應該這樣做。

因為刀片可能接觸到隱藏的電線，所以只可握持產品的絕緣握持面。接觸「通電」電線的鋸鏈可能會使鏈鋸的暴露金屬部件「通電」，並可能導致操作員觸電。

務必佩戴護目鏡。建議進一步佩戴聽力、頭部、手部、腿部及腳部的保護設備。充足的防護設備將減少因飛行碎片或與鋸鏈意外接觸而造成的人身傷害。

不要在樹上、梯子上、屋頂上或任何不穩定的支架上操作產品。以這種方式操作產品可能會導致嚴重的人身傷害。

只有站在固定、牢固及平坦的表面上時，務必保持適當的基礎並操作產品。滑動或不穩定的表面可能會導致產品失去平衡或控制。

切割處於緊張狀態下的樹枝時，要注意回彈。當木纖維中的張力被釋放時，彈簧加載的樹枝可能撞擊操作員和/或使產品失控。

切割灌木及樹苗時要特別小心。纖細的材料可能會抓住鋸鏈，向你鞭打或令你失去平衡。

在產品關閉並遠離身體的情況下，以前把手攜帶產品。運輸或存放產品時，務必安裝導向導板封蓋。適當處理產品將減少意外接觸移動鋸鏈的可能性。

按照說明進行潤滑、鏈條張緊，並更換導板及鏈條。不恰當的張緊或潤滑鏈條可能會破壞或增加回彈的機會。

保持把手乾燥、清潔及無油脂。油膩的把手很滑，會造成失控。

只能切割木頭。例如，不要使用鏈鋸切割金屬、塑料、磚石或非木材建築材料。以不同於預期的操作使用產品，可能會導致危險情況。

不要試圖砍倒樹木。砍伐樹木時，操作員或旁觀者可能會受到嚴重傷害。

清除卡住的材料、存放及維修產品時，請遵循所有說明。確保開關關閉，並取出電池組。清除堵塞物料或維修時意外啟動產品，可能會導致嚴重的人身傷害。

反衝的原因以及操作員預防的行動：

- 當導板的前端或尖端接觸物體時，或切割時過多木材逼近及夾住鋸鏈時，都可能發生回彈。
- 在某些情況下，頂端接觸可能導致突然的反向反應，將導板踢向操作員。
- 沿著導板的頂端夾著鏈鋸可能將導向桿快速地推向操作員。

這些反應都可能使您失去產品的控制，從而導致嚴重的人身傷害。不要完全依靠產品內置的安全裝置。

作為產品的用戶，您應該採取幾個步驟來保持切割作業不受事故或傷害。

回彈因濫用產品及/或錯誤的操作程序或環境而致，可透過以下適當的預防措施避免：

- 保持牢固的握持，用拇指和手指環繞鏈鋸的手柄，雙手放在鏈鋸上，並調整身體及手臂的位置，以抵抗反彈的力量。如果採取適當的預防措施，操作員則可控制反彈力。
- 不要過度伸展，並且不要超過肩膀的高度。這有助於防止意外尖端接觸，並可在意外情況下更好地控制產品。
- 只能使用製造商指定的替換導板和鋸鏈。錯誤地更換導板和鋸鏈可能會導致鋸鏈斷裂及/或反彈。
- 須按照製造商的削磨及維修產品的說明。降低深度計的高度可能會增加反彈。

國家法規可能會限制產品的使用。請注意當地法規。

附加的安全說明

在第一次操作產品時，建議切割木馬或搖籃上的原木。

確保所有防護裝置、把手和尖頭保險槓都妥當地安裝及處於良好的狀況。

使用產品的人應該身體健康。產品很重，所以操作員必須身體健康。

操作員應該保持警覺，具有良好的視野、移動性、平衡性和手動靈活性。如果有任何疑問，請勿操作產品。

直到處於無遮擋的工作區域、安全地站穩及能夠躲避倒樹的退路，才能開始使用產品。小心潤滑油霧和鋸屑的排放。如果需要，戴口罩或呼吸器。

不要砍伐藤蔓和/或小灌木叢（直徑少於75毫米）。

在操作期間，務必以雙手握住產品。以拇指及其他手指抓緊產品的把手。右手必須放在後把手上，左手放在前把手上。

開始使用產品之前，確保產品不接觸任何物體。

切勿以任何方式修改產品或使用它以驅動製造商未建議的鋸鏈的任何配件或產品。

應該在操作員附近放置包含大傷口敷料的急救箱及能夠引起注意的方法（例如哨子）一個更大、更全面的工具包應該放在附近。

不正確張緊的鏈條可能會跳出導板，並可能導致嚴重傷害或死亡。鋸鏈的長度取決於溫度。經常檢查張緊程度。

應該在安全支撐的木材進行簡單的切割以習慣新的產品。一段時間無使用產品，便需要進行這個步驟。為減少因移動部件接觸而造成傷害的風險，務必停止電機，應用鋸鏈制動器，取出電池組，並確保所有移動部件在下列情況前會停止：

- 清潔或清理堵塞
- 產品無人看管
- 安裝或移除附
- 檢查、維修或對產品進行操作

工作區域的大小取決於所執行的工作以及涉及的樹木或工件的大小。例如，砍伐一棵樹的工作範圍需要比其他切割（即彎曲切割等）。操作員需要注意及控制工作區內發生的事情。

身體跟導板及鋸鏈連成一線時，切勿切割。如果您遇到反彈，這將有助於防止鋸鏈與您的頭部或身體接觸。

不要使用前後鋸切動作，讓鋸鏈完成工作。保持鋸鏈鋒利，不要試圖通過切割推鏈。

切割結束時不要在鋸鏈上施加壓力。準備承受產品的重量，因為切割時它會從木材中釋放。否則可能導致嚴重的人身傷害。

不要在切割操作過程中停止產品。

保持產品運行直到它已經從切割中移除。當手持產品時，請勿

將開關固定在「開(on)」位置。

在產品上開始任何工作之前，請先取出電池組。

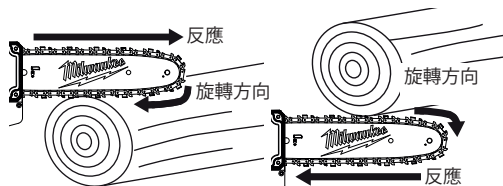
警告！為了減少因短路而導致火災、人身傷害和產品損壞的風險，請勿將產品、電池組或充電器浸沒在流體中或使流體流入其中。腐蝕性或導電性流體（如海水、某些工業化學品、以及漂白劑或含漂白劑的產品等）都會導致短路。

僅可使用M18系統充電器對M18系統電池進行充電。請勿使用其他系統的電池。

不可拆開電池和充電器。電池和充電器必須儲藏在乾燥的空間，勿讓濕氣滲入。務必保持電池組乾燥。

推和拉

反作用力總是與鋸鏈運動的方向相反。因此，操作員必須準備好控制產品的傾向：以切割底部邊緣切割時拉開（向前移動），並且沿著頂部邊緣切割時向後推動（朝向操作員）。



鏈鋸在切割中卡住

關掉產品並取出電池組。不要試圖迫使鋸鏈脫離切口，因為這可能會打斷鏈條，鋸鏈可能會回擺並撞擊操作員。這種情況發生的原因多數是木材受到不正確的支撐，迫使切割在壓縮下關閉，從而夾住刀片。如果調整支撐不會釋放導板和鋸鏈，則使用木製楔或槓桿打開切口並釋放產品。切勿在導板已經處於切割或切口時嘗試啟動產品。

打滑/反彈

如果在切割過程中產品未能挖入，導板可能會沿著原木或分支的表面開始跳動或發生危險的打滑，可能會導致產品失控。為防止或減少打滑或彈跳，請務必以雙手使用本產品，以確保鋸鏈形成切割槽。切勿用產品切割小巧靈活的樹枝或刷子。

它們的大小和靈活性很容易導致產品向你反彈，或者用足夠的力量來產生回彈。這種工作的最佳產品是手鋸、修枝剪、斧頭或其他手工產品。

個人防護裝備

參閱第14頁。

操作本產品時，務必戴上頭盔。配備了網狀遮陽板的頭盔有助於減少發生反彈時面部和頭部受傷的風險。佩戴護耳器。暴露在噪聲中可能會導致聽力受損。

專業人士使用的優質個人防護設備將有助於降低操作人員受傷的風險。操作產品時應使用以下物品：

- 安全帽應符合EN 397標準並帶有CE標誌
- 聽力保護應符合EN 352-1標準並具有CE標誌
- 眼睛和臉部保護應帶CE標誌，並符合EN 166（用於安全眼鏡）或EN 1731（用於網眼護目鏡）
- 這些手套應符合EN 381-7標準，並且必須通過CE認證。
- 腿部保護（皮套）應符合EN 381-5標準，並帶有CE標誌並提供全面保護
- 鋸鏈安全靴應符合EN ISO 20345: 2004標準，並標有描繪鋸鏈的護罩，以顯示符合EN 381-3標準。（如果地面平整且沒有絆倒或捕捉叢林的風險，不常用的操作者可以使用鋼製鞋頭，兼帶有保護性綁腿的安全靴，則符合EN 381-9標準。）
- 用於保護上身的鏈鋸夾克應符合EN 381-11標準並帶有CE標誌

安全設備

A 警告！不正確維修、移除或修改安全部件（如鏈條制動器、點火開關、護手防護裝置（前及後）、尖頭保險槓、鋸鏈安裝位、導板、低回彈鋸鏈）可能導致安全部件不能夠正常地運作，所以增加導致嚴重傷害的可能性。

低回彈鋸鏈

低回彈鋸鏈有助於減少回彈的可能性。每個切割器前方的耙（深度計）可以通過防止切割器過深地挖掘，以減小反彈反作用力。只能使用製造商推薦的替換導板和鋸鏈組合。隨著鋸鏈變尖，它們會失去一些低回彈的力量，必須格外小心。為了您的安全，切割性能下降時請更換鋸鏈。

尖刺保險槓

進行切割時，內置的尖刺保險槓可以用作支點。它有助切割時保持產品的穩定性。切割時，將產品向前推，直到尖刺深入木材邊緣，然後通過向切割線方向上下移動後手柄，可以幫助緩解切割的物理應變。

導板

一般來說，小半徑尖端的導板具有稍低的回彈力。工作時，應該使用一個長度足夠的導板及相配的鋸鏈。較長的導板會增加鋸切過程中失去控制的風險。定期檢查鋸鏈的張力。當切割較小的分枝（少於導板的整個長度）時，如果張力不正確，鋸鏈更可能被拋出。

關於基本採伐、砍伐和橫切的適當技術的說明

了解木材內部的力量

當你了解木材內部的方向壓力和應力時，可以減少「夾傷」或至少在切割過程中預計這些情況。木材中的張力意味著纖維被拉開，並且如果在這個區域切割，鋸切或切割將傾向於在產品通過時打開。如果鋸木架上支撐著一根木材，並且末端懸掛在底部，則由於懸掛木材拉伸纖維的重量，上表面會產生張力。同樣，原木的下面將被壓縮並且纖維被推到一起。如果在該區域進行切割，則切割過程中切口會傾向閉合。這會捏住刀片。

修剪（參閱圖片部分）

A 警告！如果要修剪的樹枝不在產品範圍內，請僱用專業人員進行修剪，否則可能導致嚴重的人身傷害。

修剪是從活樹上修剪樹枝。

- 務必確保您站穩，並且重量平均地分佈在雙腳上。
- 切勿在梯子上進行切割，此行動是非常危險。讓專業人員進行此類操作。
- 在使用過程中，握住產品的右手不應超過胸部高度。
- 在使用過程中，握住產品的右手不應超過胸部高度。將產品保持在較高位置很難控制反沖力。修剪樹木時，必須留神切勿在主幹或軀幹旁邊進行修剪，直到你將肢體進一步切除以減輕重量。這可以防止樹皮從主幹上剝離。
- 第一次切割時，需要下彎過1/3的分枝。
- 你的第二次切割時，需要進行下彎切，令樹枝掉下。進行順利而整齊的最後切割，並且緊貼在主幹，當樹皮重生時將密封切口。

拉鉤

使用拉鉤抓住修剪過的樹枝，將它們從樹冠上拉下來。

砍伐

砍伐是從倒下的樹上移除樹枝的過程。砍伐時，留下較大的下枝，以支撐地面的原本。用單一的切割移除細小的樹枝。張力下的分支應從下向上切割，以避免纏著產品。

切割彈簧桿

彈簧桿是任何木頭、樹枝、根莖樹樁或樹苗，在其他木材的張力作用下彎曲，以便在夾住或移除木材時，它會彈回。

在倒下的樹上，在屈曲切割過程中，有根的樹樁很有可能彈回到直立位置，以便將木頭與樹樁分開。注意彈簧桿 - 它們很危險。

警告！彈簧桿很危險，可能會撞擊操作員，導致操作員失去對產品的控制。這可能會對操作員造成嚴重或致命的傷害。切割彈簧桿應由經過培訓的用戶完成。

其他安全警告

某些地區對產品的使用有限制的法規。請與當地相關部門或經銷商聯繫。

切勿讓小孩或不熟悉說明的人員使用本產品。當地法規可能會限制操作員的年齡。

確保在每次使用前，所有控制裝置和安全裝置都能正常工作。如果開關上的「關閉（off）」不能停止電機，請勿使用本產品。

不要穿寬鬆的衣服，短褲或任何類型的首飾。

束起長髮，使其高於肩膀水平，以防止纏結於運動部件。

小心投擲、飛行或墜落的物體。慎防拋出的物體；讓所有旁觀者、兒童和動物至少距離工作區域15米。

切勿在光線不足的情況下進行操作。操作者需要清晰視線的工作區域，以識別潛在的危險。

使用聽力保護裝備會降低聽到警示（呼喊或警報）的能力。操作員必須特別注意工作區域正在發生的事情。

在附近操作類似的產品會增加聽力損傷的風險和其他人進入工作區域的可能性。

時刻注意立足點和身體平衡。切勿伸展太遠。

過度使用會導致失去平衡並可能增加回彈風險。

保持身體的所有部位遠離任何運動部件。

每次使用前，檢查產品。檢查所有控制器是否正確地操作，包括鋸鏈制動器。檢查緊固件的鬆動。確保所有防護裝置和手柄皆正確安全地連接。使用前更換損壞的部件。

請勿以任何方式修改產品或使用製造商不推薦的零件和配件。

警告！如果產品掉落、受到重大衝擊或者開始異常振動，請立即停止產品，並檢查確認是否有損壞或者確認振動的原因。任何損壞都應妥善維修或由MILWAUKEE維修站更換。

勿將用過的電池組與家庭廢棄物混合或燃燒電池。MILWAUKEE經銷商將接受舊電池以保護環境。勿將電池組與其他金屬物品一起存放（可能引起短路）。

僅可使用M18系統充電器對M18系統電池進行充電。請勿使用其他系統的電池。在極端負載或極端溫度下，損壞的電池可能漏出內部酸液。若碰觸到電池酸液，請即刻用肥皂與清水洗去。若酸液接觸到眼睛，以清水沖洗至少10分鐘後立即就醫。

附加電池安全警告

A 警告！為了減少因短路而導致火災、人身傷害和產品損壞的風險，請勿將產品、電池組或充電器浸沒在液體中或使液體流入其中。腐蝕性或導電性液體（如海水、某些工業化學品、以及漂白劑或含漂白劑的產品等）都會導致短路。

降低風險

根據報導，手持工具的振動可能為某些人帶來雷諾綜合徵（Raynaud's Syndrome）的病症。其症狀可能包括手指刺痛、麻木及變得蒼白，通常因曝露寒冷天氣下而出現。遺傳性因素、曝露於寒冷及潮濕、飲食、吸煙及工作習慣都可能引發這些症狀的發展。操作員可以採取以下措施，以減低振動帶來的影響：

- 在寒冷天氣下保持身體溫暖。當操作產品時，戴上手套以保持雙手及手腕溫暖。
- 每次操作後，做運動以增加血液循環。

- 經常休息。限制每天曝露的時間。
- 專業鏈鋸零售商提供的防護手套專為鏈鋸使用而設計，可提供保護，良好的抓地力並減少手柄振動的影響。這些手套應符合EN 381-7標準，並且必須通過CE認證。

如果遇上任何徵狀，立刻停用產品，並且向醫生講述這些症狀。

A 警告！長時間使用產品可能會引致或加重人身傷害。長時間使用任何工具，確保有定時的休息。

運輸與存放

在進行存儲或運輸之前，停止本產品，拔下電源，並讓產品冷卻。

清潔本產品上的所有異物。存放在陰涼乾燥、通風良好而且兒童不可進入的地方。遠離腐蝕劑（如花園化學品和除冰鹽）。請勿在室外存放產品。

如果以車輛運輸，確保產品不會轉動或掉落，以免造成人身傷害或產品損壞。

運輸鋰電池

鋰電池須受制於危險品法例的要求。

運送鋰電池必須在符合當地、國家及國際標準及法例的情況下進行。

- 使用者可於陸地上運送電池而毋須受限。
- 第三方負責的商業式鋰電池運送須受制於危險品法例。運送的預備及過程必須由受嚴格訓練的人士進行，亦必須得到專家在場監管。

運輸電池組時：

- 請確保電池接觸終端受到嚴密保護及經過絕緣，防止短路。
- 請確保電池組妥善包裝，防止碰撞磨擦。
- 請勿運輸破裂或洩漏的電池組。

與貨運公司緊密聯繫以獲得進一步資訊。

殘餘風險

即便已按規定使用產品，仍然不可能完全消除某些殘留的風險因素。可能會引起以下危險，操作人員應特別注意以避免發生以下情況：

- 接觸刀片會造成的傷害。接觸刀片可能會導致嚴重傷害。保持刀片刀片遠離自己和他人。當不進行切割時，將產品以刀片保護蓋蓋住。
- 可能因振動造成的傷害。用指定的手柄握住產品，並限制工作時間及暴露。
- 因接觸噪聲導致聽力傷害。佩戴耳罩和限制暴露於噪音中。
- 因工作拋出的碎屑導致的傷害。務必佩戴防護眼鏡，重型長褲、手套及結實的鞋類。

特定使用條件

本產品僅供常規操作員在戶外使用。

本產品不適合砍伐樹木。

基於安全原因及能夠控制產品，必須以雙手操作產品。

本產品用於切割樹枝、樹幹、圓木及橫樑，其直徑由導板切割長度決定。只能用作切割木材。只可以由受過有關使用產品危害的充份的培訓及預防措施/行動的成人才能使用。

請勿將本產品用於未在指定使用條件下列出的任何用途。該產品不得用於專業樹木服務。兒童或未穿戴足夠個人防護裝備衣服的人員不得使用本產品。

警告！ 如果使用本產品，必須遵守安全規則。為了您自己及旁觀者的安全，在使用本產品之前，您必須閱讀並完全理解這些說明。您應該參加專業組織的安全課程，了解鏈鋸的使用、預防措施、急救及維護。請妥善保管這些說明以備日後使用。

警告！ 鏈鋸是潛在的危險工具。使用鏈鋸的事故能夠導致失去四肢或死亡。不單因為鏈鋸是危險的。掉下的樹枝、倒下的樹木及滾動的圓木都能夠導致死亡。患病或腐爛的木材會帶來額外的危害。您應該評估您安全完成任務的能力。如果有任何疑問，請將其交給專業的樹藝師。

切勿將本產品用於正常使用之外的其他用途。

電池

久未使用的電池必須重新充電後再使用。

超過 50° C (122° F) 的高溫會降低電池的效能。避免暴露於高溫或陽光下(可能導致過熱)。

充電器和電池組的接點處應保持清潔。

為確保最佳電池使用壽命，電池組使用後應再完全充電。

為確保電池的最長壽命，充電完成後，勿將電池匣繼續留在充電器上。

電池儲存時間長於30日：

- 將電池組存放於溫度低於27° C的環境，且避免受潮。
- 將電池組保持在充電量30%-50%的狀態。
- 存放中的電池組應每六個月照常充電一次。

維護

加入鋸鏈潤滑油（參閱圖片部份）

警告！ 如果沒有產品潤滑劑，切勿開始任何工作。如果產品在沒有潤滑劑的情況下運行，導板和鋸鏈可能會損壞。在開始使用產品之前，經常檢查油位計的油位是非常重要的。

將油箱保持在¼以上，以確保有足夠的油可用於工作。

注意：修剪樹木時建議使用植物基鏈條油。礦物油可能會傷害樹木。切勿使用廢油汽車油或非非常稠的油。這些可能會損壞產品。清除油帽周圍的表面以防止污染。

調整鋸鏈張力（參閱圖片部份）

A 警告！鋸鏈很鋒利。對鋸鏈進行維護時，務必佩戴防護手套。

當鋸鏈上的刀具與棒材之間的間隙約為3 毫米時，鋸鏈張力是正確的。將鋼條下側中間的鏈條向下拉（遠離鋼條），然後測量鋼條與鏈條切割器之間的距離。逆時針旋轉桿安裝螺母。

注意：不要使鏈條過度張緊 - 多餘的張力會導致過度的磨損，並會縮短鏈條的使用壽命，並可能損壞棒材。在最初的使用過程中，新的鋸鏈可能會拉伸和鬆動。移除電池並將滑動開關拉到位置鎖定狀態。鋸鏈溫度在正常操作期間增加，導致鋸鏈伸展。經常檢查鋸鏈張力並根據需要進行調整。確保鋸鏈張力按照這些說明中的規定正確調整。

鋸鏈及鏈桿

每使用幾個小時後，取下驅動器蓋、導向桿及鏈條，並使用軟毛刷徹底清潔。確保桿上的油孔沒有碎屑。當用鋒利的鏈條替換暗淡的鏈條時，最好將鏈條從底部翻轉到頂部。

維護計劃

潤滑導板	每次使用前
鋸鏈張力	每次使用之前並經常使用
鋸鏈尖銳度	在每次使用之前，目測檢查
對於損壞的部件	在每次使用之前，目測檢查
檢查緊固件的鬆動。	在每次使用之前，檢查並清潔

導板 每次使用後，檢查並清潔
完整的產品 每運行5小時檢查

配件

只可使用MILWAUKEE的配件和零件。如果需要更換未描述的組件，請聯繫我們的MILWAUKEE服務代理（請參閱我們的認可/維修的地址列表）。

如果需要，可以索取產品的分解圖。諮詢案件時，請您向當地的顧客服務中心提供以下資料：銘牌上的產品序列號及機型。

符號



注意！警告！危險！



啟動產品前，請仔細閱讀本說明。



在產品上開始任何工作之前，請先取出電池組。



佩戴手套。



務必穿著防護服和鞋類。



戴上防護頭盔。
佩戴護耳器。
使用安全眼鏡。



使用本產品時，請務必用兩隻手握住。



穿上身保護衣。



穿腿保護。



在使用過程中，讓旁觀者至少離開15米。



使產品與電力線保持至少15米的距離。



避免與棒尖接觸。



危險！小心反衝。



鏈條油藏



鏈方向



調節鋸鏈張力



在下雨時，不要使用產品或將產品留在戶外。



此標籤上顯示認證的聲壓級為97 dB(A)。



不要將電動工具、電池組與家庭垃圾材料一起處置。當電動工具和電池組達到使用壽命時，必須單獨收集，並送至環保回收機構。請與當地相關部門或經銷商聯繫，了解回收建議和收集地點。

n_0

在無負載轉速下的衝擊頻率

V

伏特



直流電

无负载转速, 低速	0 - 3700 min ⁻¹
无负载转速, 高速	0 - 4600 min ⁻¹
链条无负载转速	8.6 m/s
导板的长度	254 mm
可用的切割长度	230 mm
链油箱容量	140 ml
根据EPTA-Procedure 01/2014的重量	1.94 kg

噪音/振动资讯

依 EN ISO 22868 / EN ISO 4871 所测的测量值。

声压值(不确定性的测量 K=3 dB(A)) 85 dB(A)

声功率级(不确定性的测量 K=3 dB(A)) 95 dB(A)

佩戴护耳器。

依EN 22867 所测的振动总值 (三轴向量总和)

振动值 a_v 1.54 m/s²

不确定性的测量 K= 0.65 m/s²

请参阅应用头的操作说明, 以取得技术数据及对应特定应用头的多功能主机列表。

警告!

本说明书所提供的振动等级是依 EN ISO 22867 规定的标准化测试所测得, 且可能用于与另一个工具进行比较。该等级可用于初步评估风险。

宣告的振动释放等级代表的是本产品的主要应用。然而, 如果产品用于不同的应用、使用不同的配件或保养不当, 振动释放也可能不同。这可能会在总工作时间内显著增加风险等级。

评估振动暴露的等级还应考虑本工具关机时的时间, 或当工具运转但却未实际使用的时间。这可能会明显降低总工作期间的风险等级。

请确认额外的安全措施, 以保护操作员不受振动的影响, 例如: 保养产品与配件、保持手部温暖和井然有序的工作方式。

⚠ 警告! 阅读本产品随附的所有安全警告、说明、插图和规格。不遵照以下说明会导致电击、着火和/或严重伤害。保存所有警告和说明书以备查阅。

⚠ 电动杆锯安全警告

当产品正在运行时, 请保持身体的所有部位远离产品。开始产品之前, 确保产品不接触任何东西。操作产品时注意力不集中可能会导致衣服或身体与产品缠结。

务必用右手握住产品的后把手上, 并将左手放在前把手上。

反手握住产品增加了人身伤害的风险, 绝不应该这样做。

因为刀片可能接触到隐藏的电线, 所以只可握持产品的绝缘握持面。接触「通电」电线的锯链可能会使锯链的暴露金属部件「通电」, 并可能导致操作员触电。

务必佩戴护目镜。建议进一步佩戴听力、头部、手部、腿部及脚部的保护设备。充足的防护设备将减少因飞行碎片或与锯链意外接触而造成的人身伤害。

不要在树上、梯子上、屋顶上或任何不稳定的支架上操作产品。以这种方式操作产品可能会导致严重的人身伤害。

只有站在固定、牢固及平坦的表面上时, 务必保持适当的基础并操作产品。滑动或不稳定的表面可能会导致产品失去平衡或控制。

切割处于紧张状态下的树枝时, 要注意回弹。当木纤维中的张力被释放时, 弹簧加载的树枝可能撞击操作员和/或使产品失控。

切割灌木及树苗时要特别小心。纤细的材料可能会抓住锯链, 向您鞭打或令您失去平衡。

在产品关闭并远离身体的情况下, 以前把手携带产品。运输或存放产品时, 务必安装导向板封盖。适当处理产品将减少意外接触移动锯链的可能性。

按照说明进行润滑、链条张紧, 并更换导板及链条。不恰当的张紧或润滑链条可能会破坏或增加回弹的机会。

保持把手干燥、清洁及无油脂。油腻的把手很滑, 会造成失控。

只能切割木头。例如, 不要使用链锯切割金属、塑料、砖石或非木材建筑材料。以不同于预期的操作使用产品, 可能会导致危险情况。

不要试图砍倒树木。砍伐树木时, 操作员或旁观者可能会受到严重伤害。

清除卡住的材料、存放及维修产品时, 请遵循所有说明。确保开关关闭, 并取出电池组。清除堵塞物料或维修时意外启动产品, 可能会导致严重的人身伤害。

反冲的原因以及操作员预防的行动:

- 当导板的前端或尖端接触物体时, 或切割时过多木材逼近及夹住锯链时, 都可能发生回弹。
- 在某些情况下, 顶端接触可能导致突然的反向反应, 将导板踢向操作员。
- 沿着导板的顶端夹着链锯可能将导向杆快速地推向操作员。

这些反应都可能使您失去产品的控制，从而导致严重的人身伤害。不要完全依靠产品内置的安全装置。

作为产品的用户，您应该采取几个步骤来保持切割作业不受事故或伤害。

回弹因滥用产品及/或错误的操作程序或环境所致，可透过以下适当的预防措施避免：

- 保持牢固的握持，用拇指和手指环绕链锯的手柄，双手放在链锯上，并调整身体及手臂的位置，以抵抗反弹的力量。如果采取适当的预防措施，操作员则可控制反弹力。
- 不要过度伸展，并且不要超过肩膀的高度。这有助于防止意外尖端接触，并可在意外情况下更好地控制产品。
- 只能使用制造商指定的替换导板和锯链。错误地更换导板和锯链可能会导致锯链断裂及/或反弹。
- 须按照制造商的削磨及维修产品的说明。降低深度计的高度可能会增加反弹。

国家法规可能会限制产品的使用。请注意当地法规。

附加的安全说明

在第一次操作产品时，建议切割木马或摇篮上的原木。

确保所有防护装置、把手和尖头保险杠都妥当地安装及处于良好的状况。

使用产品的人应该身体健康。产品很重，所以操作员必须身体健康。

操作员应该保持警觉，具有良好的视野、移动性、平衡性和手动灵活性。如果有任何疑问，请勿操作产品。

直到处于无遮挡的工作区域、安全地站稳及能够躲避倒树的退路，才能开始使用产品。小心润滑油雾和锯屑的排放。如果需要，戴口罩或呼吸器。

不要砍伐藤蔓和/或小灌木丛（直径少于75毫米）。

在操作期间，务必以双手握住产品。以拇指及其他手指抓紧产品的把手。右手必须放在后把手上，左手放在前把手上。

开始使用产品之前，确保产品不接触任何物体。

切勿以任何方式修改产品或使用它以驱动制造商未建议的链锯的任何配件或产品。

应该在操作员附近放置包含大伤口敷料的急救箱及能够引起注意的方法（例如哨子）一个更大、更全面的工具包应该放在附近。

不正确张紧的链条可能会跳出导板，并可能导致严重伤害或死亡。锯链的长度取决于温度。经常检查张紧程度。

应该在安全支撑的木材进行简单的切割以习惯新的产品。一段时间无使用产品，便需要进行这个步骤。为减少因移动部件接触而造成伤害的风险，务必停止电机，应用锯链制动器，取出电池组，并确保所有移动部件在下列情况前会停止：

- 清洁或清理堵塞
- 产品无人看管
- 安装或移除附
- 检查、维修或对产品进行操作

工作区域的大小取决于所执行的工作以及涉及的树木或工件的大小。例如，砍伐一棵树的工作范围需要比其他切割（即弯曲切割等）。操作员需要注意及控制工作区内发生的事情。

身体跟导板及锯链连成一线时，切勿切割。如果您遇到反弹，这将有助于防止锯链与您的头部或身体接触。

不要使用前锯切割动作，让锯链完成工作。保持锯链锋利，不要试图通过切割推链。

切割结束时不要在链锯上施加压力。准备承受产品的重量，因为切割时它会从木材中释放。否则可能导致严重的人身伤害。

不要在切割操作过程中停止产品。

保持产品运行直到它已经从切割中移除。当手持产品时，请勿

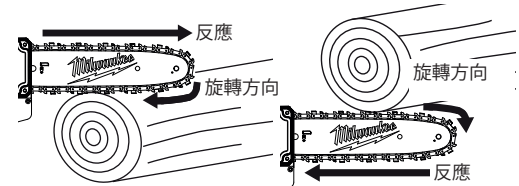
将开关固定在「开(on)」位置。

在产品上开始任何工作之前，请先取出电池组。

警告！为了减少因短路而导致火灾、人身伤害和产品损坏的风险，请勿将产品、电池组或充电器浸没在流体中或使流体流入其中。腐蚀性或导电性流体（如海水、某些工业化学品、以及漂白剂或含漂白剂的产品等）都会导致短路。

仅可使用M18系统充电器对M18系统电池进行充电。请勿使用其他系统的电池。

不可拆开电池和充电器。电池和充电器必须储藏在干燥的空间，勿让湿气渗入。务必保持电池组干燥。



链锯在切割中卡住

关掉产品并取出电池组。不要试图迫使锯链脱离切口，因为这可能会打断链条，锯链可能会回摆并撞击操作员。这种情况发生的原因多数是木材受到不正确的支撑，迫使切割在压缩下关闭，从而夹住刀片。如果调整支撑不会释放导板和锯链，则使用木制楔或杠杆打开切割并释放产品。切勿在导板已经处于切割或切口时尝试启动产品。

溜冰/打滑

如果在切割过程中产品未能挖入，导板可能会沿着原木或分支的表面开始跳动或发生危险的打滑，可能会导致产品失控。为防止或减少打滑或弹跳，请务必以双手使用本产品，以确保锯链形成切割槽。切勿用产品切割小巧灵活的树枝或刷子。

它们的大小和灵活性很容易导致产品向您反弹，或者用足够的力量来产生回弹。这种工作的最佳产品是手锯、修枝剪、斧头或其他手工产品。

个人防护装备

参阅第14页。

操作本产品时，务必戴上头盔。配备了网状遮阳板的头盔有助减少发生反弹时面部和头部受伤的风险。佩戴护耳器。暴露在噪声中可能会导致听力受损。

专业人士使用的优质个人防护设备将有助于降低操作人员受伤的风险。操作产品时应使用以下物品：

- 安全帽应符合EN 397标准并带有CE标志
- 听力保护应符合EN 352-1标准并具有CE标志
- 眼睛和脸部保护应带CE标志，并符合EN 166（用于安全眼镜）或EN 1731（用于网眼护目镜）
- 这些手套应符合EN 381-7标准，并且必须通过CE认证。
- 腿部保护（皮套）应符合EN 381-5标准，并带有CE标志并提供全面保护
- 链锯安全靴应符合EN ISO 20345: 2004标准，并标有描绘锯链的护罩，以显示符合EN 381-3标准。（如果地面平整且没有绊倒或捕捉丛林的风险，不常用的操作者可以使用钢制鞋头，兼带有保护性绑腿的安全靴，则符合EN 381-9标准。）
- 用于保护上身的链锯夹克应符合EN 381-11标准并带有CE标志

安全设备

警告！ 不正确维修、移除或修改安全部件（如链条制动器、点火开关、护手防护装置（前及后）、尖头保险杠、锯链安装位、导板、低回弹锯链）可能导致安全部件不能够正常地

运作，所以增加导致严重伤害的可能性。

低回弹锯链

低回弹锯链有助于减少回弹的可能性。每个切割器前方的耙（深度计）可以通过防止切割器过深地挖掘，以减小反弹反作用力。只能使用制造商推荐的替换导板和锯链组合。随着锯链变尖，它们会失去一些低回弹的力量，必须格外小心。为了您的安全，切削性能下降时请更换锯链。

尖刺保险杠

进行切割时，内置的尖刺保险杠可以用作支点。它有助切割时保持产品的稳定性。切割时，将产品向前推，直到尖刺深入木材边缘，然后通过向切割线方向上下移动后手柄，可以帮助缓解切割的物理应变。

导板

一般来说，小半径尖端的导板具有稍低的回弹力。工作时，应该使用一个长度足够的导板及相配的锯链。较长的导板会增加锯切过程中失去控制的风险。定期检查锯链的张力。当切割较小的分枝（少于导板的整个长度）时，如果张力不正确，锯链更可能被抛出。

关于基本采伐、砍伐和横切的适当技术的说明

了解木材内部的力量

当您了解木材内部的方向压力和应力时，可以减少「夹伤」或至少在切割过程中预计这些情况。木材中的张力意味着纤维被拉开，并且如果在这个区域切割，锯切或切割将倾向于在产品通过时打开。如果锯木架上支撑着一根木材，并且末端悬挂在底部，则由于悬挂木材拉伸纤维的重量，上表面会产生张力。同样，原木的下面将被压缩并且纤维被推到一起。如果在该区域进行切割，则切割过程中切口会倾向闭合。这会捏住刀片。

修剪（参阅图片部分）

警告！ 如果要修剪的树枝不在产品范围内，请雇用专业人员
进行修剪，否则可能导致严重的人身伤害。

修剪是从活树上修剪树枝。

- 务必确保您站稳，并且重量平均地分布在双脚上。
- 切勿在梯子上进行切割，此行动是非常危险。让专业人员进行此类操作。
- 在使用过程中，握住产品的右手不应超过胸部高度。
- 在使用过程中，握住产品的右手不应超过胸部高度。将产品保持在较高位置很难控制反冲力。修剪树木时，必须留神切勿在主干或躯干旁边进行修剪，直到您将肢体进一步切除以减轻重量。这可以防止树皮从主干上剥离。
- 第一次切割时，需要下弯过1/3的分枝。
- 您的第二次切割时，需要进行下弯切，令树枝掉下。进行顺利而整齐的最后切割，并且紧贴在主干，当树皮重生时将密封切口。

拉钩

使用拉钩抓住修剪过的树枝，将它们从树冠上拉下来。

砍伐

砍伐是从倒下的树上移除树枝的过程。砍伐时，留下较大的下枝，以支撑地面的原本。用单一的切割移除细小的树枝。张力下的分支应从下向上切割，以避免缠着产品。

切割弹簧杆

弹簧杆是任何木头、树枝、根茎树桩或树苗，在其他木材的张力作用下弯曲，以便在夹住或移除木材时，它会弹回。

在倒下的树上，在屈曲切割过程中，有根的树桩很有可能弹回到直立位置，以便将木头与树桩分开。注意弹簧杆 - 它们很危险。

警告！弹簧杆很危险，可能会撞击操作员，导致操作员失去对

产品的控制。这可能会对操作员造成严重或致命的伤害。切割弹簧杆应由经过培训的用户完成。

其他安全警告

某些地区对产品的使用有限制的法规。请与当地相关部门或经销商联系。

切勿让小孩或不熟悉说明的人员使用本产品。当地法规可能会限制操作员的年龄。

确保在每次使用前，所有控制装置和安全装置都能正常工作。如果开关上的「关闭（off）」不能停止电机，请勿使用本产品。

不要穿宽松的衣服，短裤或任何类型的首饰。

束起长发，使其高于肩膀水平，以防止缠结于运动部件。

小心投掷、飞行或坠落的物体。慎防抛出的物体；让所有旁观者、儿童和动物至少距离工作区域15米。

切勿在光线不足的情况下进行操作。操作者需要清晰视线的工作区域，以识别潜在的危險。

使用听力保护装备会降低听到警示（呼喊或警报）的能力。操作者必须特别注意工作区域正在发生的事情。

在附近操作类似的产品会增加听力损伤的风险和其他人进入工作区域的可能性。

时刻注意立足点和身体平衡。切勿伸展太远。

过度使用会导致失去平衡并可能增加回弹风险。

保持身体的所有部位远离任何运动部件。

每次使用前，检查产品。检查所有控制器是否正确地操作，包括锯链制动器。检查紧固件的松动。确保所有防护装置和手柄皆正确安全地连接。使用前更换损坏的部件。

请勿以任何方式修改产品或使用制造商不推荐的零件和配件。

警告！如果产品掉落、受到重大冲击或者开始异常振动，请立即停止产品，并检查确认是否有损坏或者确认振动的原因。任何损坏都应妥善维修或由美沃奇维修站更换。

勿将用过的电池组与家庭废弃物混合或燃烧电池。美沃奇经销商将接受旧电池以保护环境。勿将电池组与其他金属物品一起存放（可能引起短路）。

仅可使用M18系统充电器对M18系统电池进行充电。请勿使用其他系统的电池。在极端负载或极端温度下，损坏的电池可能漏出内部酸液。若接触到电池酸液，请即刻用肥皂与清水洗去。若酸液接触到眼睛，以清水冲洗至少10分钟后立即就医。

附加电池安全警告

警告！ 为了减少因短路而导致火灾、人身伤害和产品损坏的风险，请勿将产品、电池组或充电器浸没在流体中或使流体流入其中。腐蚀性或导电性流体（如海水、某些工业化学品、以及漂白剂或含漂白剂的产品等）都会导致短路。

降低风险

根据报导，手持工具的振动可能为某些人带来雷诺综合征（Raynaud's Syndrome）的病症。其症状可能包括手指刺痛、麻木及变得苍白，通常因暴露寒冷天气下而出现。遗传性因素、暴露于寒冷及潮湿、饮食、吸烟及工作习惯都可能引发这些症状的发展。操作者可以采取以下措施，以减低振动带来的影响：

- 在寒冷天气下保持身体温暖。当操作产品时，戴上手套以保持双手及手腕温暖。
- 每次操作后，做运动以增加血液循环。
- 经常休息。限制每天暴露的时间。
- 专业链锯零售商提供的防护手套专为链锯使用而设计，可提供保护，良好的抓地力并减少手柄振动的影响。这些手套应符合EN 381-7标准，并且必须通过CE认证。

如果遇上任何征状，立刻停用产品，并且向医生讲述这些征状。

A 警告！长时间使用产品可能会引致或加重人身伤害。长时间使用任何工具，确保有定时的休息。

运输与存放

在进行存储或运输之前，停止本产品，拔下电源，并让产品冷却。

清洁本产品上的所有异物。存放在阴凉干燥、通风良好而且儿童不可进入的地方。远离腐蚀剂（如花园化学品和除冰盐）。请勿在室外存放产品。

如果以车辆运输，确保产品不会转动或掉落，以免造成人身伤害或产品损坏。

运输锂电池

锂电池须受制于危险品法例的要求。

运送锂电池必须在符合当地、国家及国际标准及法例的情况下进行。

- 使用者可于陆地上运送电池而毋须受限。
- 第三方负责的商业式锂电池运送须受制于危险品法例。运送的预备及过程必须由受严格训练的人士进行，亦必须得到专家在场监管。

运输电池组时：

- 请确保电池接触终端受到严密保护及经过绝缘，防止短路。
- 请确保电池组妥善包装，防止碰撞摩擦。
- 请勿运输破裂或泄漏的电池组。

与货运公司紧密联系以获得进一步资讯。

残余风险

即便已按规定使用产品，仍然不可能完全消除某些残留的风险因素。可能会引起以下危险，操作人员应特别注意以避免发生以下情况：

- 接触刀片会造成的伤害。接触刀片可能会导致严重伤害。保持刀片刀片远离自己和他人。当不进行切割时，将产品以刀片保护盖盖住。
- 可能因振动造成的伤害。用指定的手柄握住产品，并限制工作时间和暴露。
- 因接触噪声导致听力伤害。佩戴耳罩和限制暴露于噪音中。
- 因工作抛出的碎屑导致的伤害。务必佩戴防护眼镜，重型长裤、手套及结实的鞋类。

特定使用条件

本产品仅供常规操作员在户外使用。

本产品不适合砍伐树木。

基于安全原因及能够控制产品，必须以双手操作产品。

本产品用于切割树枝、树干、圆木及横梁，其直径由导板切割长度决定。只能用作切割木材。只可以由受过有关使用产品危害的充份的培训及预防措施/行动的成人才能使用。

请勿将本产品用于未在指定使用条件下列出的任何用途。该产品不得用于专业树木服务。儿童或未穿戴足够个人防护装备衣服的人员不得使用本产品。

警告！如果使用本产品，必须遵守安全规则。为了您自己及旁观者的安全，在使用本产品之前，您必须阅读并完全理解这些说明。您应该参加专业组织的安全课程，了解链锯的使用、预防措施、急救及维护。请妥善保管这些说明以备日后使用。

警告！链锯是潜在的危險工具。使用链锯的事故能够导致失去

四肢或死亡。不单因为链锯是危险的。掉下的树枝、倒下的树木及滚动的圆木都能够导致死亡。患病或腐烂的木材会带来额外的危害。您应该评估您安全完成任务的能力。如果有任何疑问，请将其交给专业的园艺师。

切勿将本产品用于正常使用之外的其他用途。

电池

久未使用的电池必须重新充电后再使用。

超过 50°C (122°F) 的高温会降低电池的效能。避免暴露于高温或阳光下(可能导致过热)。

充电器和电池组的接点处应保持清洁。

为确保最佳电池使用寿命，电池组使用后应再完全充电。

为确保电池的最长寿命，充电完成后，勿将电池继续留在充电器上。

电池储存时间长于30日：

- 将电池组存放于温度低于27°C的环境，且避免受潮。
- 将电池组保持在充电量30%-50%的状态。
- 存放中的电池组应每六个月照常充电一次。

维护

加入锯链润滑油（参阅图片部份）

警告！如果没有产品润滑剂，切勿开始任何工作。如果产品在没有润滑剂的情况下运行，导板和锯链可能会损坏。在开始使用产品之前，经常检查油位计的油位是非常重要的。

将油箱保持在 $\frac{3}{4}$ 以上，以确保有足够的油可用于工作。

注意：修剪树木时建议使用植物基链条油。矿物油可能会伤害树木。切勿使用废油汽油或非常稠的油。这些可能会损坏产品。清除油帽周围的表面以防止污染。

调整锯链张力（参阅图片部份）

A 警告！锯链很锋利。对锯链进行维护时，务必佩戴防护手套。

当锯链上的刀具与棒材之间的间隙约为3毫米时，锯链张力是正确的。将钢条下侧中间的链条向下拉（远离钢条），然后测量钢条与链条切割器之间的距离。逆时针旋转杆安装螺母。

注意：不要使链条过度张紧 - 多余的张力会导致过度的磨损，并会缩短链条的使用寿命，并可能损坏棒材。在最初的使用过程中，新的锯链可能会拉伸和松动。移除电池并将滑动开关拉到位置锁定状态。锯链温度在正常操作期间增加，导致锯链伸展。经常检查锯链张力并根据需要进行调整。确保锯链张力按照这些说明中的规定正确调整。

锯链及链杆

每使用几个小时后，取下驱动器盖、导向杆及链条，并使用软毛刷彻底清洁。确保杆上的油孔没有碎屑。当用锋利的链条替换暗淡的链条时，最好将链条从底部翻转到顶部。

维护计划

润滑导板	每次使用前
锯链张力	每次使用之前并经常使用
锯链尖锐度	在每次使用之前，目测检查
对于损坏的部件	在每次使用之前，目测检查
检查紧固件的松动。	在每次使用之前，检查并清洁
导板	每次使用后，检查并清洁
完整的产品	每运行5小时检查
配件	

只可使用美沃奇的配件和零件。如果需要更换未描述的组件，

请联系我们的美沃奇服务代理（请参阅我们的认可/维修的地址列表）。

如果需要，可以索取产品的分解图。咨询案件时，请您向当地的顾客服务中心提供以下资料：铭牌上的产品序列号及机型。

符号



注意！警告！危险！



启动产品前，请仔细阅读本说明。



在产品上开始任何工作之前，请先取出电池组。



佩戴手套。



务必穿着防护服和鞋类。



戴上防护头盔。
佩戴护耳器。
使用安全眼镜。



使用本产品时，请务必用两只手握住。



穿上身保护衣。



穿腿保护。



在使用过程中，让旁观者至少离开15米。



使产品与电力线保持至少15米的距离。



避免与棒尖接触。



危险！小心反冲。



链条油藏



链方向



调节锯链张力



在下雨时，不要使用产品或将产品留在户外。



此标签上显示认证的声压级为97 dB(A)。



不要将电动工具、电池组与家庭垃圾材料一起处置。当电动工具和电池组达到使用寿命时，必须单独收集，并送至环保回收机构。请与当地相关部门或经销商联系，了解回收建议和收集地点。

n_0

在无负载转速下的冲击频率

V

伏特



直流电

무부하 속도 (저속)	0-3700 min ⁻¹
무부하 속도 (고속)	0-4600 min ⁻¹
무부하 체인 속도	8.6 m/s
바 길이	254 mm
사용 가능한 절단 길이	230 mm
체인 오일 탱크 용량	140 ml
EPTA 규정 01/2014에 따른 중량	1.94 kg
소음/진동 정보	
EN ISO 22868 / EN ISO 4871에 따라 판별된 A-가중치 잡음 레벨	
음압 레벨(불확정 K=3dB(A))	85 dB(A)
음향 파워 레벨(불확정 K=3dB(A))	95 dB(A)
귀마개를 착용하십시오!	
EN 22867에 따라 판별한 전체 진동 값(3개 축의 벡터 합계).	
진동 (a _v)	1.54 m/s ²
불확정성 K	0.65 m/s ²

특정 애플리케이션 헤드에 사용 가능한 기술 데이터 및 파워베이스 목록은 애플리케이션 헤드 작동 지침을 참조하십시오.

경고!

본 정보 시트에 제공되어 있는 진동 배출 레벨은 EN ISO 22867에 제공된 표준 시험 절차에 따라 측정되었으며 이를 사용하여 제품을 서로 비교할 수 있습니다. 예비 노출 평가에 이를 사용할 수도 있습니다.

제시된 진동 배출 레벨은 제품에 가해진 주요 진동을 나타냅니다. 하지만 다른 부속품이 있거나 적절히 유지 관리되지 않은 다른 응용 기기에 제품을 사용할 경우, 진동 배출이 다를 수 있습니다. 이는 전체 작동 시간 동안 노출 레벨을 상당히 증가시킬 수 있습니다.

진동 노출 추정 레벨은 제품 전원 차단 시점 또는 제품이 작동하지만 실제로 작업을 수행하지 않을 때 횡수로 고려합니다. 이는 전체 작동 시간 동안 노출 레벨을 상당히 감소시킬 수 있습니다. 추가적인 안전 조치를 파악하여 제품 및 부속품을 유지 관리, 손을 따뜻하게 유지 및 작업 패턴 구성 등 진동 효과로부터 작업자를 보호하십시오.

추가적인 안전 조치를 파악하여 제품 및 부속품을 유지 관리, 손을 따뜻하게 유지 및 작업 패턴 구성 등 진동 효과로부터 작업자를 보호하십시오.

⚠ 경고! 제품과 함께 제공된 안전 경고 문구, 설명서, 도해 및 사양을 모두 읽으십시오. 아래의 지침을 따르지 않으면 전기 충격, 화재 및 중대한 부상을 초래할 수 있습니다. 향후 참조할 수 있도록 경고 문구와 설명서를 잘 보관해 두십시오.

⚠ 무선 고지톱 안전 지시사항

제품 사용 시 신체의 모든 부위가 제품과 닿지 않도록 거리를 유지하십시오. 제품을 시동하기 전에 제품이 어떤 물체와 접촉하고 있지 않은지 확인하십시오. 제품을 작동하는 동안 부주의한 순간 제품이 옷이나 신체에 걸릴 수 있습니다.

항상 후방 손잡이에 오른손을 두고 전방 손잡이에 왼손을 둔 상태에서 제품을 잡으십시오.

손을 바꾸어 제품을 잡으면 작업자의 부상 위험이 증가하므로 절대 그렇게 하지 마십시오.

제품이 내부 배선과 접촉할 수 있으므로 절연 그리핑 표면을 통해서만 제품을 잡으십시오. "전기가 흐르는" 배선과 접촉하는 톱 체인이 "전기가 흐르는" 전기톱의 금속 부분에 노출되어 작업자가 감전될 수 있습니다.

눈 보호 장구를 착용하십시오. 청각, 머리, 손, 다리 및 발을 보호하는 추가적인 보호 장구를 착용하는 것이 좋습니다.

적절한 보호 장구를 착용하면 날카로운 파편이나 톱 체인과의 우발적 접촉으로 인한 부상을 줄일 수 있습니다.

나무, 사다리, 옥상 또는 불안정한 지지대 위에서 제품을 사용하지 마십시오. 이러한 방법으로 제품을 조작하면 심각한 부상이 초래될 수 있습니다.

발을 적절히 위치시켜 고정되고, 안전하며 평평한 표면에 서있을 때만 제품을 조작하십시오. 미끄러거나 불안정한 표면에서 조작할 경우 균형을 잃거나 제품을 제어하지 못할 수 있습니다.

장력이 가해진 가지를 절단할 때 튕겨나올 수 있음에 주의하십시오. 목질 섬유와 장력이 해제되면 탄성 하중이 가해진 가지가 작업자를 가격하거나 제품을 제어 불가능 상태로 만들 수 있습니다.

덤불과 모목을 자를 때 특히 세심한 주의를 기울이십시오. 가느다란 가지에 톱 체인이 끼여 작업자가 있는 방향으로 휘거나 균형을 잃을 수 있습니다.

제품 스위치를 끄고 신체에서 멀리 둔 상태에서 앞면 손잡이로 제품을 운반하십시오. 제품을 운반하거나 보관할 때는 항상 가이드 바 덮개를 잠금하십시오. 제품을 적절히 취급하면 움직이는 톱 체인과 우발적으로 접촉할 가능성을 낮출 수 있습니다.

운할, 체인 장력 조정, 바 및 체인 변경에 대한 지침을 따르십시오. 부적절하게 인장되거나 운할 처리된 체인으로 인해 파손되거나 장력이 풀릴 수 있는 가능성이 증가할 수 있습니다.

손잡이를 건조하고 깨끗한 상태로 유지하고 기름과 그리스가 없어야 합니다. 그리스와 오일이 묻은 손잡이는 미끄럽기 때문에 제어력을 상실할 수 있습니다.

목재만 절단하십시오. 의도하지 않은 목적으로 제품을 사용하지 마십시오. 예를 들어, 금속, 플라스틱, 석조 또는 비목재 건축 자재 절단에 제품을 사용하지 마십시오. 의도한 것과 다른 목적의 작업을 위해 제품을 사용할 경우 위험한 상황이 초래될 수 있습니다.

나무를 베려고 하지 마십시오. 나무가 넘어갈 때 작업자 또는 주변 사람에게 심각한 상해가 발생할 수 있습니다.

걸린 재료를 제거하고 제품 보관 또는 수리 시 이와 관련된 모든 지침을 따르십시오. 스위치를 끄고 배터리 팩을 분리했는지 확인하십시오. 걸린 재료를 제거하거나 수리할 때 예기치 않게 제품이 작동하면 심각한 인원 부상이 초래될 수 있습니다.

킥백 원인 및 작업자의 방지 조치

- 가이드 바의 노즈나 끝 부분이 물체와 닿거나 절단 작업 시 나무가 안으로 들어가 톱 체인에 끼일 경우 킥백 현상이 발생할 수 있습니다.
- 일부 경우에서 끝 부분과 접촉하면 갑작스런 역방향 반응이 초래되어 가이드 바가 작업자 방향으로 튕겨져 나올 수 있습니다.
- 톱 체인이 가이드 바 상단에 끼이면 가이드 바가 작업자 방향으로 빠르게 밀려날 수 있습니다.

이러한 반응 중 하나로 인해 톱이 제어 불능 상태가 되어 심각한 부상을 초래할 수 있습니다. 톱에 내장된 안전 장치에만 전적으로 의존하지 마십시오.

제품 사용자는 절단 작업이 사그나 부상이 발생하지 않도록 몇 가지 조치를 취해야 합니다.

킥백 현상은 제품 오용 및/또는 부정확한 조작 절차 또는 조건의 결과로 발생하며 다음과 같이 적절한 예방 조치를 취함으로써 이를 방지할 수 있습니다.

- 엄지와 손가락으로 제품 손잡이를 감싸고 양손으로 제품을 단단히 잡은 다음 신체와 팔을 위치시켜 킥백 응력에 저항하십시오. 적절한 예방 조치를 취한 경우 작업자가 킥백 응력을 제어할 수 있습니다. 제품을 놓지 마십시오.
- 조작 범위를 넘지 말고 어깨 높이 위에서 자르지 마십시오. 이렇게 하면 의도하지 않은 림 접촉을 방지하고 예기치 않은 상황에서 제품을 보다 효과적으로 제어할 수 있습니다.
- 제조업체가 지정한 교체용 바 및 체인만 사용하십시오. 부적절한 교체용 가이드 바 및 체인은 체인 파손 및/또는 킥백 현상을 야기할 수 있습니다.
- 톱 체인 제조업체의 날갈이 및 유지 관리 지침을 따르십시오. 깊이 게이지 높이를 낮추면 킥백 현상이 증가할 수 있습니다.

국가 규정에 따라 제품 사용이 제한될 수 있습니다. 해당 지역 규정에 유의하십시오.

추가 안전 지침

제품을 처음 조작할 때 톱질모양 또는 크래들 위에서 나무를 자르는 것이 좋습니다.

모든 가드, 손잡이 및 스파이크 범퍼가 적절히 장착되고 양호한 상태인지 확인하십시오.

제품을 사용하는 사람은 건강 상태가 양호해야 합니다. 제품은 무거우므로 작업자는 체력이 튼튼해야 합니다.

작업자는 경계심이 있어야 하고, 시력, 운동성, 균형 감각 그리고 손재주가 있어야 합니다. 의심스러운 점이 있으면 제품을 사용하지 마십시오.

청결한 작업 공간, 안전한 발판 및 떨어지는 나무로부터 벗어날

수 있는 경로가 확보될 때까지 제품을 사용하지 마십시오. 운할유 분무와 톱밥 배출에 주의하십시오. 필요 시 마스크나 호흡 보호 장구를 착용하십시오.

포도 나무 및/또는 작은 덩불(직경 75mm 미만)은 자르지 마십시오.

조작하는 동안 항상 양손으로 제품을 잡으십시오. 엄지와 손가락으로 제품 손잡이를 감싸 그림을 단단히 잡으십시오. 오른손은 후방 손잡이에, 왼손은 전방 손잡이에 두어야 합니다. 제품을 사용하기 전에 제품이 어떤 물체와 접촉하고 있지 않은지 확인하십시오.

제품을 어떤식으로든 개조하거나 제조업체가 권장하지 않은 부착물이나 장치에 전원을 공급하는 데 제품을 사용하지 마십시오.

큰 상처 치료제가 들어있는 응급 처치 키트와 작업자 가까이에 주의를 환기시키는 수단(예: 호각)이 있어야 합니다. 보다 크고 포괄적인 키트는 가까운 곳에 배치해야 합니다.

부적절하게 조여진 체인이 가이드 바에서 튕겨나와 심각한 부상이나 사망 사고를 초래할 수 있습니다. 체인의 길이는 운도에 따라 다릅니다. 장력을 자주 점검하십시오.

안전하게 지지되는 목재를 간단히 잘라 새로운 제품에 익숙해져야 합니다. 한동안 전기톱을 조작하지 않은 경우에도 이러한 절차를 수행하십시오. 움직이는 부품 접촉과 관련된 부상의 위험을 줄이려면 항상 모터를 정지시키고 체인 브레이크를 체결하고 배터리 팩을 제거한 다음, 다음을 수행하기 전 이동하는 모든 부품을 정지시키십시오.

● 청소 또는 끼인 목재 제거

● 제품 방지

● 부착물 설치 또는 제거

● 제품 점검, 유지 관리 또는 작동

작업 면적의 크기는 수행하는 작업뿐 아니라 관련된 나무 또는 작업물의 크기에 따라 달라집니다. 예를 들어, 나무를 자를 때 다른 절단(예: 조재 절단 등) 작업을 수행하는 것보다 더 넓은 작업 면적이 필요합니다. 작업자는 작업 영역에서 이루어지는 모든 일을 인식하고 통제해야 합니다.

신체를 가이드 바 및 체인과 나란히 둔 상태에서 절단하지 마십시오. 킥백 현상이 발생하면 체인이 머리나 신체에 닿지 않도록 하십시오.

앞뒤로 움직이는 톱질 동작을 사용하지 말고 체인이 절단 작업을 수행하도록 하십시오. 체인을 날카로운 상태로 유지하고 체인을 절단부에 밀어넣으려고 시도하지 마십시오.

절단부 끝 부분에서 톱에 압력을 가하지 마십시오. 나무가 잘라질 때 전기톱의 무게를 감당할 준비를 하십시오. 이를 준수하지 않을 경우 심각한 부상이 초래될 수 있습니다.

절단 작업 도중 전기톱을 정지시키지 마십시오.

절단부에서 분리될 때까지 톱을 계속 작동하십시오. 휴대용 제품 사용 시, 온/오프 스위치를 "온" 위치로 고정하지 마십시오.

제품 사용 전, 배터리 팩을 제거하십시오.

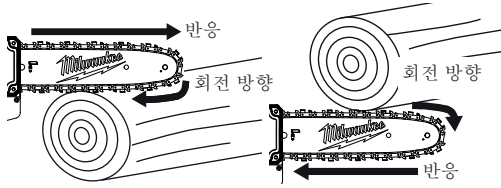
경고! 단락 회로로 인한 화재, 작업자 부상 및 제품 손상 위험을 줄이려면 톱, 배터리 팩 또는 충전기를 유체에 침수시키거나 유체가 내부로 흘러들어가지 않도록 해야 합니다. 해수, 특정한 산업용 화학 물질 및 표백제 또는 표백제 함유 제품 같은 부식성 또는 전도성 유체 등은 단락 회로를 야기할 수 있습니다.

System M18 배터리 팩을 충전하려면 System M18 충전기만 사용하십시오. 다른 시스템의 배터리 팩을 사용하지 마십시오.

배터리 팩과 충전기를 개방하지 말고, 건조한 곳에 보관하십시오. 배터리 팩은 항상 건조한 상태로 유지하십시오. 밀고 당기기

반응력은 항상 체인이 움직이는 방향과 반대입니다. 따라서

작업자는 바의 하단 가장자리 절단 시 제품이 (움직이는 방향으로) 당겨지고 상단 가장자리를 따라 절단 시 위로(작업자 방향으로) 밀리는 경향을 제어할 준비를 해야 합니다.



절단부에 톱니 끼임

제품을 중지시킨 다음, 배터리 팩을 분리하십시오. 체인이 파손될 수 있으므로 체인과 바를 절단부에서 강제로 빼내려고 시도하지 마십시오. 이 경우 스윙 백 현상이 발생하여 체인이 작업자와 부딪힐 수 있습니다. 이 상황은 일반적으로 목재가 잘못 지지되어 가압 조건에서 절단부가 밀려 블레이드가 눌러지기 때문에 발생합니다. 지지대를 조정해도 막대와 체인이 빠지지 않으면 나무 췌기나 레버를 사용하여 절단부를 열어 톱을 분리하십시오. 가이드 바가 이미 절단부 또는 배할(kef) 부분에 있는 경우 제품을 시동하지 마십시오.

미끌어짐/튀겨짐

절단하는 동안 제품이 나무를 파헤치지 못할 경우, 가이드 바가 통나무 또는 가지 표면을 따라 튀어 오르거나 위험하게 미끄러질 수 있어 제품을 제어하지 못할 수 있습니다. 스케이팅이나 튀어 오르는 것을 방지하거나 줄이려면 항상 양손으로 제품을 사용하여 톱 체인이 절단 홈에 안착되도록 합니다. 제품으로 작고 유연한 가지나 덩굴을 자르지 마십시오.

크기와 유연성으로 인해 전기톱이 쉽게 작업자 방향으로 튀어나오거나 킥백 현상을 초래하기에 충분한 힘을 축적할 수 있습니다. 이러한 종류의 작업에 알맞는 제품은 소형 톱, 전정 가위, 도끼 또는 기타 수공구 제품입니다.

개인 보호 장구

14 페이지 참조

제품을 조작하는 동안 안전모를 항상 착용하십시오. 메시 바이저가 장착된 헬멧은 킥백 현상이 발생할 경우 얼굴과 머리 부상의 위험을 줄이는 데 도움이 됩니다. 귀마개를 착용하십시오! 소음에 노출되면 청력 손상을 입을 수 있습니다.

전문가가 사용하는 양질의 개인 보호 장구는 작업자의 부상 위험을 줄이는 데 도움이 됩니다. 제품을 조작 시 다음과 같은 품목을 사용해야 합니다.

- 안전모는 EN 397을 준수하고 CE 마크가 있어야 함
- 보청기는 EN 352-1을 준수하고 CE 마크가 있어야 함
- 보안경 및 안전 보호 장치는 CE 마크가 있어야 하며 EN 166(보안경) 또는 EN 1731(메시 바이저)를 준수해야 함
- 장갑은 EN381-7을 준수하고 CE 마크가 있어야 함
- 안전화(췌)는 EN 381-5를 준수하고, CE 마크가 있어야 하며 전제적인 보호 기능을 제공해야 함
- 체인 톱 안전화는 EN ISO 20345:2004 를 준수하고 전기톱이 EN 381-3를 준수함을 나타내는 실드로 표시되어야 합니다. (경우에 따라 사용자는 지면이 고르고 덩굴에 걸리거나 덩굴에 걸릴 위험이 거의 없는 경우, EN 381-9에 부합하는 보호 게이터가 있는 철재 도구캡 안전화를 착용할 수 있습니다.)
- 상체 보호용 체인 톱 재킷은 EN 381-11을 준수해야 하며 CE 마크가 있어야 함

안전 장치

⚠ 경고! 체인 브레이크, 정화 스위치, 손 보호대(앞면과 뒷면), 스파이크 범퍼, 체인 캐치, 가이드 바, 로우 킥백 체인과 같은 안전 장치의 부적절한 유지 관리, 제거 또는 개조의 결과로

안전 장치가 제대로 작동하지 않아 심각한 부상을 초래할 가능성이 증가됩니다.

로우 킥백 톱 체인

로우 킥백 톱 체인은 킥백 현상이 발생할 가능성을 줄이는데 도움이 됩니다. 각 절단기 앞에 있는 레이커(깊이 게이지)는 절단기가 너무 깊게 파고 들어가는 것을 방지하여 킥백 반응력을 최소화할 수 있습니다. 제조업체가 권장하는 교체용 가이드 바 및 체인 조합만 사용하십시오. 톱 체인이 날카로우 일부 로우 킥백 자질을 잃게 되므로 추가적인 주의가 필요합니다. 안전을 위해 절단 성능이 저하될 때 톱 체인을 교체하십시오.

스파이크 범퍼

일체형 범퍼 스파이크는 절단 시 피벗으로 사용할 수 있습니다. 일체형 범퍼 스파이크는 절단하는 동안 제품의 몸체를 일정하게 유지하는 데 도움이 됩니다. 절단 시 스파이크가 나무 가장자리까지 파고들 때까지 제품을 앞으로 밀고 후방 손잡이를 절단선 방향으로 위 또는 아래로 움직이면 물리적인 절단 장력을 줄일 수 있습니다.

가이드 바

일반적으로 반경이 작은 가이드 바는 킥백 현상이 발생할 가능성이 다소 낮습니다. 작업을 수행하기에 충분히 긴 가이드 바 및 결합 체인을 사용하는 것이 좋습니다. 바가 길수록 절단 중 제어력을 상실할 위험이 높아집니다. 체인 장력을 정기적으로 점검하십시오. 작은 덩굴(가이드 바의 전체 길이보다 작은 덩굴)을 절단할 때, 장력이 적절하지 않으면 체인이 튀겨 나올 수 있습니다.

기본 벌목 및 횡절의 적절한 기술에 관한 지침

목재 내부의 힘 이해하기

목재 내부의 방향 압력과 응력을 이해하면 절단 시 "끼임 현상"을 줄이거나 이를 예측할 수 있습니다. 나무에 장력이 있다는 것은 섬유질이 빠져 나갔음을 의미하고 이 부분을 절단하면 톱이 지날 때 "배할" 또는 절단부가 열릴 수 있습니다. 통나무가 톱질 모양에 지지되어 있고 끝 부분이 지지되지 않은 채 걸려 있는 경우, 섬유질을 늘어뜨리는 돌출된 통나무의 무게로 인해 상단면에서 장력이 발생합니다. 이와 마찬가지로, 통나무 밑면이 압축 상태가 되어 섬유질이 함께 밀려납니다. 이 영역에서 절단이 이루어지면 절단하는 도중에 배할 부분이 닫히는 경향이 있습니다. 이와 인해 블레이드가 끼일 수 있습니다.

전정[가지치기] (이미지 섹션 참조)

⚠ 경고! 가지치기 할 가지가 제품에 닿지 않을 경우, 전문가에게 가지치기를 의뢰하십시오. 이를 준수하지 않을 경우 심각한 부상이 초래될 수 있습니다.

가지치기는 살아 있는 나무에서 가지를 손질하는 것입니다.

- 양손을 공구에 올려 단단히 조인 상태에서 천천히 작업하십시오. 발을 단단히 고정하고 체중이 양쪽 다리에 균등하게 분배되도록 항상 확인하십시오.
- 사다리 위에서 가지치기를 하지 마십시오. 이는 매우 위험합니다. 이러한 작업은 전문가에게 의뢰하십시오.
- 사용하는 동안 제품을 잡는 오른손을 가슴 높이 위로 올리지 않아야 합니다. 높은 곳에서 제품을 잡으면 킥백 응력을 제어하기 어렵습니다. 나무 가지치기를 할 때, 밑동을 자른 후 무게를 줄이기 전까지는 주요 가지 또는 용통 옆에서 마무리 절단을 하지 않는 것이 중요합니다. 이러한 작업은 주요 부재로부터 걸질을 부기는 것을 방지합니다.
- 첫 번째 절단하는 동안 가지의 1/3을 약간 잘라냅니다.
- 두 번째 절단 작업 시 가지가 떨어지도록 과도하게 잘라냅니다. 주요 부재에 대해 매끄럽고 깔끔하게 마감 처리하여 꺾질이 다시 자라서 상처를 치료하도록 하십시오.

당겨 찢기

당겨 찢기 기술을 사용하여 손질된 가지를 움켜잡고 나무

캐노피에서 당겨 빼냅니다.

가지치기

가지치기는 벌목한 나무에서 나뭇 가지를 제거하는 것입니다. 가지를 잘 때, 보다 큰 하부 가지를 남겨두어 지상과 통나무가 떨어져 지지되도록 하십시오. 소형 가지를 한 번에 제거하십시오. 장력이 있는 가지는 제품이 깨이지 않도록 가늘게 위로 자릅니다.

스프링 폴 절단

스프링폴(Springpole)은 다른 나무에 의해 인장력이 가해진 상태로 구부러져 고정하고 있는 나무를 절단하거나 제거하면 튕겨나올 수 있는 모든 통나무, 가지, 뿌리 줄기 또는 묘목을 의미합니다.

쓰러진 나무에서, 통나무를 그루터기에서 분리하기 위해 조제 절단 중에 뿌리 그루터기가 수직 위치로 다시 튕겨나올 가능성이 높습니다. 위험하므로 스프링폴에 주의하십시오.

경고! 스프링 폴은 위험하고 작업자와 부딪힐 수 있으므로 작업자가 제품을 제어하지 못할 수 있습니다. 이는 작업자에게 심각하거나 치명적인 부상을 초래할 수 있습니다. 이 작업은 숙련된 사용자가 수행해야 합니다.

추가 안전 지침

일부 지역에는 제품 사용을 제한하는 규정이 있습니다. 현지 규제 당국에 조언을 구하십시오.

어린이 또는 사용법을 숙지하지 않은 사람은 제품을 사용하지 않도록 하십시오. 현지 규정에 따라 작업자의 연령이 제한될 수 있습니다.

제품을 사용할 때마다 모든 제어 장치 및 안전 장치가 적절히 기능하는지 확인하십시오. "차단" 스위치로 모터를 정지할 수 없는 경우, 제품을 사용하지 마십시오.

헐렁한 옷, 짧은 바지, 일체의 귀금속류를 착용하지 마십시오.

긴 머리카락은 어깨 높이 위로 오도록 묶거나 올려 고정하여 자칫 움직이는 부품에 말려들지 않게 하십시오.

비산하거나 낙하하는 물체에 주의하십시오. 모든 구멍, 어린이 및 동물은 작업장에서 최소 15m 이상 떨어져 있어야 합니다.

열악한 조명 조건에서 제품을 사용하지 마십시오. 작업자는 잠재적 위험 요소가 없는지 파악하기 위해 작업 구역을 세심하게 살펴야 합니다.

청력 보호 장치를 착용하면 청력 경보음(다른 작업자의 외침 또는 알람)을 들을 수 있는 능력이 저하될 수 있습니다. 작업자는 작업 구역에서 무슨 일이 발생하는지 세심한 주의를 기울여야 합니다.

근처에서 유사한 제품을 사용하면 청력 손상의 위험이 높아지고 다른 작업자가 작업 구역으로 들어갈 가능성이 높아집니다.

디딤 자세와 균형을 유지하십시오. 경계선을 넘지 마십시오.

먼 거리에 있는 나무를 절단할 경우 균형 감각을 상실하고 리스크 위험을 증가시킬 수 있습니다.

신체의 모든 부위를 이동하는 부품과 멀리 두십시오.

사용하기 전에 제품을 검사합니다. 체인 브레이크를 포함한 모든 제어 장치가 적절히 작동하는지 점검하십시오. 느슨한 패스너가 없는지 점검합니다. 모든 가드 및 핸들이 올바르게 안전하게 부착되어 있는지 확인하십시오. 사용하기 전에 손상된 모든 부품을 교체하십시오.

어떤 식으로든 제품을 개조하거나 제조업체가 권장하지 않는 부품과 부속품을 사용하지 마십시오.

경고! 제품을 떨어뜨리고, 상당한 충격을 경험하거나 비정상적인 진동이 발생할 경우, 제품 사용을 즉시 중단하고 손상 여부를 검사하거나 진동 원인을 파악합니다. 손상된 경우 MILWAUKEE 수리 센터에서 제품을 적절히 수리하거나 교체해야 합니다.

사용된 배터리 팩을 가정용 쓰레기와 함께 폐기하거나, 태우지 마십시오. 밀워키는 환경 보호를 위해 오래된 배터리 팩을 회수하는 것을 권장합니다. 배터리 팩을 금속 물체와 함께 보관하지 마십시오(단락 회로 위험).

System M18 배터리 팩을 충전하려면 System M18 충전기만 사용하십시오. 다른 시스템의 배터리 팩을 사용하지 마십시오. 극심한 부하 또는 극심한 온도 조건에서 손상된 배터리로부터 배터리 산이 누출될 수 있습니다. 배터리 산과 접촉할 경우, 비누물로 즉시 세척하십시오. 눈과 접촉할 경우, 최소 10분 동안 철저히 세정한 후 즉각적인 의료 조치를 취하십시오.

추가 배터리 안전 주의 사항

⚠ 경고! 단락 회로로 인한 화재, 작업자 부상 및 제품 손상 위험을 줄이려면 톨, 배터리 팩 또는 충전기를 유체에 침수시키거나 유체가 내부로 흘러들어가지 않도록 해야 합니다. 해수, 특정한 산업용 화학 물질 및 표백제 또는 표백제 함유 제품 같은 부식성 또는 전도성 유체 등은 단락 회로를 야기할 수 있습니다.

위험 감소

휴대용 공구의 진동은 특정 개인에게 레이노 증후군(Raynaud's Syndrome)이라는 증상에 영향을 줄 수 있다고 보고되었습니다. 증상으로는 따끔거림, 감각마비 및 일반적으로 차가운 물체에 노출될 경우 멍백하게 나타나는 손가락 창백 등을 들 수 있습니다. 유전적 요인, 추위와 습기에 노출, 식사, 흡연 및 작업 관행은 모두 이러한 증상의 발달에 기여하는 것으로 간주됩니다. 진동의 영향을 줄이기 위해 작업자가 취할 수 있는 여러 가지 조치가 있습니다.

- 차가운 기후 조건에서 몸을 따뜻하게 유지하십시오. 장비 조작 시 장갑을 착용하여 손과 손목을 따뜻하게 유지하십시오.
- 작업을 수행한 이후에는 혈액 순환을 증가시키기 위해 운동하십시오.
- 자주 휴식을 취하십시오. 일일 노출 시간을 제한하십시오.
- 전문 전기톱 소매업체에서 제공하는 보호 장갑은 전기톱 사용을 위해 특별히 설계되어 보호 기능이 뛰어나고 강화한 그림감을 제공하며 손잡이의 진동을 줄여줍니다. 이 장갑은 EN 381-7을 준수해야 하며 CE 마크가 있어야 합니다.

이러한 상태에 대한 증상이 있는 경우, 사용을 즉시 중단하고 의사와 상담하십시오.

⚠ 경고! 장시간 제품을 사용하면 부상을 입거나 증상이 악화될 수 있습니다. 장시간 제품 사용 시 규칙적인 휴식을 취하십시오.

운송 및 보관

제품 작동을 멈추고 배터리를 분리한 다음, 충분히 식힌 후에 보관하거나 운송하십시오.

제품에 있는 모든 이물질질을 청소하십시오. 어린이의 손이 닿지 않고, 서늘하고 건조하고 통풍이 잘되는 곳에 제품을 보관하십시오. 조경용 화학 물질이나 제빙염과 같은 부식성 물질에서 떨어진 곳에 보관하십시오. 실외에 보관하지 마십시오.

차량으로 운송하려면 제품이 움직이거나 떨어지지 않도록 잘 고정하여 사람이 다치거나 제품이 손상되지 않도록 조치하십시오.

리튬 배터리의 운송

리튬 이온 배터리는 위험물 법률 요건의 적용을 받습니다.

이 배터리는 현지, 국내 및 국제 규정과 법규에 따라 운송해야 합니다.

- 사용자는 추가 요건 없이 배터리를 도로를 통해 운반할 수 있습니다.
- 제3자가 리튬 이온 배터리를 상용으로 운송할 때에는 위험물 규정의 적용을 받습니다. 운송 준비 및 운송 작업은 적절히 교육을 이수한 개인만 수행해야 하고 그 과정에 해당 전문가가 동행해야 합니다.

배터리 운송 시 :

- 배터리 접촉면을 보호 및 차단하여 합선 위험을 방지하십시오.
 - 배터리 팩이 포장 내에서 움직이지 않도록 고정하십시오.
 - 균열 또는 누출이 있는 배터리는 운송하지 마십시오.
- 추가 지침은 운송 회사에 확인하십시오.

잔여 위험

제품을 설명서대로 사용하더라도 위험 요소를 완전히 제거하는 것은 여전히 불가능합니다.

사용 중에 다음과 같은 위험이 발생할 수 있으며, 작업자는 위험 상황을 피하기 위해 특별한 주의를 기울여야 합니다.

- 블레이드 접촉으로 인해 야기된 부상 블레이드와 접촉할 경우 심각한 부상이 야기될 수 있습니다. 자신과 타인으로부터 블레이드를 멀리 두십시오. 절단 작업을 하지 않을 때마다 블레이드 보호 장치로 블레이드를 덮으십시오.
- 진동으로 인한 부상이 생길 수 있습니다. 이에 손잡이를 잘잡고, 작업시간과 노출을 제한하십시오.
- 소음에 노출되면 청력 손상을 입을 수 있습니다. 청력 보호구를 착용하고 소음에 대한 노출을 제한하십시오.
- 비산하는 파편으로 인한 부상 항상 눈 보호 장치, 길이가 긴 바지, 장갑 및 안전화를 착용하십시오.

지정된 사용 조건

제품은 실외 전용입니다.

이 제품은 벌목에 적합하지 않습니다.

안전상의 이유 때문에 항상 양손 조작 방법을 통해 풀톱을 적절히 제어해야 합니다.

제품은 가지, 나무 몸통, 통나무 그리고 가이드 바의 절단 길이에 의해 결정되는 직경의 기둥을 절단하기 위해 설계되었습니다. 본 제품은 목재를 절단할 목적으로만 설계되었습니다. 위험 및 제품을 사용하는 동안 취해야 하는 예방 조치/행동 조치에 대한 적절한 교육을 이수한 성인만 본 제품을 사용해야 합니다.

지정된 사용 조건에 명시되지 않은 목적으로 제품을 사용하지 마십시오. 제품은 전문 조경 목적으로 사용하지 않아야 합니다. 제품은 아동이나 적절한 개인 보호 장구 및 의복을 착용하지 않은 개인이 사용할 수 없습니다.

경고! 제품을 사용할 때는 안전 수칙을 준수해야 합니다. 자신의 안전과 다른 사람의 안전을 위해 제품을 사용하기 전에 이 지침을 읽고 완전히 이해해야 합니다. 전기 톱의 사용, 예방 조치, 응급 처치 및 유지 보수와 관련하여 전문적으로 구성된 안전 교육을 이수해야 합니다. 나중에 사용하기 위해 이 지침을 안전하게 보관하십시오.

경고! 전기 톱은 잠재적으로 위험한 제품입니다. 전기 톱 사용과 관련된 사고로 인해 종종 팔다리를 잃거나 사망에 이를 수 있습니다. 전기 톱만 위험한 것이 아닙니다. 떨어지는 나뭇 가지, 쓰러지는 나무 및 구르는 통나무로 인해 다치거나 사망할 수 있습니다. 병에 들거나 썩은 목재는 추가적인 위험을 초래합니다. 작업을 안전하게 완료할 수 있는지 확인해야 합니다. 의심스러운 점이 있으면 전문적인 나무 치료 전문가에게 말하십시오.

이 제품을 정상적인 사용법 이외의 방법으로 사용하지 마십시오.

배터리

장시간 사용하지 않은 배터리 팩은 사용하기 전에 충전해야 합니다.

50°C(122°F)를 초과하는 온도는 배터리 팩의 성능을 저하시킵니다. 열이나 햇볕에 오래 노출시키지 마십시오(과열 위험).

충전기 접점 및 배터리 팩을 청결한 상태로 유지해야 합니다.

최적의 수명을 보장하려면 사용한 후에 배터리 팩을 완전히 충전해야 합니다.

배터리 수명을 최대한 연장하려면 완전히 충전된 경우 충전기에서 배터리 팩을 제거하십시오.

- 30일 이상 배터리 팩을 보관하는 경우: 온도가 27°C 이하이며 습기가 없는 장소에 배터리 팩을 보관하십시오.
- 배터리 팩을 30% - 50% 충전된 조건으로 보관하십시오.
- 보관한지 6개월이 경과할 때마다 팩을 정상적으로 충전하십시오.

유지 관리

체인 윤활유 추가 (이미지 섹션 참조)

경고! 체인 윤활유가 없는 상태에서는 제품을 작동시키지 마십시오. 윤활유가 없는 상태에서 톱 체인을 구동하면 가이드 바 및 톱 체인이 손상될 수 있습니다. 제품을 사용하기 전에 오일 레벨 게이지의 오일 레벨을 자주 점검해야 합니다.

작업하는 동안 오일이 충분하도록 오일 저장소를 1/4 이상 가득 채우십시오.

참고: 전기 작업 시 식물성 체인 오일을 사용하는 것이 좋습니다. 광유는 나무에 해를 끼칠 수 있습니다. 자동차용 페오일이나 매우 끈끈한 오일을 사용하지 마십시오. 전기 톱이 손상될 수 있습니다. 오일되지 않도록 하려면 오일 캡 주변 표면을 깨끗이 청소하십시오.

체인 장력 조절 (이미지 섹션 참조)

! 경고! 톱 체인은 날카롭습니다. 체인 유지 보수 시 항상 보호 장갑을 착용하십시오.

체인 커터와 바 사이의 간격이 약 3 mm일 때 체인 장력이 적절한 것입니다. 바의 아래쪽 중간에 위치한 체인을 아래 방향으로 당겨(바에서 멀리 당김) 바와 체인 커터 사이의 거리를 측정하십시오. 바 장착 너트를 시계 반대 방향으로 돌려 조입니다.

참고: 체인에 과도한 장력을 가하지 마십시오. 과도한 장력으로 인해 과도한 마모가 발생하고 체인 수명이 단축되며 바가 손상될 수 있습니다. 처음에 사용할 때 체인이 늘어나 느슨해 질 수 있습니다. 처음 사용하고 2시간이 지난 후 배터리 팩을 분리하고 체인 장력을 자주 점검하십시오. 정상 작동 중에 체인의 온도가 상승하여 체인이 늘어날 수 있습니다. 체인 장력을 자주 점검하고 필요 시 장력을 조절하십시오. 예열되어 있는 동안 장력이 가해진 체인은 냉각 시 너무 지나치게 팽팽해질 수 있습니다. 지침에 명시된 바에 따라 체인 장력이 올바르게 조절되었는지 확인하십시오.

체인 및 바

몇 시간 사용 후 드라이브 커버, 가이드 바 및 체인을 제거하고 부드러운 브러시로 철저히 청소하십시오. 바의 오일 주입 구멍에 파편이 없어야 합니다. 둔탁한 체인을 날카로운 체인으로 교체할 때는 체인 바를 아래에서 위로 돌려주는 것이 좋습니다.

유지 보수 일정

바 윤활	사용하기 전
체인 장력	빈번하게 사용하기 전
체인 갈기	사용하기 전, 육안 검사

손상된 부품이 없는지 점검
 사용하기 전, 육안 검사

패스너가 느슨한지 여부 점검
 사용하기 전 점검 및 청소

가이드 바
 사용한 후 점검 및 청소

완제품
 작동 5시간 마다 점검

액세서리

반드시 MILWAUKEE 부속품과 MILWAUKEE 예비품을 사용하십시오. 설명서에 제공되어 있지 않은 구성품을 교체할 필요가 경우 Milwaukee 서비스 센터 중 한 곳에 연락하십시오 (보증/서비스 센터 주소 목록을 참조).

MILWAUKEE 액세서리와 부속품만 사용하십시오. 언급되지 않은 부품을 교체해야 하는 경우, MILWAUKEE 서비스 센터에 문의하십시오. (보증/서비스 주소 목록 참조). 필요 시, 제품 분해도를 주문할 수 있습니다. 가까운 서비스 대리점에서 라벨에 인쇄된 제품 유형을 알려주고 제품 분해도를 주문하십시오.

기호



주의! 경고! 위험!



제품 사용 전, 설명서를 자세히 읽으십시오.



제품 사용 전, 배터리 팩을 제거하십시오.



장갑을 착용하십시오!



항상 보호복과 안전화를 착용하십시오.



보호용 헬멧을 착용하십시오.
 귀마개를 착용하십시오!
 보안경을 착용하십시오.



제품을 사용할 때는 항상 두 손을 사용하십시오.



상체 보호의를 착용하십시오.



안전화를 착용하십시오.



사용하는 동안 구경꾼들이 적어도 15m 거리를 유지하도록 하십시오.



제품을 전력선으로부터 적어도 15m 떨어진 곳에 두십시오.



바 트립과의 접촉을 피하십시오.



위험! 킥백 현상을 숙지하십시오.



체인 오일 저장소



체인 방향



체인 장력 조절



비 속에서 사용하거나 비가 오는 동안 실외에 놓아두지 마십시오.



이 라벨에 표시된 보장 음향 출력 레벨은 96dB(A)입니다.



전동 공구 및 배터리 팩을 폐기할 때 일반 가정용 쓰레기와 함께 섞어서 버리면 안 됩니다. 수명이 다한 전동 공구와 배터리는 별도로 수거하여 환경적으로 호환되는 재생 시설로 반품해야 합니다. 재활용에 관한 조언과 수거 지점에 대해서는 지방 정부당국이나 소매업자에게 확인하십시오.



무부하 상태에서의 스트로크 레이트(분당 스트로크)



전압(볼트)



직류

ความเร็วโดยไม่มีภาระโหลด (ความเร็วต่ำ)	0–3700 min ⁻¹
ความเร็วโดยไม่มีภาระโหลด (ความเร็วสูง)	0–4600 min ⁻¹
ความเร็วใบเลื่อยที่ไม่มีภาระ	8.6 m/s
ความยาวบาร์โซ	254 mm
ความยาวการตัดที่โซใช้ได้	230 mm
ความจุของถังน้ำมันหล่อลื่นใบเลื่อย	140 ml
น้ำหนักตามขั้นตอนของ EPTA 01/2014	1.94 kg

ข้อมูลเกี่ยวกับเสียงรบกวน/การสั่น

ระดับเสียงดังที่วัดสอดคล้องตามมาตรฐาน EN ISO 22868 / EN ISO 4871

ระดับความดันเสียง (ค่า K แปรผัน = 3dB(A))	85 dB(A)
ระดับกำลังเสียง (ค่า K แปรผัน = 3dB(A))	95 dB(A)

อย่าลืมใส่อุปกรณ์ป้องกัน!

ค่าการสั่นสะเทือนรวม (ผลรวมเวกเตอร์ในสามแกน) ที่กำหนดตาม EN 22867

การสั่น (a _w)	1.54 m/s ²
ค่า K แปรผัน	0.65 m/s ²

สำหรับข้อมูลทางเทคนิคและรายชื่อฐานพลังงานที่สามารถใช้ร่วมกับหัวสำหรับการใช้งานที่เฉพาะเจาะจง โปรดดูคู่มือการใช้งานของหัวสำหรับการใช้งานนั้น

คำเตือน!

ระดับการสั่นสะเทือนที่ให้อ่านในเอกสารนี้ได้รับการวัดให้สอดคล้องกับการทดสอบมาตรฐานตาม EN ISO 22867 และอาจใช้เปรียบเทียบผลิตภัณฑ์หนึ่งกับอีกผลิตภัณฑ์หนึ่ง ซึ่งอาจใช้ในการประเมินการสัมผัสแรงสั่นสะเทือนเบื้องต้น ระดับการสั่นสะเทือนที่แจ้งไว้คือระดับที่เกิดขึ้นจากการใช้งานหลัก อย่างไรก็ตาม หากใช้งานผลิตภัณฑ์ในลักษณะอื่น ด้วยอุปกรณ์เสริมที่แตกต่างจากที่แนะนำไว้ หรือขาดการบำรุงรักษาที่เหมาะสม แรงสั่นสะเทือนที่ส่งออกมาอาจมีการเปลี่ยนแปลงไป ซึ่งอาจเพิ่มระดับการสัมผัสแรงสั่นสะเทือนขึ้นอย่างมากตลอดช่วงการทำงานทั้งหมด

ให้พิจารณาประเมินระดับความเสี่ยงของการสั่นทุกครั้งขณะปิดเครื่องของอุปกรณ์แล้วหรือเมื่อเปิดเครื่องของอุปกรณ์แล้วแต่ยังไม่ได้ใช้งาน ซึ่งอาจลดระดับการสัมผัสแรงสั่นสะเทือนลงอย่างมากตลอดช่วงการทำงานทั้งหมด อำนาจการต้านความปลอดภัยเพิ่มเติมเพื่อปกป้องผู้ใช้จากผลของแรงสั่นสะเทือน เช่น การบำรุงรักษาผลิตภัณฑ์และอุปกรณ์เสริม การคอยดูแลให้มืออุ่น และการวางแผนรูปแบบการทำงานให้เป็นระเบียบ

คำเตือน! อ่านวิธีใช้ ภาพประกอบ ข้อมูลจำเพาะ และคำเตือนด้านความปลอดภัยทั้งหมดที่ใหม่กับผลิตภัณฑ์ การไม่ปฏิบัติตามคำแนะนำที่แสดงอยู่ด้านล่าง อาจทำให้เกิดไฟฟ้าช็อต เพลิงไหม้ และ/หรือการบาดเจ็บรุนแรงได้

โปรดเก็บเอกสารคำเตือนและคำแนะนำทั้งหมดเพื่อใช้อ้างอิงในอนาคต

คำเตือนเกี่ยวกับความปลอดภัยของเครื่องเลื่อยแบบมีด้ามโซ่

ดูแลให้ทุกส่วนของร่างกายห่างจากผลิตภัณฑ์ขณะใช้งานเสมอ ก่อนเริ่มใช้ผลิตภัณฑ์ ให้ตรวจสอบว่าผลิตภัณฑ์ไม่สัมผัสสิ่งใด หากไม่ระมัดระวังระหว่างใช้งานผลิตภัณฑ์ อาจทำให้เสื้อผ้าหรือร่างกายของคุณสัมผัสกับผลิตภัณฑ์ได้

ใช้มือขวาของคุณจับยึดที่ด้ามจับด้านหลังและใช้มือซ้ายจับยึดที่ด้ามจับด้านหน้าของอุปกรณ์ให้มั่นคง

การถือผลิตภัณฑ์โดยไม่มีจบบนตามที่กำหนดไว้จะเพิ่มความเสี่ยงในการเกิดอุบัติเหตุได้ ซึ่งไม่ควรปฏิบัติเช่นนั้น

จับยึดอุปกรณ์โดยจับบริเวณพื้นผิวที่หุ้มฉนวนเท่านั้น เนื่องจากผลิตภัณฑ์อาจสัมผัสกับสายไฟที่ซ่อนอยู่ได้ ใบเลื่อยที่สัมผัสกับสายไฟที่ “มีกระแสไฟฟ้า” อาจทำให้ชิ้นส่วนโลหะของเลื่อยไฟฟ้าที่สัมผัส “มีกระแสไฟฟ้า” และอาจทำให้ผู้ใช้งานถูกไฟฟ้าช็อตได้

สวมใส่อุปกรณ์ป้องกันดวงตา และนำใส่หมวกป้องกันศีรษะ มือ ขา และเท้า อุปกรณ์ป้องกันที่เพียงพอจะช่วยลดความเสี่ยงในการบาดเจ็บจากเศษผงที่ปลิวออกมาหรือการสัมผัสกับใบเลื่อยที่ไม่ได้ตั้งใจ

ห้ามใช้งานผลิตภัณฑ์บนต้นไม้ บนบันได จากหลังคา หรือพื้นที่ที่ไม่มั่นคง การใช้งานผลิตภัณฑ์ในพื้นที่ดังกล่าวอาจก่อให้เกิดอุบัติเหตุร้ายแรงได้

ให้หาพื้นที่ที่เหมาะสมและใช้งานผลิตภัณฑ์เฉพาะกับพื้นที่ที่มั่นคงปลอดภัย และได้ระดับ พื้นที่ที่ลื่นหรือไม่มั่นคงอาจทำให้สูญเสียการทรงตัวหรือการควบคุมผลิตภัณฑ์ได้

หากทำการตัดกิ่งไม้ที่มีแรงตึง โปรดระวังการตัดกลับ หากความตึงในเส้นใยของไม้คลายออก กิ่งไม้ที่มีแรงตึงอาจตัดกลับใส่ผู้ใช้งานและ/หรือตัดตัวผลิตภัณฑ์ออกจากริมมือผู้ใช้งานได้

โปรดระมัดระวังเป็นพิเศษเมื่อทำการตัดพุ่มไม้หรือต้นอ่อน ส่วนที่บางเบาอาจพันเข้ากับใบเลื่อยได้และอาจพาดกลับมาที่คุณหรือทำให้คุณเสียการทรงตัวได้

ให้ถือผลิตภัณฑ์ที่ด้ามจับด้านหน้าโดยให้เปิดเครื่องผลิตภัณฑ์และถือให้ห่างจากร่างกาย เมื่อขนส่งอุปกรณ์หรือจัดเก็บอุปกรณ์ ให้ใส่ตัวครอบบาร์โซ่เข้าไปเสมอ การถือผลิตภัณฑ์อย่างไม่ถูกต้องจะช่วยลดความเสี่ยงในการสัมผัสกับใบเลื่อยที่ทำงานอยู่โดยไม่ตั้งใจได้

ปฏิบัติตามคำแนะนำในการหล่อลื่น การปรับความตึงของใบเลื่อย

และการเปลี่ยนบาร์และใบเลื่อย ใบเลื่อยที่มีความตึงไม่เหมาะสมหรือมีการหล่อลื่นที่ไม่เพียงพออาจเสียหายหรือเพิ่มโอกาสในการติดกลับได้

ดูแลให้ตมจับแห้ง สะอาด และปราศจากน้ำมันและน้ำมันหล่อลื่นเสมอ ตมจับที่มีคราบไขมันอาจทำให้ตมจับลื่นซึ่งทำให้สูญเสียการควบคุม

ใช้ตัดไม้เท่านั้น ห้ามใช้ผลิตภัณฑ์เพื่อจุดประสงค์อื่นที่ไม่ได้กำหนดไว้ ตัวอย่างเช่น ห้ามใช้ผลิตภัณฑ์ในการตัดโลหะ พลาสติก อีฐ หรือวัสดุอื่นใดที่ไม่ได้ทำจากไม้ การใช้ผลิตภัณฑ์สำหรับปฏิบัติงานในแบบที่แตกต่างไปจากวัตถุประสงค์ที่กำหนดไว้อาจส่งผลให้เกิดสถานการณ์ที่เป็นอันตราย

อย่าใช้ผลิตภัณฑ์เพื่อโค่นต้นไม้ลง ซึ่งอาจก่อให้เกิดอาการบาดเจ็บร้ายแรงกับผู้ใช้งานหรือบุคคลใกล้เคียงได้ขณะตัดต้นไม้

ให้ปฏิบัติตามคำแนะนำทุกประการในการจัดการวัสดุที่ติดขัด การจัดเก็บผลิตภัณฑ์ หรือการซ่อมแซมผลิตภัณฑ์ ตรวจสอบให้แน่ใจว่าปิดสวิทช์และนำชุดแบตเตอรี่ออกแล้ว การเปิดทำงานอุปกรณ์โดยไม่คาดหมายในระหว่างการตัดการกับวัสดุที่ติดขัดหรือการซ่อมแซมอาจก่อให้เกิดอาการบาดเจ็บที่รุนแรงได้

สาเหตุและการป้องกันจากการติดกลับ

- การติดกลับอาจเกิดขึ้นได้หากปลายบาร์ใบเลื่อยสัมผัสกับวัตถุใดวัตถุหนึ่งหรือมีชิ้นไม้ติดขัดและยึดใบเลื่อยเอาไว้
- การสัมผัสที่สั่นปลาญในบางกรณีอาจก่อให้เกิดการติดกลับกับพื้นซึ่งจะติดบาร์ใบเลื่อยกลับไปยังผู้ใช้งาน
- การยึดใบเลื่อยที่ด้านบนของบาร์ใบเลื่อยอาจดันบาร์ใบเลื่อยกลับไปยังผู้ใช้งานอย่างกะทันหัน

การติดกลับทั้งสองอาจทำให้คุณสูญเสียการควบคุมเลื่อยซึ่งอาจก่อให้เกิดอุบัติเหตุร้ายแรงได้ อย่าพึ่งพาเฉพาะอุปกรณ์รักษาความปลอดภัยของเลื่อยไฟฟ้าเท่านั้น

ในฐานะผู้ใช้ผลิตภัณฑ์ คุณควรดำเนินการหลายขั้นตอนในการหลีกเลี่ยงอุบัติเหตุและอาการบาดเจ็บในการตัด

การติดกลับเป็นผลมาจากการใช้งานผลิตภัณฑ์ที่ไม่ถูกต้องและ/หรือขั้นตอนหรือเงื่อนไขของการใช้งานที่ไม่ถูกต้อง ซึ่งสามารถหลีกเลี่ยงได้โดยอ่านข้อควรระวังที่ถูกต้อง ดังต่อไปนี้

- **จับตมจับของผลิตภัณฑ์ด้วยสองมือให้แน่นโดยให้นิ้วมือโอบล้อมตมจับและวางตำแหน่งแขนให้รับแรงต้านติดกลับได้** ผู้ใช้งานสามารถควบคุมแรงติดกลับได้ หากดำเนินการตามข้อควรระวังอย่างถูกต้อง ห้ามปล่อยมือจากผลิตภัณฑ์
- **ห้ามเอื้อมไกลเกินไป และห้ามตัดเหนือความสูงไหล่** ซึ่งช่วยหลีกเลี่ยงการสัมผัสที่สั่นปลาญอันไม่พึงประสงค์และช่วยให้สามารถควบคุมผลิตภัณฑ์ได้ดีขึ้นในสถานการณ์ไม่พึงประสงค์
- **ให้ใช้บาร์และใบเลื่อยให้ผลิตภัณฑ์เฉพาะไว้เท่านั้น** การเปลี่ยนบาร์ใบเลื่อยและใบเลื่อยที่ไม่ถูกต้องอาจทำให้ใบเลื่อยเสียหายและ/หรือติดกลับได้

- **ปฏิบัติตามคำแนะนำในการดูแลรักษาและลับใบเลื่อยของผู้ผลิต**

การลดความสูงของเกดความลึกอาจทำให้อัตราการติดกลับเพิ่มสูงขึ้น **กฎหมายแห่งชาติบางแห่งอาจจำกัดการใช้ผลิตภัณฑ์นี้** โปรดตรวจสอบกฎหมายของท้องถิ่น

คำแนะนำด้านความปลอดภัยเพิ่มเติม

แนะนำให้ตัดต้นไม้บนข้างตั้งหรือบนรองขณะใช้งานผลิตภัณฑ์ครั้งแรก ตรวจสอบให้แน่ใจว่าอุปกรณ์ป้องกัน ตมจับ และกันชนติดตั้งอย่างถูกต้องและอยู่ในสภาวะดี

บุคคลที่ใช้งานผลิตภัณฑ์ควรมีสภาพร่างกายแข็งแรงดี เนื่องจากผลิตภัณฑ์มีน้ำหนักมาก ผู้ใช้งานจึงจำเป็นต้องมีร่างกายแข็งแรง

ผู้ใช้งานควรตื่นตัว มองเห็นได้ดี เคลื่อนไหวได้คล่องแคล่ว มีการทรงตัวดี และมีความชำนาญ หากไม่เป็นเช่นนั้น ห้ามใช้งานผลิตภัณฑ์

ห้ามใช้งานผลิตภัณฑ์ หากคุณไม่อยู่ในพื้นที่โล่ง ไม่มีฐานยืนที่ปลอดภัย และไม่มีเส้นทางหลบจากต้นไม้ที่โค่นลงมา โปรดระวังไอเสียของน้ำมันหล่อลื่นและขี้เลื่อย สวมใส่หน้ากากหรือหน้ากากป้องกันก๊าซพิษ หากจำเป็น

ห้ามตัดเถาวัลย์และ/หรือต้นไม้ขนาดเล็ก (ที่มีเส้นผ่าศูนย์กลางน้อยกว่า 75 มม.)

ให้ใช้สองมือถือผลิตภัณฑ์ระหว่างการใช้งานเสมอ จับตมจับโดยให้นิ้วมือโอบล้อมตมจับของผลิตภัณฑ์ หรืออาจต้องจับที่ตมจับด้านหลังและมือซ้ายต้องจับที่ตมจับด้านหน้า

ก่อนเริ่ม ใช้ผลิตภัณฑ์ ให้ตรวจสอบว่าผลิตภัณฑ์ไม่มีผลรั่วใดๆ

ห้ามตัดแปลงผลิตภัณฑ์เด็ดขาดหรือใช้ผลิตภัณฑ์ในการเพิ่มกำลังอุปกรณ์ติดตั้งหรือผลิตภัณฑ์ที่ผู้ผลิตผลิตภัณฑ์ไม่ได้แนะนำ

ความผิดพลาดของผลิตภัณฑ์ที่มีน้ำหนักและอุปกรณ์เรียกความสนใจ (เช่น นกหวีด) อยู่ใกล้กับผู้ใช้งาน ควรให้ชุดเครื่องมือที่มีอุปกรณ์ครอบคลุมมากกว่าอยู่ใกล้เคียงพอสมควร

ระดับความตึงของใบเลื่อยที่ไม่ถูกต้องอาจทำให้ใบเลื่อยตัดออกจากรายใบเลื่อยและอาจก่อให้เกิดอุบัติเหตุร้ายแรงและถึงขั้นเสียชีวิตได้ ความยาวของใบเลื่อยขึ้นอยู่กับอุณหภูมิ ให้ตรวจสอบความตึงอยู่เสมอ

คุณควรใช้งานผลิตภัณฑ์ใหม่จนคุ้นชินโดยการตัดไม้ที่วางรองไว้อย่างปลอดภัย โดยให้ปฏิบัติตามครั้งที่คุณไม่ได้ใช้งานเลื่อยไฟฟ้าเป็นเวลานาน เพื่อลดความเสี่ยงในการเกิดอาการบาดเจ็บที่เกิดจากการสัมผัสกับชิ้นส่วนที่ทำงานอยู่ ให้ปิดเครื่อง ปิดใช้ตัวเบรกใบเลื่อย นำชุดแบตเตอรี่ออก และตรวจสอบให้แน่ใจว่าชิ้นส่วนที่เคลื่อนไหวได้หยุดทำงานแล้ว ก่อน:

- ทำความสะอาดหรือจัดวัสดุที่ติดขัด
- วางผลิตภัณฑ์ทิ้งไว้
- ติดตั้งหรือถอดอุปกรณ์
- ตรวจสอบ บำรุงรักษา หรือใช้งานผลิตภัณฑ์

ขนาดพื้นที่ในการทำงานและขึ้นอยู่กับงานที่จะทำ รวมถึงขนาดของต้นไม้หรือชิ้นงาน ตัวอย่างเช่น การตัดต้นไม้ตัดที่มีพื้นที่ในการทำงานที่ใหญ่กว่าการตัดอื่นๆ (เช่น การตัดต้นไม้) ผู้ใช้งานต้องระมัดระวังและควบคุมทุกอย่างในพื้นที่ทำงานได้

ห้ามตัดโดยที่คุณอยู่นอกรายบาร์ใบเลื่อยและใบเลื่อย โดยจะช่วยหลีกเลี่ยงไม่ให้ใบเลื่อยตัดใส่ศีรษะหรือลำตัวของคุณ หากเกิดการติดกลับ

ไม่ต้องขยับเลื่อยไปมาก ปล่อยให้เลื่อยตัดเอง ลับใบเลื่อยให้คมเสมอ และอย่าพยายามดันใบเลื่อยระหว่างการตัด

ห้ามดันเลื่อย เมื่อตัดใกล้เสร็จ เตรียมพร้อมรับน้ำหนักเลื่อย เมื่อตัดไม้เสร็จ หากไม่ปฏิบัติตามนั้น อาจก่อให้เกิดอาการบาดเจ็บร้ายแรงได้

ห้ามปิดเลื่อยระหว่างการตัด

เปิดให้เลื่อยทำงาน จนกว่าจะนำเลื่อยออกจากรอยตัด ห้ามล็อกสวิทช์เปิด/ปิดไว้ในตำแหน่ง "เปิด" ขณะใช้งานผลิตภัณฑ์แบบพกพา

ถอดชุดแบตเตอรี่ออกก่อนเริ่มการทำการใดๆ กับผลิตภัณฑ์

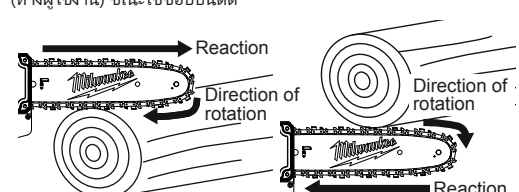
คำเตือน! วิธีลดความเสี่ยงในการเกิดไฟไหม้ การบาดเจ็บส่วนบุคคล และความเสียหายต่อผลิตภัณฑ์ จากการสัลดวงร อ่างจุ่มเครื่องมือ ก่อนแบตเตอรี่หรือเครื่องชาร์จไฟลงในของเหลวหรือปล่อยให้ของเหลวซึมเข้าสู่ภายในของเหลวที่มีฤทธิ์กัดกร่อนหรือนำไฟฟ้าอาจก่อให้เกิดการสัลดวงรได้ เช่น น้ำทะเล สารเคมีทางอุตสาหกรรมบางชนิด และผลิตภัณฑ์ฟอกสีหรือมีสารผสมการฟอกสี เป็นต้น

ชาร์จชุดแบตเตอรี่ System M18 ด้วยตัวชาร์จสำหรับ System M18 เท่านั้น อย่าใช้แบตเตอรี่จากระบบอื่น ๆ

ห้ามเปิดทำลายแบตเตอรี่และเครื่องชาร์จและเก็บไว้ในห้องที่แห้งเท่านั้น ดูแลรักษาให้ชุดแบตเตอรี่แห้งตลอดเวลา

ต้นและดิน

แรงติดกลับจะติดกลับไปยังทิศทางตรงกันข้ามกับการเคลื่อนที่ของใบเลื่อย ดังนั้น ผู้ใช้งานต้องเตรียมพร้อมในการควบคุมแนวไม้ของตมผลิตภัณฑ์ที่จะตั้งไปด้านหลังขณะใช้ขอบล่างของบาร์ใบเลื่อยตัดและที่จะดันไปด้านหลัง (ทางผู้ใช้งาน) ขณะใช้ขอบบนตัด



เลื่อยติดขัดระหว่างการตัด

หยุดการทำงานของผลิตภัณฑ์ และถอดชุดแบตเตอรี่ออกจากผลิตภัณฑ์ อายัพยายามดึงใบเลื่อยและบาร์ใบเลื่อยออก เนื่องจากอาจทำให้ใบเลื่อยเสียหายได้ ซึ่งอาจติดกลับใส่ผู้ใช้งานได้ สถานการณ์นี้มักเกิดขึ้นได้ปกติ เนื่องจากไม่มีการรองรับใบเลื่อยถูกต้องซึ่งบังคับให้รอยตัดปิดอยู่ภายใต้แรงบีบ จึงทำให้ยึดใบเลื่อยไว้ หากการปรับที่รองรับไม่ช่วยให้ปล่อยบาร์ใบเลื่อยและใบเลื่อยได้ ให้ใช้ไม้จิ้มหรือค้อนเพื่อเปิดรอยตัดออกและดึงใบเลื่อยออกมา ห้ามพยายามเปิดเครื่องผลิตภัณฑ์ขณะที่บาร์ใบเลื่อยอยู่ในรอยตัดหรือรอยตัด

การไกล่เกลี่ย

หากผลิตภัณฑ์ไม่สามารถจะลงไปได้ บาร์ใบเลื่อยอาจกระดกหรือไกลไปตามพื้นผิวของท่อนไม้หรือกิ่งไม้ที่ยังมีอันตรายน้อยได้ ซึ่งอาจทำให้สูญเสียการควบคุมผลิตภัณฑ์ได้ เพื่อป้องกันหรือลดการเคลื่อนไกลหรือกระดก ให้ใช้งานผลิตภัณฑ์โดยใช้สองมือจับยึดเพื่อให้แน่ใจว่าใบเลื่อยจะเจาะร่องสำหรับการตัดได้ ห้ามใช้ผลิตภัณฑ์นี้ตัดกิ่งไม้หรือพุ่มไม้ขนาดเล็กที่เป็นไม้อ่อน

ขนาดและความอ่อนตัวของไม้อาจทำให้เสียการควบคุมกลับมาหาคุณได้โดยง่ายหรืออาจเกิดการฟุ้งที่เป็นเหตุให้เกิดแรงติดกลับ ผลิตภัณฑ์ที่เหมาะสมที่สุดสำหรับงานประเภทนี้คือ เลื่อยมือ กรรไกรตัดกิ่ง ขวาน หรืออุปกรณ์ที่ใช้มืออื่น ๆ

อุปกรณ์ป้องกันส่วนบุคคล

ดูที่หน้า 14

สวมหมวกนิรภัย วัตถุประสงค์เพื่อป้องกันผลิตภัณฑ์ หมวกนิรภัยที่มีหน้ากากลดความเสี่ยงในการบาดเจ็บที่บริเวณใบหน้าและศีรษะจากการติดกลับได้ โปรดสวมอุปกรณ์ปกป้องการได้ยิน เสมอและหลีกเลี่ยงการฟังเสียงความถี่สูงในการได้ยิน

อุปกรณ์ป้องกันส่วนบุคคลที่มีคุณภาพซึ่งใช้ในระดับมืออาชีพจะช่วยลดความเสี่ยงในการบาดเจ็บกับผู้ใช้งานได้ ควรใช้อุปกรณ์ต่อไปนี้ เมื่อใช้งานผลิตภัณฑ์:

- หมวกแข็งนิรภัยจะต้องได้ตามมาตรฐาน EN 397 และได้รับรองเครื่องหมาย CE
- อุปกรณ์ป้องกันการได้ยินจะต้องได้ตามมาตรฐาน EN 352-1 และได้รับรองเครื่องหมาย CE
- อุปกรณ์ป้องกันดวงตาและใบหน้าที่จะต้องได้รับรองเครื่องหมาย CE และได้ตามมาตรฐาน EN 166 (สำหรับแว่นนิรภัย) หรือมาตรฐาน EN 1731 (สำหรับหน้ากากแบบโครงตาข่าย)
- ถุงมือจะต้องได้ตามมาตรฐาน EN381-7 และได้รับรองเครื่องหมาย CE
- อุปกรณ์ป้องกันขา (ผู้ขาย) จะต้องได้ตามมาตรฐาน EN 381-5 ได้รับรองเครื่องหมาย CE และให้การป้องกันแบบครอบขา
- รองเท้าบู๊ตป้องกันเฉื่อยจะต้องได้ตามมาตรฐาน EN ISO 20345:2004 และมีเครื่องหมายซึ่งเป็นเครื่องหมายป้องกันเฉื่อยเพื่อแสดงถึงการได้ตามมาตรฐาน EN 381-3 (ผู้ที่ใช้เป็นครั้งคราวสามารถใช้อุปกรณ์ที่รองเท้าบู๊ตที่มีสนับแข้งป้องกันซึ่งสอดคล้องตาม EN 381-9 หากเป็นพื้นราบและมีความเสี่ยงในการลื่นล้มหรือสะดุดพุ่มไม้เล็กน้อย)
- เสื้อคลุมสำหรับเฉื่อยนตส์สำหรับการป้องกันร่างกายส่วนบนจะต้องได้ตามมาตรฐาน EN 381-11 และได้รับรองเครื่องหมาย CE

อุปกรณ์นิรภัย

คำเตือน! ผลของการบำรุงรักษา การถอดเปลี่ยน หรือการตัดแปลงระบบนิรภัยต่างๆ ที่ไม่ถูกต้อง เช่น เบรกใบเลื่อย, สวิตช์จุดระเบิด, การตัดป้องกันมือ (ด้านหน้าและด้านหลัง), กันชน, ตัวจับใบเลื่อย, บาร์ใบเลื่อย, ใบเลื่อยอัตราการตัดกลับต่ำ อาจทำให้ระบบนิรภัยทำงานไม่ถูกต้อง ซึ่งอาจเพิ่มความเสี่ยงในการเกิดการบาดเจ็บร้ายแรงได้

ใบเลื่อยมีอัตราการติดกลับต่ำ

ใบเลื่อยอัตราการติดกลับต่ำช่วยลดโอกาสในการติดกลับ คุณค่าอื่น (แงความลึก) ด้านหน้าของใบเลื่อยสามารถลดแรงติดกลับได้โดยป้องกันไม่ให้ใบเลื่อยตัดลึกเกินไป ให้ใช้บาร์ใบเลื่อยและใบเลื่อยอะไหล่ที่ผู้ผลิตแนะนำเท่านั้น หากใบเลื่อยคม จะทำให้โอกาสในการติดกลับลดลง แต่ยังคงต้องใช้ความระมัดระวังเป็นพิเศษ เพื่อความปลอดภัยของคุณเอง ให้เปลี่ยนใบเลื่อยเมื่อประสิทธิภาพในการตัดลดลง

กันชน

โดยสามารถมีส่วนประกอบสำคัญอย่างกันชนเป็นแกนหลักในการตัดได้ ซึ่งช่วยให้สามารถรักษาความมั่นคงของตัวผลิตภัณฑ์ขณะตัดได้ ขณะนี้ตัดอยู่

ให้ต้นผลิตภัณฑ์ไปด้านหน้ากว่าเตี้ยแหลมจะเจาะลงไปให้ขอบไม้ จากนั้นให้ยกด้านจับด้านหลังขึ้นหรือลงในทิศทางที่ตัด ซึ่งจะช่วยให้ความเหนียวลำในการตัดลดลง

บาร์ใบเลื่อย

โดยทั่วไป บาร์ใบเลื่อยที่มีปลายขนาดเล็กจะมีโอกาสในการติดกลับที่ต่ำกว่า คุณควรใช้บาร์ใบเลื่อยและใบเลื่อยที่เข้ากันได้ซึ่งยาวเพียงพอสำหรับงานนั้นๆ บาร์ใบเลื่อยที่ยาวกว่าจะเพิ่มความเสี่ยงในการสูญเสียการควบคุมระหว่างตัดได้ ให้ตรวจสอบความถี่ของใบเลื่อยอยู่เสมอ เมื่อตัดไม้ขนาดเล็ก (สั้นกว่าความยาวของบาร์ใบเลื่อย) ใบเลื่อยอาจกระเด็นออกได้ หากมีระดับความถี่ไม่ถูกต้อง

คำแนะนำในสวนเทคนิคที่ถูกตัดทิ้งในการตัดกิ่งไม้ และการตัดแนวขวาง

การทำความเข้าใจในแรงภายในไม้

เมื่อคุณเข้าใจในแรงต้นและความถี่ภายในไม้แล้ว คุณสามารถลด "การยึด" ลงได้ หรืออย่างน้อยก็คาดหวังว่าจะช่วยลดลงได้ระหว่างการตัด ความถี่ในไม้หมายถึงเส้นใยไม้ที่กำลังจะถูกดึงออกจากกัน และหากคุณตัดในบริเวณนี้ "รอยตัด" หรือการตัดจะมีแนวโน้มที่จะเปิดออกเมื่อกดใบเลื่อยลงไป หากท่อนไม้ลงบนแท่นรอง แต่ไม่ได้ออกส่วนปลายเอาไว้ จะทำให้เกิดความถี่ที่พื้นผิวส่วนบน เนื่องจากน้ำหนักของท่อนไม้ที่ไม่ได้วางรองรับยึดเส้นใยไม้ไว้อยู่ในท่าของตัวเองกัน ด้านใต้ของท่อนไม้จะถูกบีบอัด และเส้นใยไม้จะดึงเข้าหากัน หากตกลงไปในบริเวณนี้ รอยตัดจะมีแนวโน้มที่จะปิดรอยตัดระหว่างการตัดได้ ซึ่งอาจยึดใบเลื่อยเอาไว้

การตัดเล็ม (ดูส่วนของภาพ)

คำเตือน! ถ้ากิ่งไม้ที่จะตัดเล็มออกอยู่เกินระยะเอื้อมถึงของผลิตภัณฑ์ ให้ใช้บริการจากบุคคลที่เป็นมืออาชีพเพื่อทำงานการตัดเล็มกิ่งไม้ การไม่ปฏิบัติตามนี้อาจทำให้ได้รับบาดเจ็บสาหัส

การตัดเล็มกิ่งไม้คือการตัดแต่งกิ่งออกจากต้นไม้ทั่วไป

- ให้ทำงานอย่างช้าๆ ใช้สองมือจับยึดตัวผลิตภัณฑ์ที่ด้านจับที่มั่นคง ตรวจสอบให้แน่ใจว่าฐานยืนของคุณมั่นคงและน้ำหนักของคุณกระจายเท่ากันบนไม้ทั้งสองข้าง
- อย่าตัดกิ่งไม้โดยยืนบนบันได การทำเช่นนี้เป็นอันตรายขั้นสูงสุด การทำงานลักษณะนี้ต้องทำโดยบุคคลที่เป็นผู้เชี่ยวชาญมืออาชีพ
- ในระหว่างการใช้งานผลิตภัณฑ์ มือขวาที่จับยึดตัวผลิตภัณฑ์จะต้องไม่อยู่สูงเกินระดับหน้าอกผู้ใช้ การจับยึดตัวผลิตภัณฑ์ในระดับที่สูงกว่านั้นจะเกิดความยุ่งยากในการควบคุมแรงติดกลับ ขณะทำงานตัดเล็มกิ่งไม้ สิ่งที่สำคัญคืออย่าตัดแต่งชิ้นสุดท้ายโดยต่อจากการตัดกิ่งหรือลำต้นหลักมากกว่าคุณจะต้องกิ่งอื่นๆ เพื่อลดน้ำหนักแล้วเสร็จสิ้นแล้ว ซึ่งช่วยป้องกันไม่ให้ลื่นไถลไปไกลจากส่วนกิ่งหลักได้
- การตัดแรกสุดควรตัดจะกิ่งไม้ลง 1/3 ส่วน
- การตัดครั้งที่สองจะต้องตัดให้พ้นจากกิ่งไม้เพื่อให้กิ่งหลุดออกจากต้น การตัดชิ้นสุดท้ายจะต้องให้กิ่งหรือลำต้นหลักดูเรียบและสะอาด ทั้งนี้เพื่อให้เปลือกไม้สามารถสร้างผิวใหม่สมานรอยตัดเดิมได้ในภายหลัง

ตะขอกีวยาดัง

ใช้ตะขอกีวยาดังเพื่อจับยึดกิ่งที่ตัดแต่งแล้ว จากนั้นดึงลงมาจากริมไม้ของต้นไม้

การตัดกิ่งไม้

การตัดกิ่งไม้ คือการตัดกิ่งไม้จากต้นไม้มัดลงมา ขณะตัดกิ่งไม้ ให้ปล่อยกิ่งไม้ด้านล่างขนาดใหญ่ไว้เพื่อค้ำยันท่อนไม้บนพื้น ตัดกิ่งไม้ขนาดเล็กในทีเดียว การตัดกิ่งไม้ที่มีความดังกลางขึ้นบนเพื่อป้องกันไม่ให้ผลิตภัณฑ์ถูกยึดกับกิ่งไม้

การตัดโดยใช้ตามแบบสปริง

ไม่ได้คือ ท่อนไม้ กิ่งไม้ ตอไม้ฝังราก หรือต้นอ่อนที่ถูกไม้ชั้นอื่นค้ำยันเอาไว้ ซึ่งอาจติดกลับได้หากมีการตัดหรือถอนไม้ที่ค้ำยันเอาไว้

ในต้นไม้ที่โคนลมนงา ตอไม้ฝังรากมีโอกาสูงที่จะติดกลับขึ้นมาระหว่างการตัดท่อนไม้เพื่อแยกท่อนไม้ออกจากราก ให้ระวังไม้ตัด เพราะเป็นสิ่งที่อันตราย

คำเตือน! ต่อมแบบสปริงอาจเป็นอันตรายและอาจกระแทกตัวผู้ใช้ งาน ทำให้ผู้ใช้สูญเสียการควบคุมผลิตภัณฑ์ได้ และอาจก่อให้เกิดอาการบาดเจ็บร้ายแรงและถึงขั้นเสียชีวิตได้ การตัดโดยใช้ตามแบบสปริงจะต้องกระทำโดยผู้ใช้ที่ผ่านการฝึกอบรมแล้ว

คำแนะนำด้านความปลอดภัยเพิ่มเติม

บางภูมิภาคมีข้อบังคับที่จำกัดการใช้งานผลิตภัณฑ์ฯ ให้ขอคำแนะนำจากหน่วยงานกฎหมาย

อย่าให้เด็กหรือคนที่ไม่คุ้นเคยกับคำแนะนำเหล่านี้ใช้เครื่อง ข้อบังคับภายในประเทศอาจจำกัดอายุของผู้คุมเครื่อง

ตรวจสอบให้แน่ใจก่อนการใช้งานทุกครั้งว่าอุปกรณ์ควบคุมและนิรภัยทำงานอย่างถูกต้อง ห้ามใช้ผลิตภัณฑ์ หากสวิตช์ "ปิด" ไม่สามารถปิดเครื่องไฟฟ้าได้

อย่าสวมเสื้อผ้าที่หลวม กางเกงขาสั้น หรือเครื่องประดับทุกชนิด

รวมผมที่ยาวไว้ให้อยู่เหนือหัวให้คลุมเพื่อป้องกันไม่ให้ผมเข้าไปติดฟันในชิ้นส่วนที่มีการเคลื่อนไหว

ระมัดระวังวัตถุที่ปลิว กระเด็น หรือล่องมา คอยดูบุคคลใกล้เคียง เด็ก และสัตว์อื่นๆ ในรัศมี 15 เมตร จากพื้นที่ทำงาน

อย่าใช้ผลิตภัณฑ์ภายใต้สภาวะที่มีแสงสว่างน้อย ผู้ใช้งานต้องสามารถมองเห็นพื้นที่ทำงานได้อย่างชัดเจนเพื่อระวังอันตรายที่อาจเกิดขึ้น

การใช้อุปกรณ์ป้องกันการได้ยินจะลดความสามารถในการได้ยินคำเตือน (เสียงตะโกนหรือสัญญาณเตือน) ผู้ใช้งานต้องให้ความระมัดระวังเป็นพิเศษกับสิ่งที่เกิดขึ้นในพื้นที่ทำงาน

การใช้งานผลิตภัณฑ์ที่คล้ายกันใกล้เคียงเป็นการเพิ่มความเสี่ยงในการเกิดการบาดเจ็บทางการได้ยินและอาจทำใหบุคคลอื่นเข้ามาในพื้นที่ทำงานของคุณได้

ยื่นให้มันคงและสมดุล อย่าเอี้ยว

การเอี้ยวไกลเกินไปอาจทำให้สูญเสียการทรงตัวและอาจเพิ่มความเสี่ยงในการติดถลไถ

รักษาระยะของร่างกายให้ห่างจากชิ้นส่วนที่เคลื่อนไหวอยู่

ตรวจสอบผลิตภัณฑ์ก่อนใช้งาน ตรวจสอบว่าระบบควบคุมทั้งหมดทำงานถูกต้องหรือไม่ รวมถึงเบรกในเสียดด้วยเช่นกัน ตรวจสอบว่าตัวยึดหลวมหรือไม่

ตรวจสอบให้แน่ใจว่าได้ติดตั้งอุปกรณ์ป้องกันและที่จับทั้งหมดไว้อย่างถูกต้องและแน่นหนา เปลี่ยนชิ้นส่วนที่เสียหายก่อนการใช้งาน

ห้ามดัดแปลงผลิตภัณฑ์ที่เด็ดขาดหรือใช้ชิ้นส่วนหรืออุปกรณ์เสริมที่ผู้ผลิตไม่ได้แนะนำ

คำเตือน! หากทำผลิตภัณฑ์หล่น เกิดการกระทบกระเทือนอย่างรุนแรง หรือเริ่มสังเกตเห็นผิดปกติ โปรดหยุดใช้งานทันทีและตรวจสอบความเสียหายหรือตรวจหาสาเหตุของการสั่นสะเทือนดังกล่าว **ควรดำเนินการซ่อมแซมหรือเปลี่ยนชิ้นส่วนอย่างถูกต้องโดยสถานบริการ MILWAUKEE**

ห้ามหิ้วแบตเตอรี่ที่ใช้แล้วกับขั้วเครื่องหรือโดยการเนาทำลาย ตัวแทนจำหน่ายของ Milwaukee ยินดีรับชุดแบตเตอรี่เก่าเพื่อช่วยปกป้องสิ่งแวดล้อมของเรา ไม่เก็บชุดแบตเตอรี่ไว้รวมกับวัตถุอื่นที่เป็นโลหะ (เสี่ยงต่อการลัดวงจร)

ชาร์จชุดแบตเตอรี่ System M18 ด้วยตัวชาร์จสำหรับ System M18 เท่านั้น อย่าใช้แบตเตอรี่จากระบบอื่น ๆ กรดแบตเตอรี่อาจรั่วซึมจากแบตเตอรี่ที่เสียหายภายใต้อุณหภูมิสูงหรือการใช้งานที่หนักมากเกินไป หากสัมผัสกับกรดแบตเตอรี่ ให้ล้างออกทันทีด้วยน้ำสบู่ หากกรดแบตเตอรี่เข้าตา ล้างตาให้ทั่วด้วยน้ำอย่างน้อย 10 นาทีและไปพบแพทย์ทันที

คำเตือนเพิ่มเติมเกี่ยวกับความปลอดภัยของแบตเตอรี่

คำเตือน! วัสดุความเสี่ยงในการเกิดไฟไหม้ การบาดเจ็บส่วนบุคคล และความเสียหายต่อผลิตภัณฑ์ จากการลัดวงจร อย่างจุ่มเครื่องมือ ก้อนแบตเตอรี่ หรือเครื่องชาร์จไฟลงในของเหลวหรือปล่อยให้ของเหลวซึมเข้าสู่ภายใน ของเหลวที่มีฤทธิ์กัดกร่อนหรือน้ำไฟฟ้าอาจก่อให้เกิดการลัดวงจรได้ เช่น น้ำทะเล สารเคมีทางอุตสาหกรรมบางชนิด และผลิตภัณฑ์ฟอสซิลหรือมีส่วนผสมการฟอสซิล เป็นต้น

การลดความเสี่ยง

มีรายงานว่าแรงสั่นจากเครื่องมือที่ใช้มีอยู่เป็นประจำทำให้เกิดสภาวะที่เรียกว่า Raynaud's Syndrome ได้ในบางคน อาการที่เกิดขึ้นได้แก่ นิ้วรู้สึกปวดเสียว ชา และชืดขาว โดยทั่วไปจะมีอาการเมื่อเจอกับความหนาวเย็น ปัจจัยทางกรรมพันธุ์ การสัมผัสกับความหนาวเย็นและความชื้น, อาหาร, การสูบบุหรี่ และการทำงาน ล้วนเชื่อว่าทำให้เกิดการพัฒนาของอาการเหล่านี้ มี

หลายมาตรการที่ผู้ปฏิบัติงานสามารถปฏิบัติตามเพื่อลดผลกระทบของการสั่นได้:

- ทำร่างกายให้อบอุ่นเมื่ออากาศหนาวเย็น สวมถุงมือขณะปฏิบัติงานเพื่อให้มือและข้อมืออบอุ่น
- หลังจากปฏิบัติงานเสร็จในแต่ละช่วง ให้สูดอากาศสดชื่นเพื่อให้เลือดหมุนเวียนได้มากขึ้น
- หยุดพักบ่อยๆ จำกัดปริมาณที่สัมผัสต่อวัน
- ถุงมือป้องกันที่ขายในร้านค้าขายเสื้อผ้ากีฬาระดับมืออาชีพได้รับการออกแบบมาเฉพาะสำหรับการใช้เลือกไฟฟ้าซึ่งมีการป้องกันที่ดี จับได้มั่นคง และยังช่วยลดผลกระทบจากการสั่นสะเทือนจากด้ามจับ ถุงมือนี้ควรเป็นไปตาม EN 381-7 และมีเครื่องหมาย CE

หากคุณมีอาการใดๆ ตามเงื่อนไขนี้ ให้หยุดใช้ทันทีและรีบไปพบแพทย์

คำเตือน! อาการบาดเจ็บอาจมีสาเหตุหรือรุนแรงมากขึ้นจากการใช้ผลิตภัณฑ์มาเป็นเวลานาน เมื่อใช้ผลิตภัณฑ์เป็นระยะเวลาใดๆ ต้องแน่ใจว่าคุณได้หยุดพักอย่างสม่ำเสมอ

การขนย้ายและการจัดเก็บ

หยุดใช้งานผลิตภัณฑ์ นำแบตเตอรี่ออก และปล่อยให้เย็นก่อนจัดเก็บหรือขนย้าย

ทำความสะอาดวัตถุแปลกปลอมทั้งหมดออกจากผลิตภัณฑ์ จัดเก็บไว้ในที่แห้งและเย็น และสามารถระบายอากาศได้ดี ซึ่งเด็กฯ ไม่สามารถเข้าถึงได้ เก็บไว้ในที่ห่างจากสารที่มีฤทธิ์กัดกร่อน เช่น สารเคมีทำสวนและ เกสโซ่ ละลายน้ำแข็ง อย่าจัดเก็บไว้กลางแจ้ง

หากต้องการขนย้ายโดยยานพาหนะ ให้ยึดผลิตภัณฑ์ไว้โดยอย่าให้สามารถขยับหรือตกลงได้ เพื่อป้องกันไม่ให้มีผู้ได้รับบาดเจ็บหรือผลิตภัณฑ์เสียหาย

การเคลื่อนย้ายแบตเตอรี่ลิเทียม

แบตเตอรี่ลิเทียม ไอออนอยู่ภายใต้ข้อกำหนดตามกฎหมายของสินค้าอันตราย

การขนส่งแบตเตอรี่เหล่านี้ต้องกระทำตามกฎระเบียบและข้อบังคับของท้องถิ่น ของประเทศ และระหว่างประเทศ

- ผู้ใช้สามารถขนส่งแบตเตอรี่ทางถนนได้โดยไม่มีข้อกำหนดใดๆ เพิ่มเติม
- การขนส่งแบตเตอรี่ลิเทียม ไอออนเชิงพาณิชย์โดยนิติบุคคลอื่นต้องดำเนินการภายใต้กฎระเบียบว่าด้วยสินค้าที่มีอันตราย การเตรียมการขนส่งและการขนส่งต้องดำเนินการโดยบุคลากรที่ผ่านการฝึกอบรมมาแล้วเท่านั้น และในระหว่างดำเนินการต้องมีผู้เชี่ยวชาญที่เกี่ยวข้องคอยกำกับดูแล

เมื่อขนย้ายแบตเตอรี่:

- ตรวจสอบให้แน่ใจว่าขั้วต่อแบตเตอรี่ได้รับการปกป้องและหุ้มฉนวนเพื่อป้องกันไฟฟ้าลัดวงจร
- โปรดตรวจสอบให้แน่ใจว่าแบตเตอรี่ได้รับการบรรจุห่ออย่างมั่นคงเพื่อป้องกันการขยับเขยื้อน
- ห้ามเคลื่อนย้ายแบตเตอรี่ที่แตกหรือรั่ว

ตรวจสอบกับบริษัทจัดส่งเพื่อขอคำแนะนำเพิ่มเติม

ความเสี่ยงที่เหลื่ออยู่

ถึงแม้เครื่องมือจะได้รับการใช้ตามที่กำหนด แต่ก็ไม่สามารถกำจัดปัจจัยความเสี่ยงที่หลงเหลืออยู่ได้ อัตราตายต่อไปอาจเกิดขึ้นในการใช้งานและผู้ดำเนินการควรให้ความสนใจเป็นพิเศษเพื่อหลีกเลี่ยงกรณีต่อไปนี้

- การบาดเจ็บที่เกิดจากการสัมผัสใบเลื่อย การสัมผัสใบเลื่อยอาจทำให้บาดเจ็บสาหัสได้ ระวังไม่ให้ใบเลื่อยอยู่ห่างจากตัวคุณและผู้อื่นเสมอ ครอบใบเลื่อยด้วยอุปกรณ์ป้องกันเมื่อคุณไม่ได้ใช้ตัด
- การบาดเจ็บที่เกิดจากแรงสั่นสะเทือน จับบริเวณที่จับเฉพาะของผลิตภัณฑ์และอย่าใช้งานติดต่อกันเป็นเวลานาน
- เสียงดังเกินไปอาจทำให้สูญเสียความสามารถในการได้ยิน สวมอุปกรณ์ป้องกันการได้ยินและจำกัดระยะเวลาการได้ยิน
- การบาดเจ็บเนื่องจากเศษวัสดุที่กระเด็น สวมใส่อุปกรณ์ป้องกันดวงตากางเกงขากว้างที่มีความหนา ถุงมือและรองเท้ายางที่แข็งแรงทนทานตลอด

สภาพการใช้งานที่กำหนด

ผลิตภัณฑ์นี้มีวัตถุประสงค์สำหรับการใช้งานนอกตัวอาคารเท่านั้น

ผลิตภัณฑ์นี้ไม่เหมาะสำหรับการตัดโค่นต้นไม้

เพื่อความปลอดภัย ต้องควบคุมเลื่อยไฟฟ้าอย่างเหมาะสมโดยใช้มือทั้งสองข้างตลอดการใช้งาน

ผลิตภัณฑ์นี้ได้รับการออกแบบสำหรับการตัดกิ่งไม้ ลำต้น หน่อไม้ และคานไม้ ตามเส้นผ่าศูนย์กลางที่กำหนดโดยความยาวการตัดของบาร์โซ่ เลื่อยไฟฟ้าได้รับการออกแบบมาเพื่อตัดไม้เท่านั้น ซึ่งต้องให้ผู้ใหญ่ที่ได้รับการฝึกอบรม ในส่วนภัยอันตรายและมาตรการป้องกัน/การดำเนินการระหว่างใช้งาน ผลิตภัณฑ์อย่างเพียงพอเป็นผู้ใช้งาน

ห้ามใช้ผลิตภัณฑ์เพื่อจุดประสงค์อื่นนอกเหนือจากจุดประสงค์การใช้งานที่ระบุเฉพาะไว้ ซึ่งไม่มีการนำไปใช้ในบริการตัดต้นไม้ระดับมืออาชีพ เด็ก หรือบุคคลที่ไม่สวมอุปกรณ์และชุดป้องกันส่วนบุคคลที่เพียงพอห้ามใช้ผลิตภัณฑ์นี้

คำเตือน! คุณต้องปฏิบัติตามกฎความปลอดภัยเมื่อใช้ผลิตภัณฑ์เพื่อความปลอดภัยของคุณและผู้คนรอบข้าง คุณต้องอ่านและทำความเข้าใจคำแนะนำต่อไปนี้ก่อนใช้ผลิตภัณฑ์ คุณควรเข้ารับการอบรมเรื่องความปลอดภัยที่จัดขึ้นในระดับมืออาชีพ เพื่อเรียนรู้การใช้ การป้องกัน การปฐมพยาบาล และการบำรุงรักษาเลื่อยไฟฟ้า โปรดเก็บคำแนะนำฉบับนี้ไว้เพื่อใช้ในภายหลัง

คำเตือน! เลื่อยไฟฟ้าเป็นผลิตภัณฑ์ที่อาจเป็นอันตราย อุบัติเหตุที่เกิดจากเลื่อยไฟฟ้ามักทำให้พิการหรือเสียชีวิต ไม่เพียงแต่เลื่อยไฟฟ้าเองเท่านั้นที่เป็นอันตราย กังไม้ร่วงหล่น ต้นไม้หักโค่น และท่อนซุงที่ลื่นก็อาจก่อให้เกิดอุบัติเหตุถึงแก่ชีวิตได้ ต้นไม้ที่หยาบหรือเป็นโรคอาจเป็นอันตรายได้เช่นกัน คุณควรประเมินความสามารถของคุณในการทำงานให้เสร็จสิ้นอย่างปลอดภัย หากมีสิ่งใดทำให้ไม่มั่นใจ โปรดให้นักตัดแต่งต้นไม้มืออาชีพเป็นผู้จัดการ

ห้ามใช้ผลิตภัณฑ์นี้นอกเหนือไปจากการใช้งานแบบปกติ

แบตเตอรี่

ควรชาร์จไฟให้ก้อนใช้งานหากไม่ได้ใช้ชุดแบตเตอรี่เป็นเวลานาน ประสิทธิภาพของชุดแบตเตอรี่จะลดลงหากอุณหภูมิสูงกว่า 50°C (122°F) หลีกเลี่ยงไม่ให้ถูกแสงแดดหรือความร้อนเป็นเวลานาน (เสี่ยงต่อความร้อนเกิน)

ต้องหมั่นดูแลความสะอาดหน้าสัมผัสตัวชาร์จกับชุดแบตเตอรี่ เพื่ออายุการใช้งาน ควรชาร์จแบตเตอรี่ให้เต็มหลังการใช้งาน เพื่อรักษาอายุแบตเตอรี่ให้มากที่สุด ให้ถอดชุดแบตเตอรี่ออกจากตัวชาร์จเมื่อชาร์จไฟเต็ม

- สำหรับชุดแบตเตอรี่ที่ต้องเก็บไว้นานกว่า 30 วัน: เก็บชุดแบตเตอรี่ไว้ที่อุณหภูมิต่ำกว่า 27°C และหลีกเลี่ยงความชื้น
- เก็บชุดแบตเตอรี่ไว้ที่ประจุ 30% - 50%
- ให้ชาร์จแบตเตอรี่ตามปกติทุกหกเดือนที่เก็บ

การบำรุงรักษา

การหยอดน้ำมันหล่อลื่นสายโซ่ (ดูส่วนของภาพ)

คำเตือน! ห้ามใช้งานเลื่อยโดยไม่หยอดน้ำมันหล่อลื่นสายโซ่โดนเด็ดขาด การใช้งานโดยไม่มีสารหล่อลื่นอาจทำให้ใบเลื่อยและตัวเลื่อยไฟฟ้าเสียหายได้ การตรวจสอบระดับน้ำมันก่อนที่จะเริ่มใช้ผลิตภัณฑ์และตรวจสอบระดับที่มาตรฐานระดับน้ำมันอย่างสม่ำเสมอเป็นประจำเป็นสิ่งจำเป็น

ให้รักษาระดับน้ำมันไว้มากกว่า 1/4 ของถังอยู่เสมอเพื่อให้แน่ใจว่ามีน้ำมันเพียงพอใช้งาน

หมายเหตุ: ขอแนะนำให้ใช้น้ำมันหล่อลื่นที่มีส่วนผสมหลักจากพืชเมื่อต้องทำงานตัดแต่งกิ่ง เนื่องจากน้ำมันแร่อาจเป็นอันตรายต่อต้นไม้ ห้ามใช้น้ำมันของเสีย (waste oil) น้ำมันหล่อลื่นรถยนต์ หรือน้ำมันมีความหนืดสูงเป็นอันตราย เนื่องจากอาจทำให้เลื่อยไฟฟ้าเสียหายได้ เช็ดล้างพื้นผิวรอบๆ ผ่าถ้ำน้ำมันเพื่อป้องกันการปนเปื้อน

การปรับความตึงของสายโซ่ที่พันเลื่อย (ดูส่วนของภาพ)

คำเตือน! เลื่อยไฟฟ้าเป็นสิ่งมีคม ต้องสวมถุงมือป้องกันเสมอเมื่อดำเนินการซ่อมบำรุงสายโซ่

ความตึงของสายโซ่จะถูกดึงเมื่อพันเลื่อยบนโซ่และใบเลื่อยมีระยะห่างกันประมาณประมาณ 3 มม. ดึงสายโซ่ตรงกลางด้านล่างของใบเลื่อยลง (ดึงให้ห่างออกจากใบเลื่อย) และวัดระยะห่างระหว่างใบเลื่อยกับพันเลื่อยบนสายโซ่ชั้นหวนสกรูยึดใบเลื่อยให้แน่นโดยหมุนหวนเข็มนาฬิกา

หมายเหตุ: อย่าปรับโซ่เลื่อยให้มีแรงตึงมากเกินไป โซ่เลื่อยที่มีแรงตึงมากเกินไปอาจทำให้เกิดการสึกหรอมากเกินไป ลดอายุการใช้งานของโซ่เลื่อยตลอดจนอาจก่อให้เกิดความเสียหายแก่บาร์โซ่ได้ สายโซ่เส้นใหม่อาจยืดและคลายตัวได้ระหว่างการใช้ครั้งแรก ให้ถอดก่อนแบตเตอรี่ออกและหมั่นตรวจสอบความตึงของโซ่ในช่วงสองชั่วโมงแรกที่ใช้ งาน อุณหภูมิของโซ่จะเพิ่มขึ้นในระหว่างการใช้งานตามปกติ ทำให้โซ่ยืด โปรดตรวจสอบความตึงของสายโซ่อยู่เสมอและปฏิบัติตามคำแนะนำ การขันสายโซ่ให้ตึงในขณะที่ยังร้อนอยู่อาจทำให้สายโซ่แน่นเกินไปเมื่อเย็นตัวลง โปรดตรวจสอบให้แน่ใจว่าได้ปรับความตึงของสายโซ่อย่างถูกต้องตามที่ระบุไว้ในคำแนะนำฉบับนี้

โซ่เลื่อยและบาร์โซ่

หลังจากใช้งานทุกสองสามชั่วโมง ให้ถอดฝาครอบตัวขับ บาร์โซ่ และโซ่เลื่อยออก แล้วทำความสะอาดอย่างทั่วถึงโดยใช้แปรงขนแข็งที่อ่อนนุ่ม ตรวจสอบว่ารูเติมน้ำมันบนบาร์โซ่จะต้องไม่มีเศษวัสดุติดค้าง เมื่อเปลี่ยนอะไหล่โซ่เลื่อยแทนโซ่เลื่อยที่หัก หลักปฏิบัติที่ดีที่สุดให้พลิกโซ่เลื่อยจากล่างขึ้นบน

กำหนดการการบำรุงรักษา

การหล่อลื่นใบเลื่อย	ก่อนใช้ทุกครั้ง
ความตึงของสายโซ่	ก่อนใช้ทุกครั้งและบ่อยๆ ระหว่างใช้
ความคมของสายโซ่	ก่อนใช้ทุกครั้ง ประเมินด้วยสายตา
หาส่วนที่เสียหาย	ก่อนใช้ทุกครั้ง ประเมินด้วยสายตา
หาตัวยึดที่หลวม	ก่อนใช้ทุกครั้ง ตรวจสอบและทำความสะอาด
บาร์ใบเลื่อย	หลังใช้งานทุกครั้ง ให้ตรวจสอบและทำความสะอาด
ผลิตภัณฑ์ทั้งหมด	ตรวจสอบหลังจากใช้งานทุก 5 ชั่วโมง

อุปกรณ์เสริม

ใช้อุปกรณ์เสริมและชิ้นส่วนของ Milwaukee เท่านั้น หากจำเป็น ต้องเปลี่ยนชิ้นส่วนที่ไม่ได้ระบุไว้ข้างต้น โปรดติดต่อพนักงานบริการของ MILWAUKEE (โปรดดูรายชื่อร้านรับประกัน/บริการของเรา) ท่านสามารถส่งภาพกระจายชิ้นส่วนประกอบของผลิตภัณฑ์ได้ หากต้องการโปรดระบุชนิดของเครื่องจักรและหมายเลขผลิตภัณฑ์ ตามที่พิมพ์ไว้บนฉลาก และส่งชื่อแผนภาพจากตัวแทนจำหน่ายในพื้นที่ของคุณ

เครื่องหมาย



ระวัง! คำเตือน! อันตราย!



โปรดอ่านคำแนะนำอย่างละเอียดก่อนเริ่มใช้งานผลิตภัณฑ์



ถอดชุดแบตเตอรี่ออกก่อนเริ่มกระทำการใด ๆ กับผลิตภัณฑ์



สวมถุงมือ



สวมชุดและรองเท้าป้องกันเสมอ



สวมหมวกนิรภัย
อย่าลืมใส่อุปกรณ์ป้องกันหู!
ใช้แว่นตานิรภัย



ให้ใช้อุปกรณ์นี้ด้วยสองมือเสมอ



สวมใส่อุปกรณ์ป้องกันร่างกายส่วนบน



สวมใส่อุปกรณ์ป้องกันขา



ดูแลอย่าให้มีบุคคลอื่นอยู่ใกล้เคียงอย่างน้อย 15 ม. ในระหว่างการใช้งานผลิตภัณฑ์



ใช้งานผลิตภัณฑ์โดยให้อยู่ห่างจากสายส่งไฟฟ้าอย่างน้อย 15 ม.



หลีกเลี่ยงสัมผัสกับส่วนปลายของใบเลื่อย



อันตราย! พึงระวังการตีกลับของผลิตภัณฑ์



อ่างน้ำมันของโซเลื่อย



ทิศทางของโซเลื่อย



การปรับความตึงของโซเลื่อย



อย่าใช้ในขณะที่มีฝนตกหรือวางไว้ในที่ร่มในขณะที่มีฝนตก



ระดับความดังของเสียงที่รับประกันบนฉลากนี้อยู่ที่ 97 dB(A)



อย่าทิ้งเครื่องมือไฟฟ้าและก้อนแบตเตอรี่ร่วมกับขยะในครัวเรือน ต้องทิ้งเครื่องมือไฟฟ้าและแบตเตอรี่ที่หมดอายุการใช้งานแยกต่างหากและนำไปยังสถานที่รีไซเคิลที่เป็นมิตรกับสิ่งแวดล้อม ตรวจสอบกับผู้มีอำนาจในท้องถิ่นของคุณหรือร้านค้าปลีกสำหรับคำแนะนำในการรีไซเคิลและจัดเก็บรวบรวม

n_0

อัตราความเร็วสูงหยาบภายใต้สภาวะที่ไม่มีโหลด

V

โวลต์



กระแสตรง

DATA TEKNIS**M18 FOPH-CSA**

Kecepatan tanpa beban (kecepatan rendah)	0–3700 min ⁻¹
Kecepatan tanpa beban (kecepatan tinggi)	0–4600 min ⁻¹
Kecepatan rantai tanpa beban	8.6 m/s
Panjang bar	254 mm
Panjang pemotongan yang dapat digunakan	230 mm
Kapasitas tangki oli rantai	140 ml
Bobot sesuai dengan Prosedur EPTA 01/2014	1,94 kg

Informasi derau/vibrasi

Level derau A terbobot ditentukan berdasarkan EN ISO 22868 / EN ISO 4871

Tingkat tekanan suara (K Ketidakpastian=3dB(A))	85 dB(A)
Tingkat daya suara (K Ketidakpastian=3dB(A))	95 dB(A)

Pakailah pelindung telinga!

Total nilai vibrasi (jumlah vektor di ketiga aksis) ditentukan sesuai EN 22867.

Getaran (a_h)	1.54 m/s ²
K Ketidakpastian	0,65 m/s ²

Untuk data teknis dan daftar sumber daya (powerbase) yang bisa digunakan untuk kepala (head) perangkat tertentu, lihat instruksi pengoperasian head perangkat tersebut.

PERINGATAN!

Tingkat emisi getaran yang diberikan dalam lembar informasi ini telah diukur sesuai dengan uji terstandar yang diberikan dalam n EN ISO 22867 dan dapat digunakan untuk membandingkan satu produk dengan yang lainnya. Dapat digunakan untuk penilaian pendahuluan terhadap paparan.

Tingkat emisi getaran yang dinyatakan mewakili penggunaan utama produk ini. Namun, jika produk digunakan untuk penggunaan yang berbeda, dengan aksesoris yang berbeda, atau pemeliharaan yang kurang memadai, maka emisi getaran mungkin akan berbeda. Hal ini dapat meningkatkan tingkat paparan secara signifikan selama periode kerja total.

Perkiraan tingkat paparan terhadap getaran juga harus memperhitungkan saat-saat ketika alat dimatikan atau ketika produk sedang dinyalakan tetapi tidak benar-benar melakukan pekerjaan. Hal ini dapat menurunkan tingkat paparan secara signifikan selama periode kerja total. Tentukan langkah-langkah keselamatan tambahan untuk melindungi operator dari efek getaran seperti: memelihara produk dan aksesoris, menjaga agar tangan tetap hangat, dan mengelola pola kerja.

Tentukan langkah-langkah keselamatan tambahan untuk melindungi operator dari efek getaran seperti: memelihara produk dan aksesoris, menjaga agar tangan tetap hangat, dan mengelola pola kerja.

⚠ PERINGATAN! Baca semua peringatan keselamatan, petunjuk, ilustrasi, dan spesifikasi yang disertakan bersama produk. Tidak dipatuhinya semua petunjuk di bawah ini, dapat berakibat sengatan listrik, kebakaran, dan/atau cedera parah.

Simpan semua peringatan dan petunjuk sebagai referensi sewaktu-waktu.

⚠ PERINGATAN KESELAMATAN GERGAJI BERGAGANG PANJANG (POLE SAW) NIRKABEL

Jauhkan semua bagian tubuh dari produk ketika menggunakan produk ini. Sebelum Anda menyalakan produk, pastikan produk tidak menyentuh apa pun. Lengah walau sesaat ketika mengoperasikan produk dapat menyebabkan pakaian atau tubuh Anda terbelit produk.

Selalu pegang produk dengan tangan kanan pada gagang belakang dan tangan kiri pada gagang depan.

Memegang produk dengan konfigurasi tangan sebaliknya meningkatkan risiko cedera pribadi dan tidak boleh dilakukan.

Pegang produk hanya pada permukaan yang berinsulasi karena produk dapat menyentuh kabel tersembunyi. Rantai gergaji yang menyentuh kabel yang 'teraliri' dapat membuat bagian logam gergaji yang terekspos menjadi 'teraliri' dan menyebabkan operator tersengat listrik.

Gunakan pelindung mata. Peralatan perlindungan pelengkap untuk pendengaran, kepala, tangan, betis, dan kaki dianjurkan. Alat pelindung yang memadai akan mengurangi cedera pribadi dari puing-puing yang beterbangan atau kontak yang tidak disengaja dengan rantai gergaji.

Jangan menggunakan produk saat berdiri pada sebuah pohon, tangga, atap, atau pijakan yang tidak stabil. Pengoperasian produk dengan cara ini dapat mengakibatkan cedera pribadi yang serius.

Selalu gunakan pijakan yang layak dan operasikan produk hanya ketika berdiri di permukaan yang tak bergerak, aman, dan rata. Permukaan yang licin atau tidak stabil dapat menyebabkan hilangnya keseimbangan atau kendali atas produk.

Saat memotong dahan yang sedang ditarik, waspadai gaya balik. Ketika tegangan dalam serat kayu dilepaskan, dahan yang memuat gaya balik dapat menyerang operator dan/atau membuat produk terlepas dari kendali.

Lebih berhati-hatilah saat memotong semak dan anakan pohon. Bahan yang lembut dapat menangkap rantai gergaji dan menyentak ke arah Anda atau menarik Anda hingga kehilangan keseimbangan.

Angkat produk dengan memegang gagang depan, dalam kondisi produk dimatikan dan menjauh dari tubuh Anda. Saat mengangkat atau menyimpan produk, selalu pasang penutup bar pemandu. Penanganan yang tepat akan mengurangi kemungkinan kontak yang tidak disengaja dengan rantai gergaji yang bergerak.

Ikuti instruksi pelumasan, peregangan rantai, dan penggantian bar dan rantai. Rantai yang tidak dikencangkan atau dilumasi dengan baik dapat merusak atau meningkatkan peluang terjadinya sentakan.

Jaga gagang tetap bersih, kering, dan bebas dari minyak atau lemak. Gagang yang berminyak, berlemak licin, menyebabkan hilangnya kendali.

Hanya untuk memotong kayu. Jangan gunakan produk untuk tujuan yang tidak dimaksudkan untuk produk ini. Misalnya, jangan menggunakan produk untuk memotong logam, plastik, batu, atau bahan bangunan buksn kayu. Penggunaan produk untuk pengoperasian selain dari yang dimaksudkan dapat menyebabkan situasi yang berbahaya.

Jangan mencoba untuk menggunakan produk untuk menebang pohon. Cedera serius dapat terjadi pada operator atau pengamat saat menebang pohon.

Ikuti semua instruksi saat membersihkan material yang tersangkut, menyimpan, atau menyervis produk. Pastikan sakelar dimatikan dan baterai dilepaskan. Pergerakan produk yang tidak terduga saat membersihkan material yang tersangkut atau saat menyervis dapat mengakibatkan cedera pribadi yang serius.

Penyebab dan pencegahan operator dari sentakan

- Sentakan dapat terjadi ketika hidung atau ujung bar pemandu menyentuh objek, atau ketika kayu menutup dan menjepit rantai gergaji dalam potongan.
- Kontak tip dalam beberapa kasus dapat menyebabkan reaksi balik mendadak, menyentak bar pemandu ke atas dan kembali ke arah operator.
- Menjepit rantai gergaji di sepanjang bagian atas bar pemandu dapat mendorong bar pemandu dengan cepat kembali ke arah operator.

Salah satu dari reaksi-reaksi ini dapat menyebabkan Anda kehilangan kendali atas gergaji yang dapat mengakibatkan cedera pribadi yang parah. Jangan hanya mengandalkan perangkat keamanan yang terpasang dalam gergaji Anda.

Sebagai pengguna produk, Anda harus melakukan langkah-langkah untuk menjaga pekerjaan pemotongan Anda bebas dari kecelakaan atau cedera.

Sentakan adalah akibat penyalahgunaan produk dan/atau prosedur atau kondisi operasi yang salah dan dapat dihindari dengan melakukan tindakan pencegahan sebagaimana disebutkan di bawah ini:

- **Pertahankan genggaman yang kuat, dengan jempol dan jari melingkari gagang produk, dengan kedua tangan pada produk, dan posisikan tubuh dan lengan Anda yang memungkinkan Anda menahan gaya sentakan.** Daya sentakan dapat dikendalikan oleh operator, jika tindakan pencegahan yang sesuai dilakukan.

Jangan melepaskan produk.

- **Jangan menjangkau terlalu tinggi, dan jangan memotong di atas ketinggian bahu.** Cara ini membantu mencegah kontak pucuk (tip contact) yang tidak diinginkan dan memungkinkan kendali yang lebih baik atas produk dalam situasi yang tidak terduga.
- **Hanya gunakan bar dan rantai pengganti sebagaimana ditentukan oleh produsen.** Penggantian bar pemandu dan rantai yang salah dapat menyebabkan kerusakan rantai dan/atau sentakan.
- **Ikuti petunjuk pengasahan dan pemeliharaan rantai gergaji dari produsen.** Mengurangi tinggi pengukur kedalaman dapat menyebabkan meningkatnya sentakan.

Peraturan nasional mungkin membatasi penggunaan produk ini. Perhatikan peraturan setempat.

PETUNJUK KESELAMATAN TAMBAHAN

Dianjurkan untuk memotong kayu gelondongan pada kuda-kuda atau dudukkan saat mengoperasikan produk untuk pertama kalinya.

Pastikan semua pelindung, gagang, dan bumper bergerigi terpasang dengan benar dan dalam kondisi baik.

Orang yang menggunakan produk harus dalam kondisi kesehatan yang optimal. Produk ini berat, sehingga operator harus sehat secara fisik.

Operator harus waspada, memiliki penglihatan, mobilitas, keseimbangan, dan ketangkasan manual yang baik. Jika ada keraguan, jangan mengoperasikan produk.

Jangan mulai menggunakan produk hingga Anda memiliki area kerja yang bersih, pijakan yang aman, dan rencana jalur mundur menjauh dari pohon yang tumbang. Waspadaai semburan kabut pelumas dan serbuk gergaji. Gunakan masker atau respirator, jika diperlukan.

Jangan memotong tanaman merambat dan/atau tumbuhan kecil (diameter kurang dari 75 mm).

Selalu pegang produk dengan kedua tangan selama pengoperasian. Gunakan cengkraman yang kuat, dengan jempol dan jari-jari melingkari gagang produk. Tangan kanan harus berada pada gagang belakang dan tangan kiri pada gagang depan.

Sebelum menyalakan produk, pastikan produk tidak menyentuh benda apa pun.

Jangan memodifikasi produk dengan cara apa pun atau menggunakannya untuk memberi daya pada alat tambahan atau produk yang tidak direkomendasikan oleh produsen untuk produk Anda.

Harus ada kotak P3K yang berisi balutan luka besar dan sarana untuk menarik perhatian (misalnya, peluit) di dekat operator. Kotak P3K yang lebih besar dan lebih lengkap harus berada cukup dekat.

Rantai yang tidak dikencangkan dengan baik dapat melompat keluar bar pemandu dan dapat menyebabkan cedera serius atau kematian. Panjang rantai dipengaruhi suhu. Periksa ketegangannya berkali-kali.

Anda harus terbiasa dengan produk baru Anda dengan membuat potongan-potongan sederhana pada kayu yang ditunjang dengan aman. Lakukan latihan ini setiap kali Anda tidak mengoperasikan gergaji untuk beberapa waktu. Untuk mengurangi risiko cedera yang terkait dengan pengaktifan bagian gergaji bergerak, selalu hentikan mesin, pasang rem rantai, keluarkan baterai, dan pastikan semua bagian yang bergerak telah berhenti sebelum:

- membersihkan atau mengeluarkan sumbatan
- meninggalkan produk tanpa pengawasan
- memasang atau melepaskan alat tambahan
- memeriksa, melakukan perawatan, atau melakukan sesuatu pada produk

Ukuran area kerja tergantung pada pekerjaan yang dilakukan serta ukuran pohon atau benda kerja yang terlibat. Misalnya, penebangan pohon membutuhkan area kerja yang lebih besar daripada membuat potongan lain (yaitu pembagian batang, dll.). Operator perlu mengawasi dan mengendalikan segala sesuatu yang terjadi di area kerja.

Jangan memotong dengan posisi tubuh Anda sejajar dengan bar pemandu dan rantai. Jika Anda mengalami sentakan, langkah ini akan membantu mencegah rantai menyentuh kepala atau tubuh Anda.

Jangan gunakan gerakan mengayun ke depan dan ke belakang, biarkan rantainya yang bekerja. Jagalah agar rantai tetap tajam, dan jangan mencoba mendorong rantai melalui potongan.

Jangan memberi tekanan pada gergaji di ujung potongan. Bersiap-siaplah untuk menahan berat gergaji saat gergaji terlepas dari kayu. Gagal melakukan demikian akan menyebabkan cedera.

Jangan hentikan gergaji di tengah operasi pemotongan.

Biarkan gergaji berjalan sampai ia terlepas dari potongan. Jangan menahan tombol on/off pada posisi "on" saat menggunakan produk gegam.

Lepaskan paket baterai sebelum memulai pekerjaan apa pun pada produk.

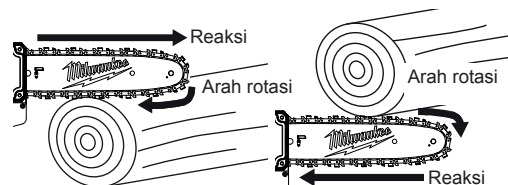
PERINGATAN! Untuk mengurangi risiko kebakaran, cedera pribadi, dan kerusakan produk akibat hubungan arus pendek, jangan pernah merendam alat, baterai atau charger Anda dalam cairan atau membiarkan cairan mengalir di dalamnya. Cairan korosif atau konduktif, seperti air laut, bahan kimia industri tertentu, dan produk pemutih atau yang mengandung pemutih, dan sebagainya, dapat menyebabkan hubungan arus pendek.

Hanya gunakan pengisi daya System M18 untuk mengisi daya paket baterai System M18. Jangan menggunakan unit baterai dari sistem lain.

Jangan sekali-kali membuka unit baterai dan pengisi daya serta hanya simpan di tempat kering. Jaga kemasan baterai tetap kering sepanjang waktu.

Tarik dan dorong

Gaya reaksi selalu berlawanan dengan arah gerak rantai. Dengan demikian, operator harus siap untuk mengendalikan kecenderungan produk untuk menarik diri (gerakan maju) ketika memotong di tepi bawah bar dan menekan ke belakang (ke arah operator) ketika memotong sepanjang tepi atas.



Gergaji tersangkut dalam potongan

Hentikan produk, dan lepaskan baterai. Jangan mencoba untuk memaksa rantai dan bar keluar dari potongan karena akan memutuskan rantai, rantai dapat berayun balik dan menyerang

operator. Situasi ini biasanya terjadi karena kayu tidak ditunjang dengan benar yang memaksa potongan menutup di bawah tekanan, sehingga menjepit mata gergaji. Jika menyesuaikan penunjang tidak melepaskan bar dan rantai, gunakan irisan kayu atau tuas untuk membuka potongan dan melepaskan gergaji. Jangan pernah mencoba menyalakan produk ketika bar pemandu berada dalam potongan atau garitan.

Skating/Bouncing

Ketika produk gagal mendorong masuk selama pemotongan, bar pemandu dapat meloncat atau tergelincir di sepanjang permukaan log atau dahan secara berbahaya, dan dapat menyebabkan hilangnya kendali atas produk. Untuk mencegah atau mengurangi meluncurnya atau memantulnya produk, selalu gunakan produk dengan kedua tangan untuk memastikan gergaji rantai membentuk ceruk pemotongan. Jangan memotong dahan kecil, lentur atau semak dengan produk Anda.

Ukuran dan kelenturan material tersebut dapat dengan mudah menyebabkan gergaji melambung ke arah Anda atau membelitnya dengan kekuatan yang cukup untuk menyebabkan sentakan. Produk terbaik untuk jenis pekerjaan itu adalah gergaji tangan, gunting pemangkas, kapak, atau produk manual lainnya.

Alat pelindung diri

Lihat halaman 14

Selalu gunakan helm selama mengoperasikan produk ini. Helm yang dilengkapi dengan pelindung wajah, dapat membantu mengurangi risiko cedera pada wajah dan kepala jika terjadi sentakan. Pakai pelindung telinga. Berada di lingkungan yang bising dapat menyebabkan gangguan pendengaran.

Alat pelindung diri yang berkualitas baik, seperti yang digunakan oleh para profesional, akan membantu mengurangi risiko cedera pada operator. Item-item berikut harus digunakan saat mengoperasikan produk:

- Helm keselamatan harus sesuai EN 397 dan bertanda CE
- Pelindung telinga harus sesuai dengan EN 352-1 dan bertanda CE
- Pelindung mata dan telinga harus bertanda CE dan sesuai dengan EN 166 (untuk pelindung mata) atau EN 1731 (untuk pelindung wajah)
- Sarung tangan harus sesuai dengan EN 381-7 dan bertanda CE
- Pelindung kaki (chap) harus sesuai dengan EN 381-5, bertanda CE dan memberikan perlindungan menyeluruh
- Sepatu keselamatan gergaji rantai harus sesuai dengan EN ISO 20345:2004 dan bertanda perisai yang menggambarkan gergaji rantai untuk menunjukkan kesesuaian dengan EN 381-3. (Kadang-kadang pengguna dapat menggunakan sepatu pengaman bertempur baja dengan selubung pelindung yang sesuai dengan EN 381-9 jika tanahnya rata, meski ada sedikit risiko tersandung atau tertimpa semak belukar.)
- Jaket gergaji rantai untuk pelindung tubuh bagian atas harus sesuai dengan EN 381-11 dan bertanda CE

PERANGKAT KEAMANAN

⚠ PERINGATAN! Konsekuensi dari perawatan yang tidak baik, pemindahan, atau modifikasi fitur keselamatan seperti rem rantai, sakelar pengapian, pelindung tangan (depan dan belakang), bumper bergerigi, penangkap rantai, bar pemandu, rantai gergaji sentakan-rendah dapat menyebabkan fitur keselamatan tidak berfungsi dengan semestinya, sehingga meningkatkan potensi cedera serius.

Rantai gergaji sentakan-rendah

Rantai gergaji sentakan-rendah membantu mengurangi kemungkinan terjadinya sentakan. Penggaruk (pengukur kedalaman) di depan setiap pemotong dapat meminimalkan gaya reaksi sentakan dengan cara menahan pemotong masuk terlalu dalam. Hanya gunakan bar pemandu pengganti dan kombinasi rantai yang direkomendasikan oleh produsen. Saat gergaji gergaji diasah, gergaji kehilangan sebagian sifat sentakan rendahnya sehingga diperlukan kehati-hatian ekstra. Demi keselamatan Anda, ganti gergaji saat kinerja pemotongan menurun.

Bamper bergerigi

Gerigi bamper integral dapat digunakan sebagai poros saat membuat potongan. Cara ini membantu menjaga badan produk tetap stabil saat memotong. Saat memotong, dorong produk ke depan sampai geriginya masuk ke tepi kayu, kemudian dengan menggerakkan gagang belakang ke atas atau ke bawah dalam arah garis potong, cara ini bisa membantu meringankan ketegangan fisik pemotongan.

Bar pemandu

Umumnya, bar pemandu dengan ujung jari-jari kecil memiliki potensi sentakan yang lebih rendah. Anda harus menggunakan bar pemandu dan rantai yang sesuai, yang panjangnya tepat untuk pekerjaan itu. Bar yang lebih panjang meningkatkan risiko hilangnya kendali saat menggergaji. Periksa ketegangan rantai secara teratur. Ketika memotong cabang yang lebih kecil (kurang dari panjang bar pemandu), rantai lebih mungkin terlempar jika ketegangannya tidak pas.

INSTRUKSI MENGENAI TEKNIK YANG TEPAT UNTUK PEMOTONGAN DAHAN, DAN PEMOTONGAN MELINTANG

Pahami daya di dalam kayu

Ketika Anda memahami tekanan dan tegangan terarah di dalam kayu, Anda dapat mengurangi "jepitan" atau setidaknya dapat memperkirakannya selama pemotongan. Ketegangan dalam kayu berarti seratnya sedang dipisahkan, dan jika Anda memotong di daerah ini, "goresan" atau potongan akan cenderung terbuka saat gergaji melaluinya. Jika batang kayu tersebut diganjil dengan kuda-kuda dan ujungnya tergantung tidak diganjil, tegangan terbentuk pada permukaan bagian atas yang ditimbulkan berat batang kayu yang bergantung dan merentangkan serat tersebut. Demikian juga, bagian bawah batang akan berada dalam tekanan dan seratnya disatukan. Jika potongan dibuat di area ini, goresan akan cenderung menutup selama pemotongan. Dan menjepit mata gergaji.

Pemangkasan (lihat gambar bagian produk)

PERINGATAN! Jika dahan yang akan dipangkas berada di luar jangkauan produk, pekerjaan seorang profesional untuk melakukan pemangkasan. Gagal melakukan demikian akan menyebabkan cedera pribadi yang serius.

Pemangkasan adalah pemotongan dapohon hidup.

- Bekerjalah dengan perlahan, jaga kedua tangan berada pada peralatan dengan genggamannya yang kuat. Pastikan pijakan Anda kokoh dan berat badan Anda terdistribusi secara merata pada kedua kaki.
- Jangan melakukan pemotongan dengan berdiri di atas tangga; cara ini sangat berbahaya. Pengoperasian seperti ini harus dilakukan oleh tenaga profesional.
- Selama penggunaan, tangan kanan yang mengenggam produk tidak boleh diangkat melebihi tinggi dada. Saat menahan produk dengan posisi yang lebih tinggi akan menyulitkan kendali terhadap gaya sentakan. Ketika memangkas pohon, penting untuk tidak melakukan

pemotongan akhir di sebelah dahan atau pokok batang utama, hingga Anda memotong dahan lain untuk mengurangi bobot. Cara ini akan mencegah pengelupasan kulit kayu dari batang utama.

- Lakukan pemotongan dari atas (underbuck) 1/3 bagian dahan untuk pemotongan pertama Anda.
- Pemotongan kedua harus dilakukan dari bawah (overbuck) untuk menjatuhkan dahan tersebut. Buat potongan akhir Anda dengan halus dan rapi terhadap batang utama sehingga kulit akan tumbuh kembali untuk menutup luka.

Kait Penarik

Gunakan kait penarik untuk meraih dahan yang dipangkas dan menariknya dari kanopi pohon.

Pemotongan dahan (limbing)

Limbing adalah membuang dahan-dahan dari pohon yang roboh. Saat memotong dahan, letakkan dahan bagian bawah yang lebih besar sebagai penopang batang kayu di atas tanah. Buang dahan kecil dengan satu pemotongan. Dahan yang berada di bawah tegangan harus dipotong dari bawah ke atas untuk menghindari terjepitnya produk.

Pemotongan batang yang melengkung (spring poles)

Springpole adalah batang kayu, dahan, batang yang berakar, atau pancang yang ditekuk oleh kayu lain sehingga muncul kembali jika kayu yang menahannya dipotong atau dibuang.

Pada pohon yang tumbang, tunggul yang berakar berpotensi besar untuk kembali ke posisi tegak selama pemotongan bucking untuk memisahkan batang kayu dari tunggul pohon. Berhati-hatilah akan springpoles-mereka berbahaya.

PERINGATAN! Batang yang melengkung berbahaya dan dapat menghantam operator, menyebabkan operator kehilangan kendali atas produk. Kondisi ini dapat menyebabkan cedera parah atau fatal pada operator. Pemotongan batang yang melengkung ini harus ditangani oleh pengguna terlatih.

PETUNJUK KESELAMATAN TAMBAHAN

Beberapa wilayah memiliki peraturan yang membatasi penggunaan produk ini. Tanyakan kepada otoritas lokal Anda untuk saran lebih lanjut.

Jangan pernah membiarkan anak-anak atau orang-orang tidak paham dengan instruksi untuk menggunakan produk. Peraturan setempat mungkin membatasi usia operator.

Sebelum setiap penggunaan, pastikan semua kontrol dan perangkat keamanan berfungsi dengan baik. Jangan gunakan produk jika sakelar "off" tidak menghentikan mesin.

Jangan gunakan pakaian longgar, celana pendek, atau perhiasan apa pun.

Ikatlah rambut yang panjang sehingga rambut berada di atas bahu agar tidak tersangkut di dalam bagian alat yang bergerak.

Waspadalah akan benda yang terlempar, beterbangan atau berjatuhan. Semua pengamat, anak-anak, dan hewan harus menjauh setidaknya 15m dari area kerja.

Jangan gunakan produk dalam kondisi pencahayaan yang kurang baik. Operator membutuhkan gambaran yang jelas akan area kerja guna mengidentifikasi potensi bahaya.

Penggunaan perlindungan pendengaran mengurangi kemampuan untuk mendengar suara peringatan (teriakan atau alarm). Operator harus memberikan perhatian ekstra atas apa yang terjadi di area kerja.

Mengoperasikan produk serupa di dekatnya meningkatkan risiko cedera pendengaran dan potensi orang lain untuk

memasuki area kerja Anda.

Jaga pijakan dan keseimbangan tetap kokoh. Jangan melampaui batas.

Menjangkau dapat menyebabkan hilangnya keseimbangan dan dapat meningkatkan risiko sentakan.

Jauhkan semua anggota tubuh Anda dari bagian alat yang bergerak.

Periksa produk sebelum digunakan. Periksa pengoperasian yang semestinya dari semua kendali, termasuk rem rantai. Periksa akan adanya pengunci yang longgar. Pastikan semua pelindung dan tuas terpasang dengan baik dan aman. Ganti semua bagian yang rusak sebelum digunakan.

Jangan memodifikasi produk dengan cara apa pun atau menggunakan komponen dan aksesoris yang tidak direkomendasikan oleh produsen.

PERINGATAN! Jika produk mati, rusak berat, atau mulai bergetar secara tidak normal, segera matikan produk dan periksa kerusakan atau identifikasi penyebab getaran. Setiap kerusakan harus diperbaiki atau diganti dengan benar oleh pangkalan servis MILWAUKEE.

Jangan membuang unit baterai bekas dalam sampah rumah tangga atau membakarnya. Distributor Milwaukee menerima kembali baterai bekas untuk menjaga lingkungan. Jangan menyimpan paket baterai bersama benda logam (risiko arus pendek).

Hanya gunakan pengisi daya System M18 untuk mengisi daya paket baterai System M18. Jangan menggunakan unit baterai dari sistem lain. Asam baterai dapat merembes dari baterai yang rusak akibat beban atau suhu yang ekstrem. Jika asam baterai mengenai Anda, segera cuci dengan sabun dan air. Jika mengenai mata, bilas sebanyak-banyaknya selama setidaknya 10 menit dan segera dapatkan penanganan medis.

PERINGATAN KESELAMATAN BATERAI TAMBAHAN

⚠ PERINGATAN! Untuk mengurangi risiko kebakaran, cedera pribadi, dan kerusakan produk akibat hubungan arus pendek, jangan pernah merendam alat, baterai atau charger Anda dalam cairan atau membiarkan cairan mengalir di dalamnya. Cairan korosif atau konduktif, seperti air laut, bahan kimia industri tertentu, dan produk pemutih atau yang mengandung pemutih, dan sebagainya, dapat menyebabkan hubungan arus pendek.

PENGURANGAN RISIKO

Telah dilaporkan bahwa getaran dari alat genggam dapat menyebabkan kondisi yang disebut Sindrom Raynaud pada orang-orang tertentu. Gejalanya bisa meliputi kesemutan, mati rasa dan jari yang memucat, yang biasanya terlihat saat terpapar dingin. Faktor keturunan, paparan dingin dan kelembaban, makanan, kebiasaan merokok dan cara bekerja diperkirakan berkontribusi pada memburuknya gejala ini. Ada beberapa tindakan yang bisa dilakukan oleh operator untuk mengurangi efek getaran:

- Jaga agar tubuh Anda tetap hangat dalam cuaca dingin. Saat mengoperasikan alat ini, gunakan sarung tangan untuk menjaga tangan dan pergelangan tangan tetap hangat.
- Setelah mengoperasikan alat selama satu periode waktu, gerakkan badan untuk memperlancar sirkulasi darah.
- Sering-seringlah beristirahat bekerja. Batasi jumlah paparan per hari.
- Sarung tangan pelindung yang tersedia pada toko pengecer rantai gergaji profesional dirancang khusus untuk

penggunaan gergaji ini akan memberikan perlindungan, gengaman yang baik serta mengurangi efek getaran gagang gergaji. Sarung tangan ini harus sesuai dengan EN 381-7 dan bertanda CE.

Jika Anda mengalami gejala kondisi ini, segera hentikan penggunaan dan kunjungi dokter Anda.

⚠ PERINGATAN! Cedera dapat disebabkan, atau diperburuk oleh penggunaan produk yang berkepanjangan. Saat menggunakan produk untuk waktu yang lama, pastikan Anda beristirahat secara teratur.

PENGANGKUTAN DAN PENYIMPANAN

Matikan produk, lepaskan baterai dan biarkan alat menjadi dingin sebelum menyimpan atau mengangkutnya.

Bersihkan semua material asing dari produk. Simpanlah di dalam tempat yang sejuk dan berventilasi baik yang tidak dapat dijangkau oleh anak-anak. Jauhkan dari bahan-bahan korosif seperti bahan kimia untuk berkebun dan garam peluruh es. Jangan simpan di luar ruangan.

Untuk pengangkutan dengan kendaraan, amankan produk dari pergerakan atau kejatuhan agar tidak menyebabkan cedera terhadap seseorang atau produk itu sendiri.

MENGANGKUT BATERAI LITUM

Baterai litium-ion tunduk pada persyaratan Legisiasi Barang Berbahaya.

Pengangkutan baterai ini harus dilakukan sesuai regulasi dan peraturan daerah, nasional, dan internasional.

- Pengguna dapat membawa baterai di jalan tanpa peraturan lebih lanjut.
- Pengangkutan komersial baterai Litium-ion oleh pihak ketiga tunduk pada peraturan Barang Berbahaya. Persiapan pengangkutan dan pengangkutan harus dilakukan oleh orang yang terlatih dan prosesnya harus didampingi oleh pakar yang terkait.

Ketika mengangkut baterai:

- Pastikan bahwa terminal kontak baterai terlindungi dan terisolasi untuk mencegah korsleting.
- Pastikan wadah baterai sudah dikencangkan agar tidak terpengaruh oleh pergerakan di dalam pengemasannya.
- Jangan mengangkut baterai yang retak atau bocor.

Tanyakan kepada perusahaan pengiriman untuk memperoleh pemberitahuan lebih lanjut.

RISIKO RESIDUAL

Bahkan ketika produk digunakan seperti yang ditentukan, masih tidak mungkin untuk sepenuhnya menghilangkan faktor risiko residual tertentu. Bahkan berikut mungkin timbul dalam penggunaan dan operator harus memberikan perhatian khusus untuk menghindari hal-hal berikut:

- Cedera disebabkan oleh kontak dengan bilah Kontak dengan bilah dapat menyebabkan cedera serius. Jauhkan bilah dari diri Anda dan orang lain. Tutup dengan pelindung bilah setiap kali Anda tidak menggunakannya untuk memotong.
- cedera yang disebabkan oleh vibrasi Pegang produk dengan menggunakan tuas yang disediakan dan batasi waktu kerja dan paparan.
- Berada di lingkungan yang bising dapat menyebabkan gangguan pendengaran. Gunakan pelindung telinga dan batasi paparan.

- Cedera akibat terdampar serpihan. Gunakan pelindung mata, celana panjang tebal, sarung tangan dan alas kaki yang kuat setiap saat.

KONDISI PENGGUNAAN KHUSUS

Produk ini hanya dimaksudkan untuk penggunaan di luar ruangan.

Produk ini tidak sesuai untuk menebang pohon.

Untuk alasan keamanan, gergaji bergagang panjang harus dikendalikan dengan menggunakan kedua tangan sepanjang waktu.

Produk ini dirancang untuk memotong dahan, batang, kayu gelondongan, dan balok dengan diameter yang ditentukan oleh panjang pemotongan bar pemandu. Produk hanya dirancang untuk memotong kayu. Hanya untuk digunakan oleh orang dewasa yang telah menerima pelatihan yang memadai tentang bahaya dan tindakan pencegahan/tindakan yang harus dilakukan saat menggunakan produk ini.

Jangan menggunakan produk untuk tujuan apa pun yang tidak tercantum dalam kondisi penggunaan yang ditentukan. Tidak untuk digunakan oleh layanan penanganan pohon profesional. Produk tidak boleh digunakan oleh anak-anak atau oleh orang-orang yang tidak memakai perlengkapan dan pakaian pelindung diri yang memadai.

PERINGATAN! Saat menggunakan produk, aturan keamanan harus diikuti. Untuk keselamatan Anda dan orang-orang yang ada di sekitar Anda, Anda harus membaca dan memahami petunjuk ini sepenuhnya sebelum mengoperasikan produk. Anda harus mengikuti pelatihan keselamatan yang dikelola secara profesional dalam penggunaan, tindakan pencegahan, pertolongan pertama, dan perawatan gergaji rantai. Simpan instruksi ini dengan baik untuk digunakan di kemudian hari.

PERINGATAN! Gergaji rantai adalah produk yang berpotensi berbahaya. Kecelakaan yang melibatkan penggunaan gergaji rantai sering mengakibatkan hilangnya anggota tubuh atau kematian. Bukan hanya gergaji rantai yang merupakan bahaya. Ranting yang berjatuh, pohon yang tumbang, dan batang kayu yang menggelinding dapat membunuh. Kayu yang sakit atau membusuk menimbulkan bahaya ekstra. Anda harus menilai kemampuan Anda menyelesaikan tugas dengan aman. Jika ada keraguan, serahkan kepada ahli penanganan pohon profesional.

Jangan gunakan produk ini selain penggunaan normal yang telah dinyatakan.

BATERAI

Paket baterai yang belum digunakan selama beberapa waktu harus diisi kembali dayanya sebelum digunakan.

Suhu yang melebihi 50°C (122°F) akan mengurangi kinerja paket baterai. Hindari paparan berkepanjangan terhadap panas atau sinar matahari (risiko panas berlebihan).

Kontak pada pengisi daya dan paket baterai harus dijaga kebersihannya.

Untuk masa pemakaian optimal, paket baterai harus diisi dayanya hingga penuh setelah digunakan.

Untuk memaksimalkan masa pemakaian baterai, lepaskan paket baterai dari pengisi daya setelah terisi sepenuhnya.

- Untuk penyimpanan paket baterai lebih dari 30 hari: Simpan paket baterai jika suhu berada di bawah 27°C dan jauhkan dari kelembapan.

- Simpan paket baterai dalam kondisi terisi dayanya 30% - 50%.
- Jika penyimpanan paket baterai mencapai enam bulan, isi daya baterai seperti biasa.

PEMELIHARAAN

Menambah oli pelumas rantai (lihat gambar bagian produk)

PERINGATAN! Jangan pernah bekerja tanpa oli rantai. Jika rantai gergaji digunakan tanpa oli, bar pemandu dan rantai gergaji dapat rusak. Sangat penting untuk sering memeriksa level oli pada alat pengukur ketinggian oli dan sebelum mulai menggunakan produk.

Jaga tempat penyimpanan berisi lebih dari 1/4 penuh untuk memastikan oli yang cukup tersedia untuk pekerjaan tersebut.

Catatan: Disarankan untuk menggunakan oli rantai nabati saat memangkas pohon. Oli mineral dapat membahayakan pohon. Jangan pernah menggunakan oli otomotif, oli bekas atau oli yang sangat kental. Oli-oli ini bisa merusak gergaji rantai. Bersihkan permukaan di sekeliling tutup oli untuk mencegah kontaminasi.

Menyesuaikan tegangan rantai (lihat gambar bagian produk)

⚠ PERINGATAN! Gergaji rantai ini tajam. Selalu kenakan sarung tangan pelindung saat melakukan perawatan pada rantai.

Ketegangan rantai berukuran tepat ketika celah antara pemotong dalam rantai dan bar adalah sekitar 3 mm. Tarik rantai di tengah sisi bawah bar ke bawah (menjauhi dari bar) dan ukur jarak antara bar dan pemotong rantai. Kencangkan mur pemasangan bar dengan memutarkannya berlawanan arah jarum jam.

Catatan: Jangan memberikan tekanan berlebih pada rantai. Tekanan berlebih menyebabkan keausan dan mengurangi masa pakai rantai serta dapat merusak bar. Rantai baru dapat meregang dan mengendur selama penggunaan awal. Keluarkan baterai dan sering-seringlah memeriksa tegangan rantai selama dua jam pertama penggunaan. Suhu rantai meningkat selama operasi normal, menyebabkan rantai meregang. Periksa ketegangan rantai secara teratur dan sesuaikan sesuai kebutuhan. Rantai yang tegang saat hangat mungkin berubah terlalu kencang setelah dingin. Pastikan tegangan rantai diatur dengan tepat seperti yang ditentukan dalam instruksi ini.

Rantai dan Bar

Setiap beberapa jam penggunaan, lepaskan penutup penggerak, bar pemandu, dan rantai dan bersihkan secara menyeluruh menggunakan sikat berbulu halus. Pastikan lubang minyak pada bar tersebut bersih dari serpihan. Saat mengganti rantai yang tumpul dengan yang tajam, baik untuk membalik bar rantai dari bawah ke atas.

Jadwal perawatan

Pelumasan bar	Sebelum tiap penggunaan
Tegangan rantai	Sebelum tiap penggunaan dan sering kali
Ketajaman rantai	Sebelum tiap penggunaan, pemeriksaan secara visual
Bagian-bagian yang rusak	Sebelum tiap penggunaan, pemeriksaan secara visual
Pengencang yang longgar	Sebelum tiap penggunaan, periksa dan bersihkan

Bar pemandu Setelah tiap penggunaan, periksa dan bersihkan

Produk lengkap Periksa setiap 5 jam pengoperasian

Aksesori

Gunakan hanya aksesori MILWAUKEE dan suku cadang MILWAUKEE. Jika komponen harus diganti, namun belum ada penjelasannya, hubungi salah satu agen servis MILWAUKEE kami (lihat daftar alamat penggaransi/servis).

Jika diperlukan, gambar pecahan komponen dapat dipesan. Sebutkan tipe mesin dan sepuluh digit nomor yang tertera pada label dan pesanlah gambarnya pada agen layanan setempat.

SIMBOL



PERHATIAN! PERINGATAN! BAHAYA!



Baca petunjuk dengan cermat sebelum memulai menggunakan produk.



Lepaskan paket baterai sebelum memulai pekerjaan apa pun pada produk.



Pakai sarung tangan!



Selalu gunakan pakaian dan sepatu pelindung.



Gunakan helm keselamatan. Pakailah pelindung telinga! Gunakan kacamata pelindung.



Selalu gunakan dua tangan saat menggunakan produk.



Gunakan pelindung tubuh bagian atas.



Gunakan pelindung kaki.



Jaga jarak pengamat setidaknya 15m selama penggunaan.



Jaga jarak produk setidaknya 15m dari saluran listrik.



Hindari kontak dengan ujung bar.



BAHAYA! Waspadalah akan adanya sentakan.



Reservoir Minyak Rantai



Arah Rantai



Penyesuaian Tegangan rantai



Jangan menggunakannya di tengah hujan atau membiarkannya di luar saat hujan.



Tingkat daya suara terjamin yang ditunjukkan pada label ini adalah 97 dB(A).



Jangan membuang alat-alat listrik dan kemasan baterai bersama-sama dengan sampah rumah tangga. Peralatan listrik dan baterai yang telah mencapai akhir masa pakainya harus dikumpulkan secara terpisah dan dikembalikan ke fasilitas daur ulang yang kompatibel terhadap lingkungan. Tanyakan kepada pihak berwenang atau peritel setempat mengenai daur ulang dan titik pengumpulan.

n_0

Laju gergaji tanpa beban

V

Volt



Arus Search

