



Nothing but **HEAVY DUTY.**[™]



M18 BPFP-CST
M18 BPFP-CCST
M18 BPFP-WST
M18 BPFPH



User Manual

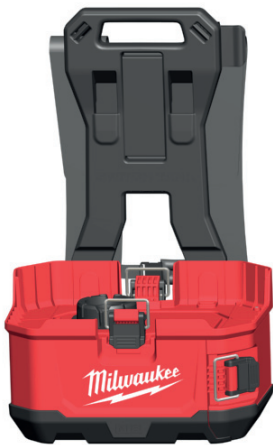
操作指南

操作指南

사용시 주의사항

คู่มือการใช้

Buku Petunjuk Pengguna



Green
 綠色
 绿色
 녹색
 สีเขียว
 Hijau

M18 BFPFH

- Powered base
- 動力底座
- 动力底座
- 강화된 기저부
- ฐานพลังงาน
- Alas beraliran listrik



M18 BFPF-CST

- Chemical tank
- 化工箱
- 化工箱
- 화학 탱크
- ถังเคมี
- Tangki bahan kimia



Black

黑色

黒色

검정색

สีดำ

Hitam



Blue

藍色

藍色

청색

สีน้ำเงิน

Biru



M18 BFP-CCST

Concrete chemical tank

混凝土化學箱

混凝土化学箱

콘크리트 화학 탱크

ถังเคมีคอนกรีต

Tangki bahan kimia bangunan



M18 BFP-WST

Water tank

水箱

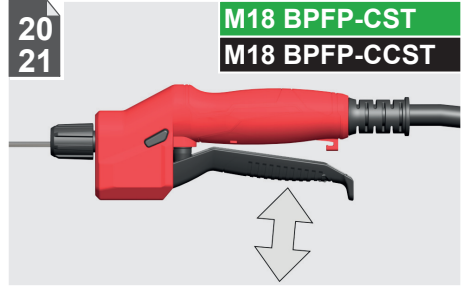
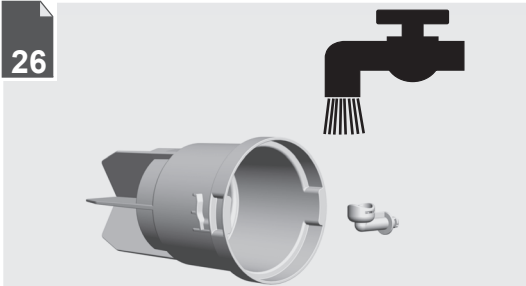
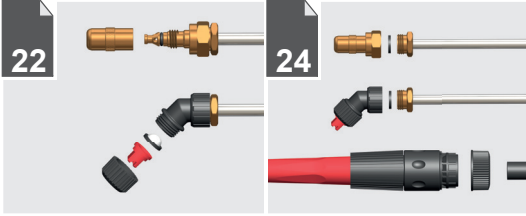
水箱

물 탱크

ถังเก็บน้ำ

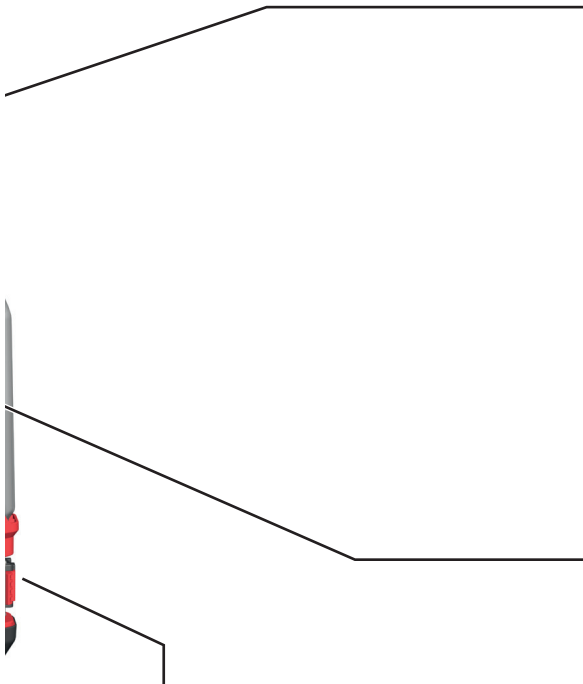
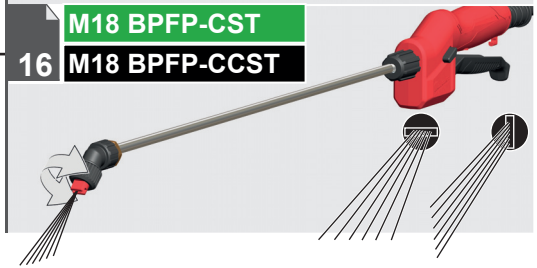
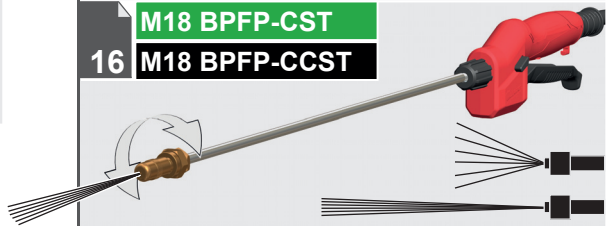
Tangki air





32

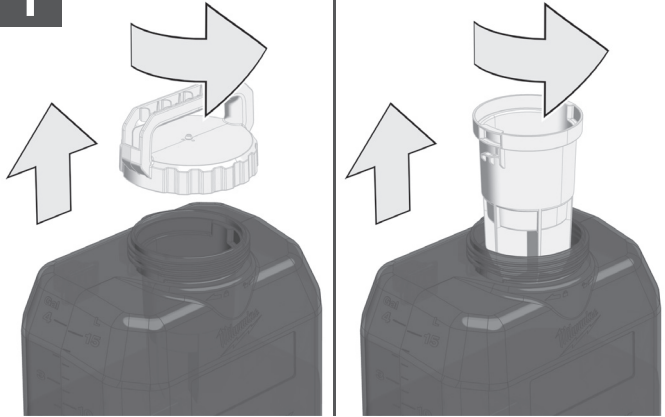
Operation	작동
操作	การปฏิบัติงาน
操作	Pengoperasian



M18 BFPF-CST



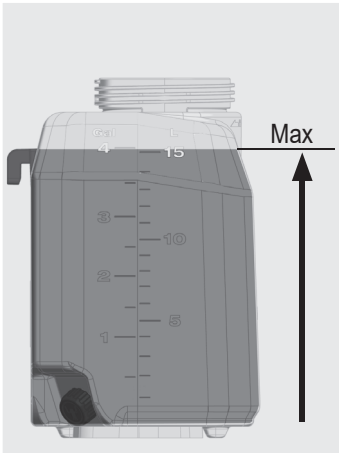
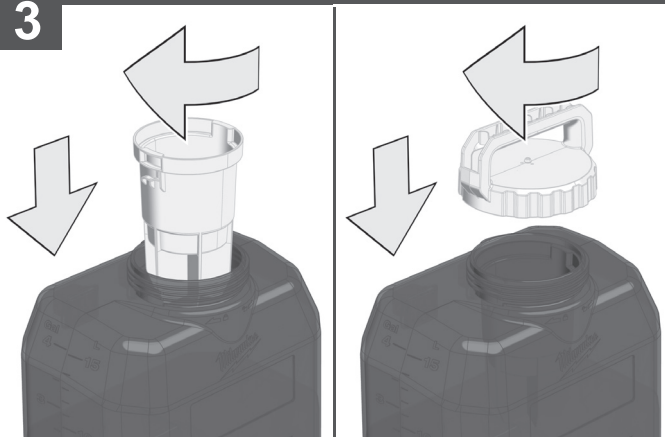
1



2



3





Switch tank with green cap and green label

Fill up the tank only with consumer-grade home and garden chemicals. For details, see text section "Specified Conditions of Use".

帶綠色蓋和綠色標籤的替換箱

僅用消費級家用和園林化學品填充水箱。有關詳細信息，請參見文本部分「特定使用條件」。

帶綠色蓋和綠色標籤的替換箱

僅用消費級家用和園林化學品填充水箱。有關詳細信息，請參見文本部分「特定使用條件」。

녹색 캡 및 녹색 라벨이 있는 스위치 탱크

탱크는 소비자용 가정 및 정원용 화학 물질로만 채웁니다. 자세한 내용은 "지정된 사용 조건" 텍스트 섹션을 참조하십시오.

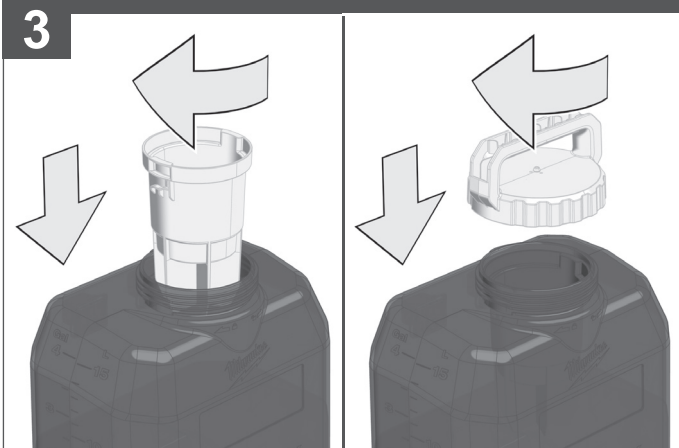
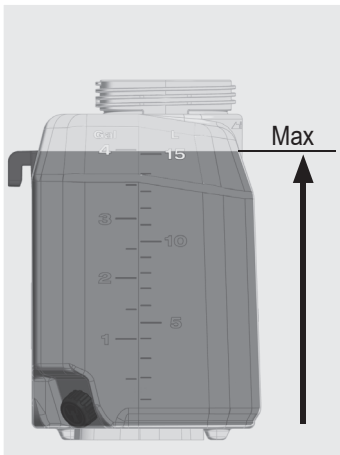
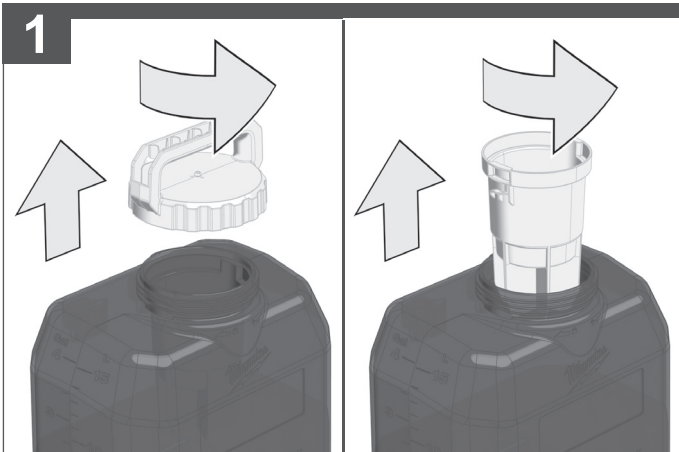
สลับถังที่มีฝาปิดสีเขียวกับฉลากสีเขียว

เติมถังจนเต็มด้วยสารเคมีสำหรับใช้ในครัวเรือนและสวนเท่านั้น สำหรับรายละเอียด โปรดดูเนื้อหาที่ส่วน "เงื่อนไขการใช้เฉพาะงาน"

Tangki pencampur (switch) dengan tutup hijau dan label hijau

Isi tangki hanya dengan bahan kimia rumah dan kebun kelas konsumen. Untuk detail, lihat bagian teks "Ketentuan Penggunaan yang Ditetapkan".

M18 BFPF-CCST





Switch tank with black cap and black label
Fill up the tank only with concrete chemicals. For details, see text section "Specified Conditions of Use".

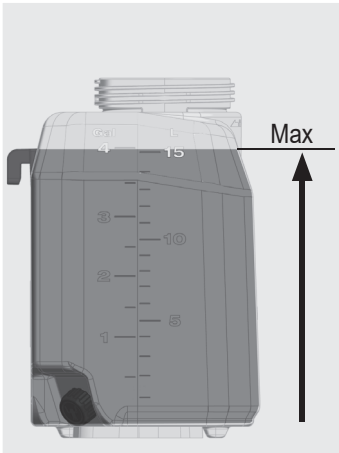
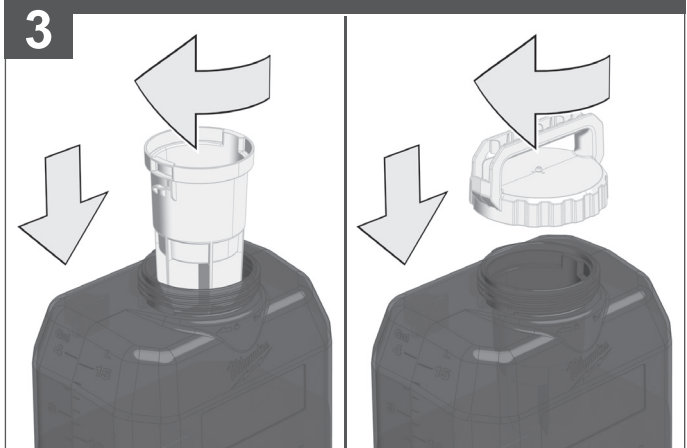
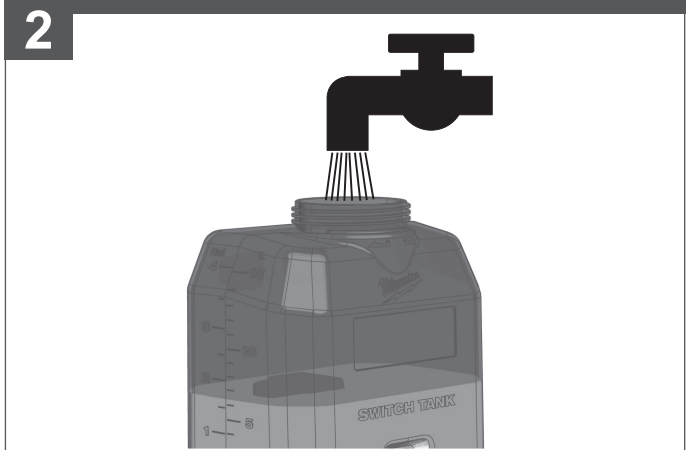
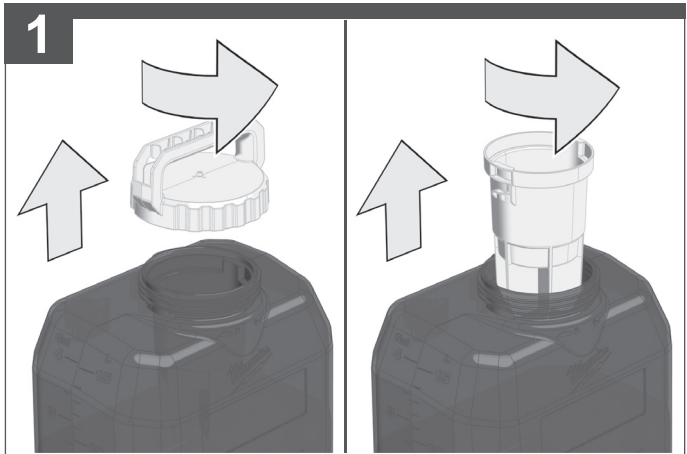
帶黑色蓋和黑色標籤的替換箱
僅在罐中填充混凝土化學品。有關詳細信息，請參見文本部分「特定使用條件」。

帶黑色蓋和黑色標籤的替換箱
僅在罐中填充混凝土化學品。有關詳細信息，請參見文本部分「特定使用條件」。

검은색 캡과 검은색 라벨이 있는 스위치 탱크
탱크에 콘크리트 화학 물질만 채우십시오. 자세한 내용은 "지정된 사용 조건" 텍스트 섹션을 참조하십시오.

สลับถังที่มีฝาปิดสีดำกับฉลากสีดำ
เติมน้ำจืดด้วยสารเคมีผสมเพิ่มคอนกรีตเท่านั้น สำหรับรายละเอียด โปรดดูเนื้อหาที่ส่วน "เงื่อนไขการใช้เฉพาะงาน"

Tangki pencampur dengan tutup hitam dan label hitam
Isi tangki hanya dengan bahan kimia bangunan. Untuk detail, lihat bagian teks "Ketentuan Penggunaan yang Ditetapkan".





Switch tank with blue cap and blue label
Fill up the tank only with water. For details, see text section "Specified Conditions of Use".

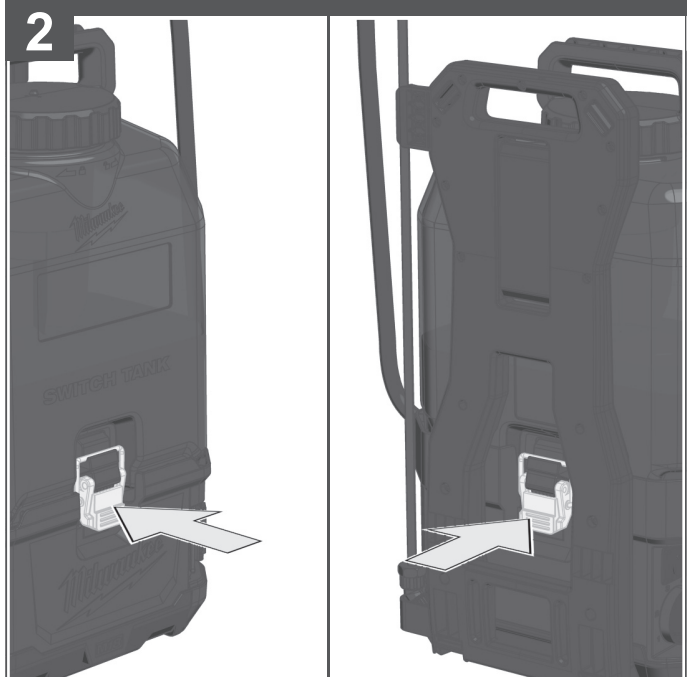
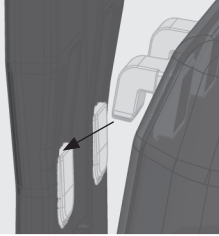
帶藍色蓋和藍色標籤的替換箱
僅在水箱中加水。有關詳細信息，請參見文本部分「特定使用條件」。

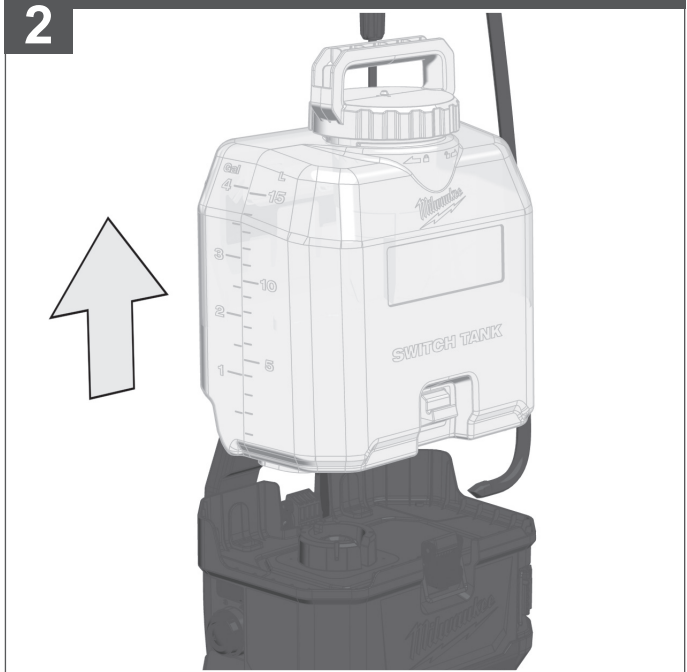
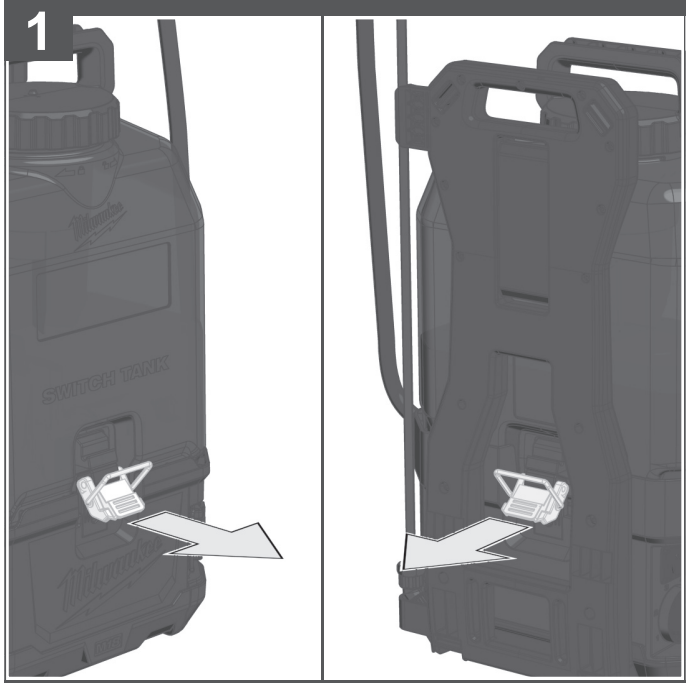
带蓝色盖和蓝色标签的替换箱
仅在水箱中加水。有关详细信息，请参见文本部分「特定使用条件」。

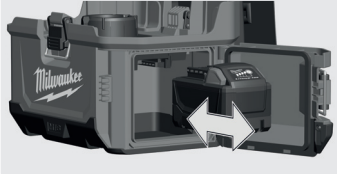
파란색 캡과 파란색 라벨이 있는 스위치 탱크
탱크에 물만 채우십시오. 자세한 내용은 "지정된 사용 조건" 텍스트 섹션을 참조하십시오.

สลับถังที่มีฝาปิดสีน้ำเงินกับฉลากสีน้ำเงิน
เติมน้ำจนเต็มด้วยน้ำเท่านั้น สำหรับรายละเอียด โปรดดูเนื้อหาที่ส่วน "เงื่อนไขการใช้เฉพาะงาน"

Tangki pencampur dengan tutup biru dan label biru
Isi tangki hanya dengan air. Untuk detail, lihat bagian teks "Ketentuan Penggunaan yang Ditentukan".







Remove the battery pack before starting any work on the product.

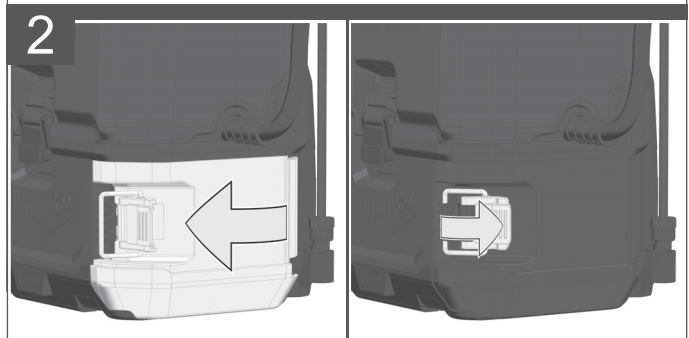
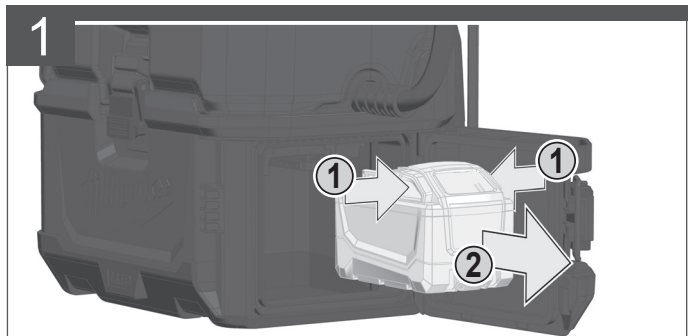
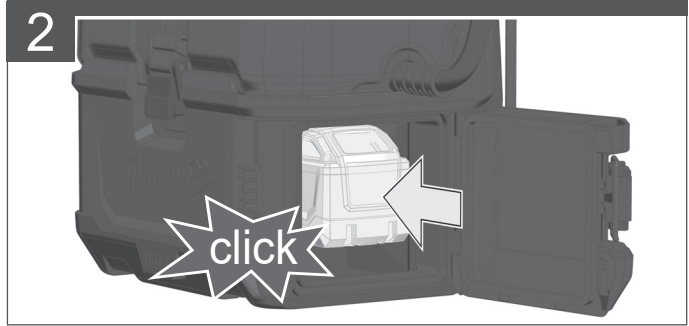
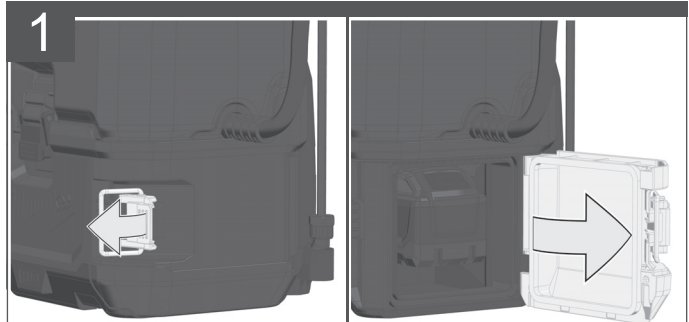
在產品上開始任何工作之前，請先取出電池組。

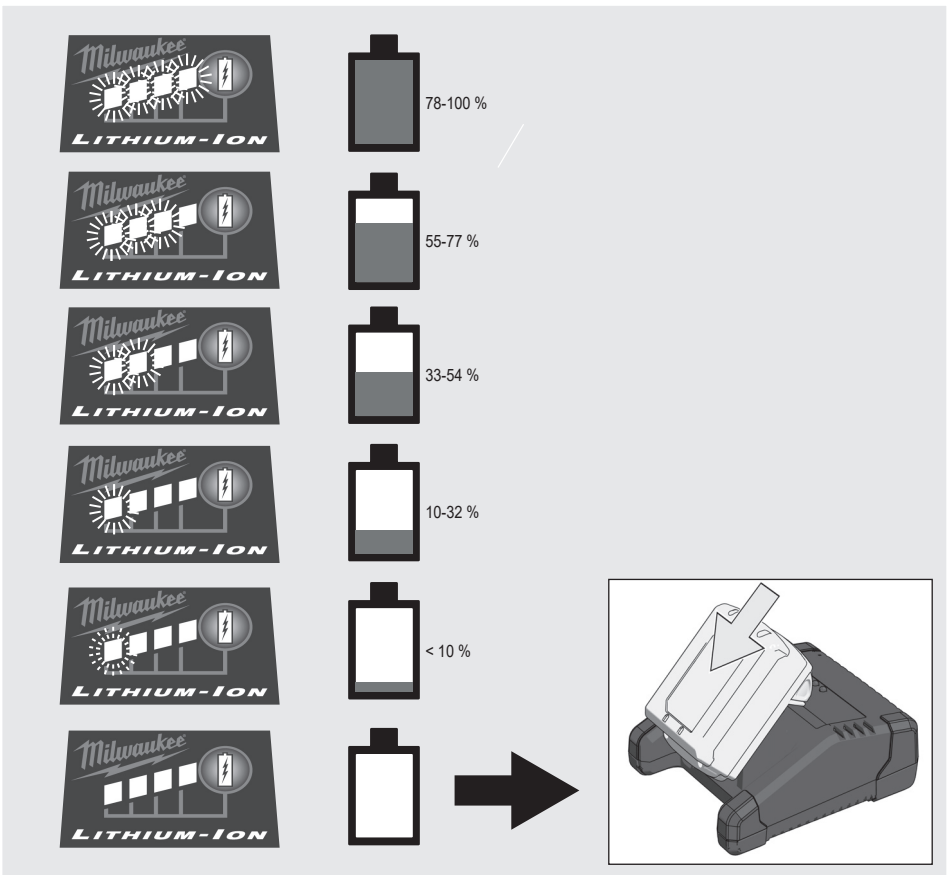
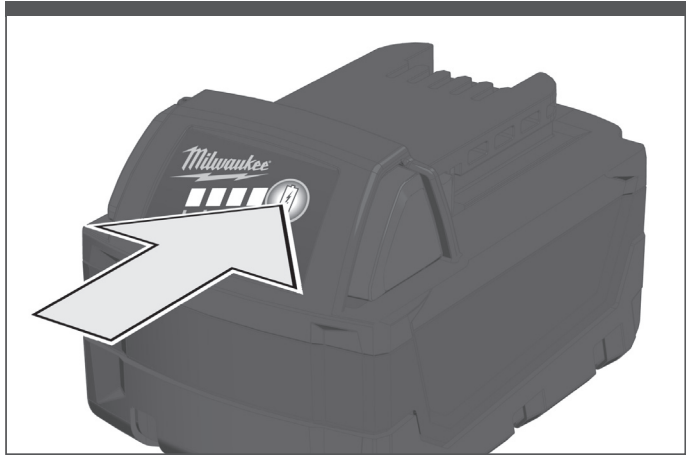
在产品上开始任何工作之前，请先取出电池组。

제품 사용 전, 배터리 팩을 제거하십시오.

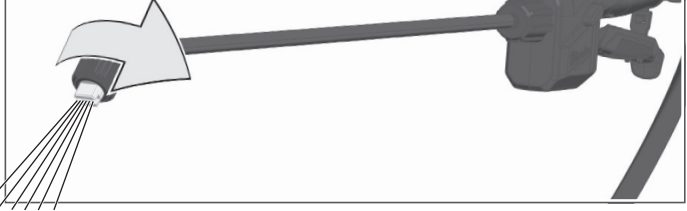
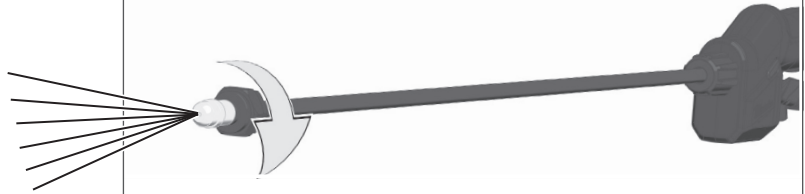
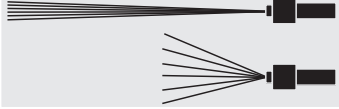
ถอดชุดแบตเตอรี่ออกก่อนเริ่มการทำงานใดๆ กับผลิตภัณฑ์

Lepaskan paket baterai sebelum memulai pekerjaan apa pun pada produk.

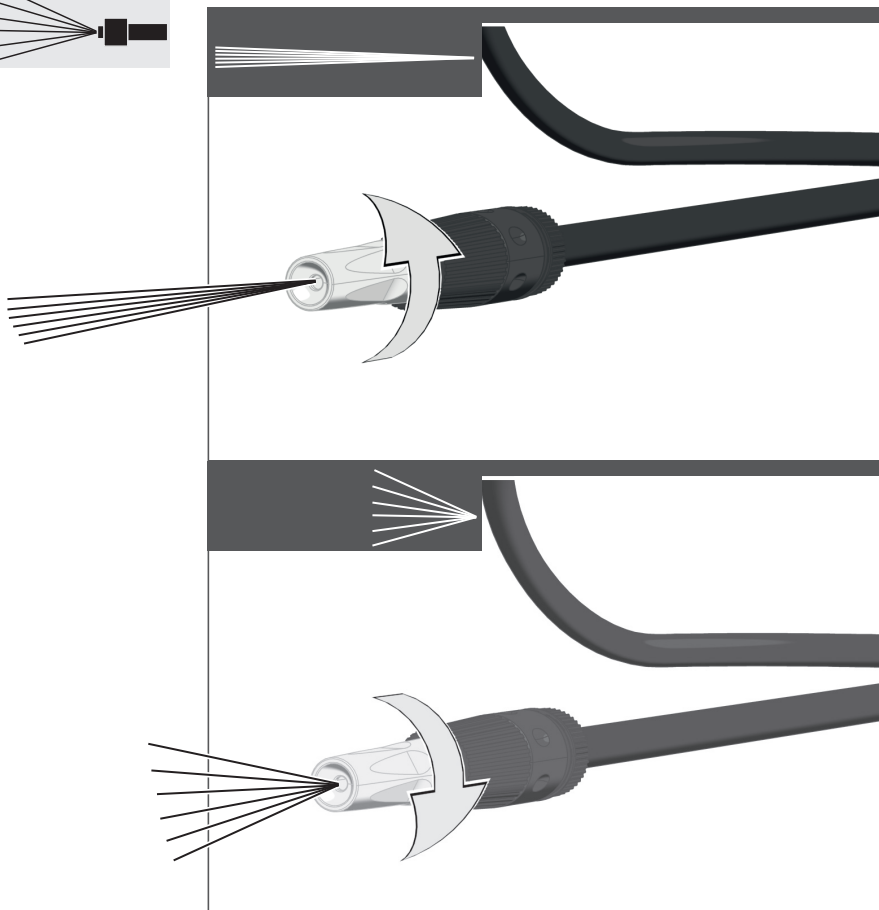
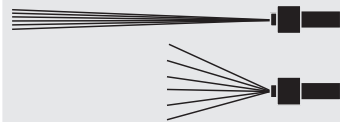


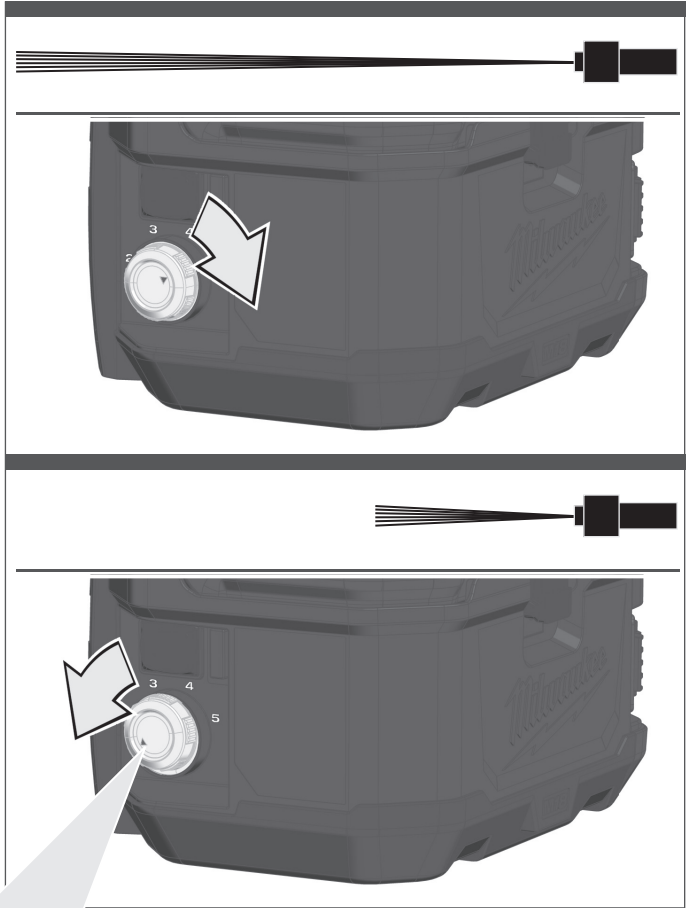






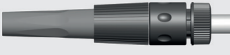
M18 BPFP-CST
M18 BPFP-CCST



M18 BPFP-WST

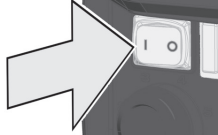




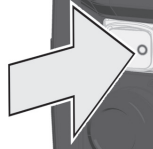
	M18 BFPF-CST		M18 BFPF-CCST		M18 BFPF-WST
	 ø 1.35 mm mL/min	 mL/min	 ø 2.8 mm mL/min	 mL/min	 mL/min
1	248 ~ 413	248 ~ 413	413 ~ 688	398 ~ 663	0 ~ 541
2	424 ~ 636	424 ~ 636	680 ~ 1020	584 ~ 876	0 ~ 863
3	672 ~ 909	672 ~ 909	978 ~ 1323	850 ~ 1150	0 ~ 1380
4	1020 ~ 1380	1020 ~ 1380	1488 ~ 2013	1190 ~ 1610	0 ~ 2070
5	1530 ~ 2070	1530 ~ 2070	2975 ~ 4025	1700 ~ 2300	0 ~ 4600

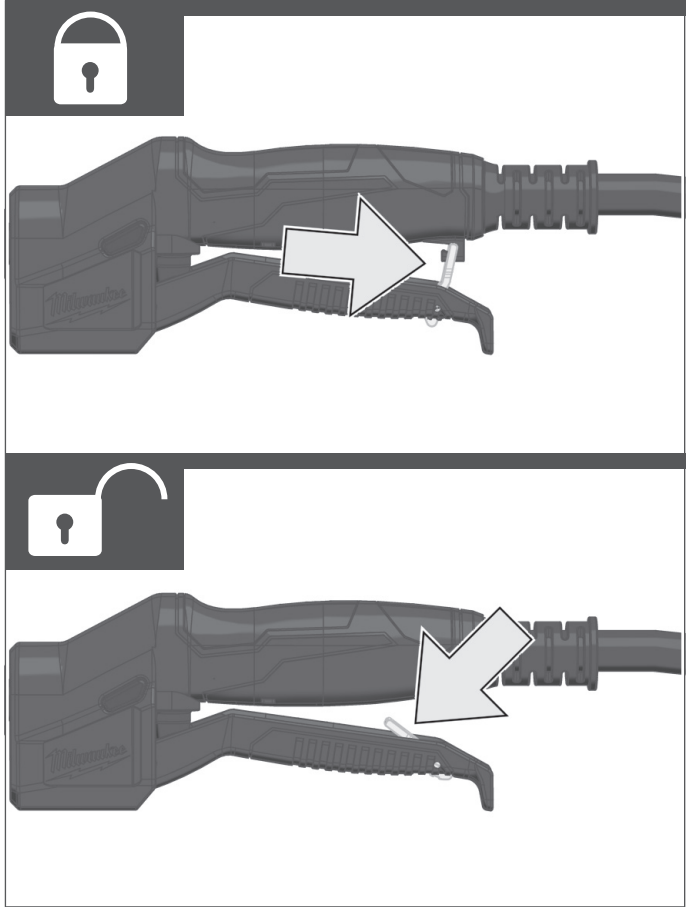
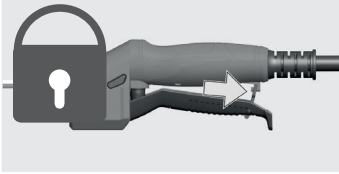


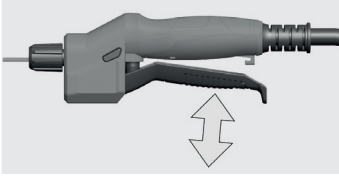
ON / I



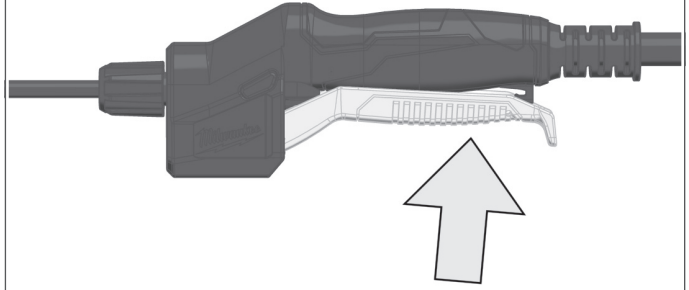
OFF / 0



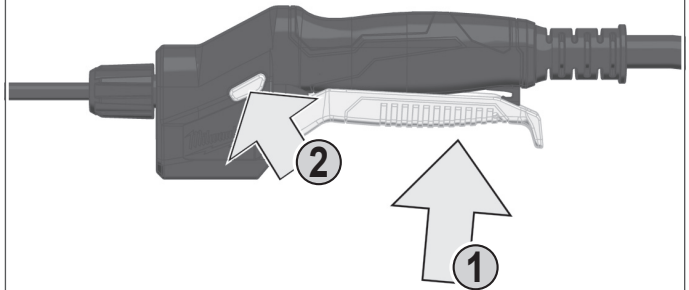




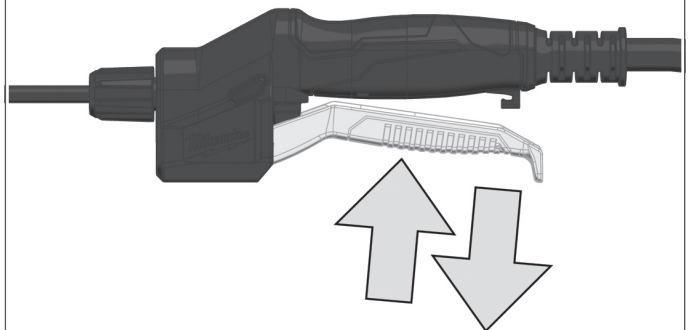
START

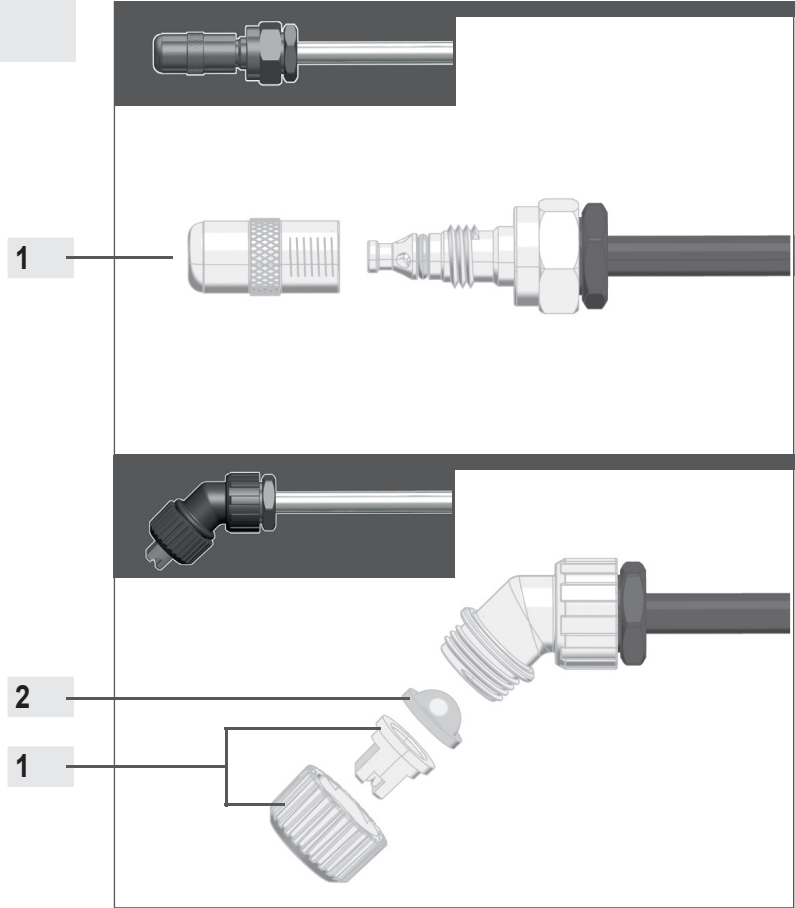
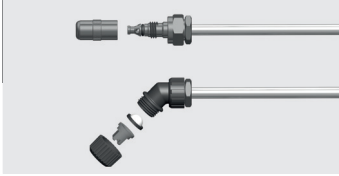


LOCK



STOP





Remove the nozzle (1) counterclockwise by hand.
Clean the nozzle (1) and filter (2) after each use.
Insert the filter (2), and mount the nozzle clockwise by hand.

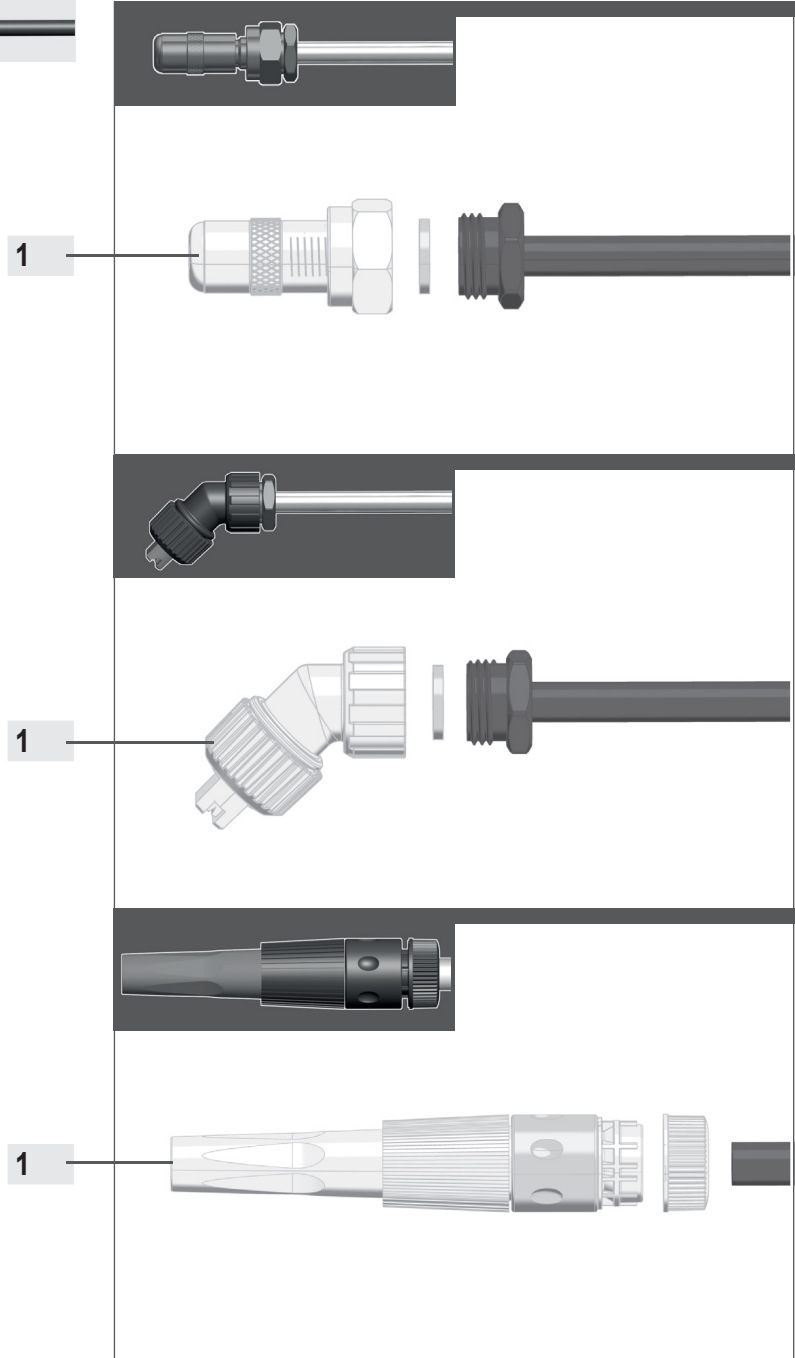
以手逆時針卸下噴嘴（1）。
每次使用後都要清潔噴嘴（1）和過濾器（2）。
插入過濾器（2），然後用手順時針安裝噴嘴。

以手逆时针卸下喷嘴（1）。
每次使用后都要清洁喷嘴（1）和过滤器（2）。
插入过滤器（2），然后用手顺时针安装喷嘴。

손을 사용하여 노즐(1)을 시계 반대 방향으로 돌려 분리합니다.
개별적으로 사용한 후 노즐(1)과 필터(2)를 청소합니다.
필터(2)를 삽입하고 손을 사용하여 노즐을 시계 방향으로 돌려 장착합니다.

ถอดหัวฉีด (1) โดยด้วยมือหมุนทวนเข็มนาฬิกา
ทำความสะอาดหัวฉีด (1) และไส้กรอง (2) หลังการใช้งานทุกครั้ง
ใส่ไส้กรอง (2) และยึดหัวฉีดโดยหมุนด้วยมือตามเข็มนาฬิกา

Lepaskan nozel (1) berlawanan arah jarum jam dengan tangan.
Bersihkan nozel (1) dan filter (2) setiap kali selesai digunakan.
Masukkan filter (2), dan pasang nozel searah jarum jam dengan tangan.



Remove the nozzle attachment (1) counterclockwise by hand.
Nozzle attachments are available as spare parts.
See www.milwaukeeetool.asia
Mount the nozzle attachment (1) clockwise by hand.

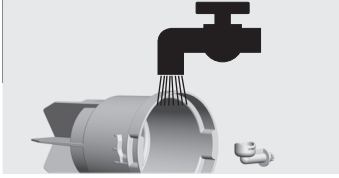
用手逆時針卸下噴嘴附件 (1)。
噴嘴附件為備件。
見www.milwaukeeetool.asia
用手順時針安裝噴嘴附件 (1)。

用手逆时针卸下喷嘴附件 (1)。
喷嘴附件为备件。
见www.milwaukeeetool.asia
用手顺时针安装喷嘴附件 (1)。

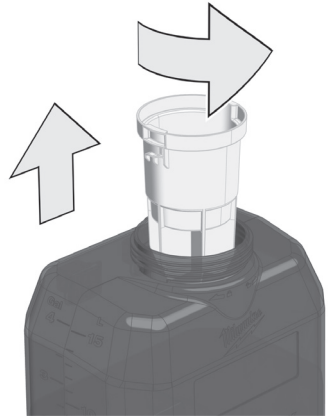
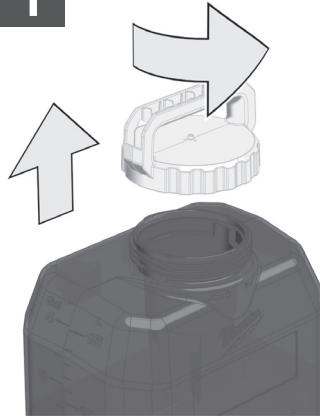
손을 사용하여 노즐 부착물(1)을 시계 반대 방향으로 돌려 분리합니다.
노즐 부착물은 예비 부품으로 제공됩니다.
www.milwaukeeetool.asia 참조
손을 사용하여 노즐 부착물(1)을 시계 방향으로 돌려 장착합니다.

ถอดตัวยึดหัวฉีด (1) โดยหมุนด้วยมือทวนเข็มนาฬิกา
มีตัวยึดหัวฉีดอะไหล่จำหน่าย
ดูที่ www.milwaukeeetool.asia
ติดตั้งตัวยึดหัวฉีด (1) โดยหมุนด้วยมือตามเข็มนาฬิกา

Lepaskan sambungan nozel (1) berlawanan arah jarum jam dengan tangan.
Sambungan nozel tersedia sebagai suku cadang.
Kunjungi www.milwaukeeetool.asia
Pasang sambungan nozel (1) searah jarum jam dengan tangan.

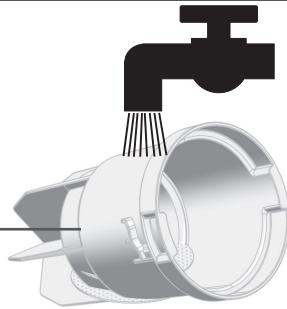


1

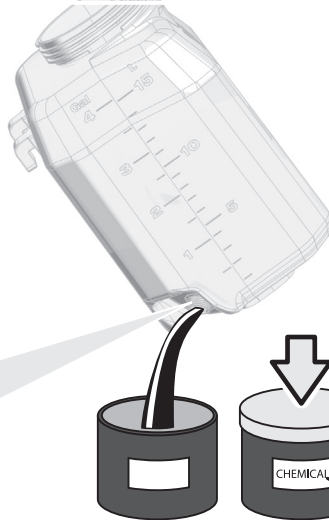


2

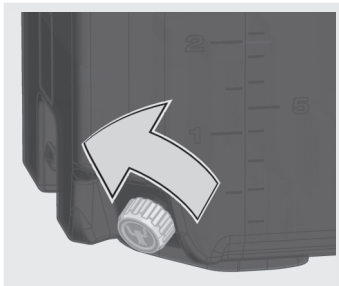
1



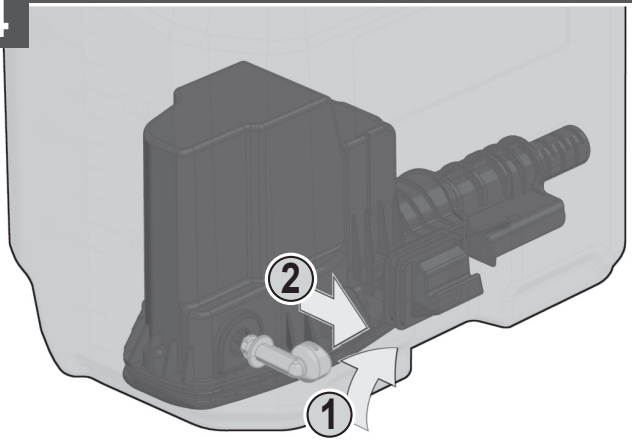
3



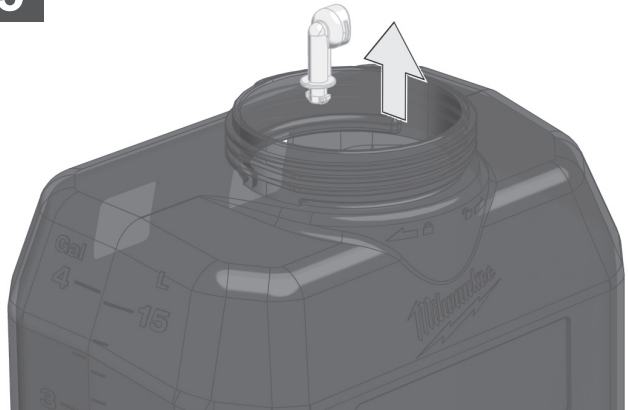
CHEMICAL



4



5

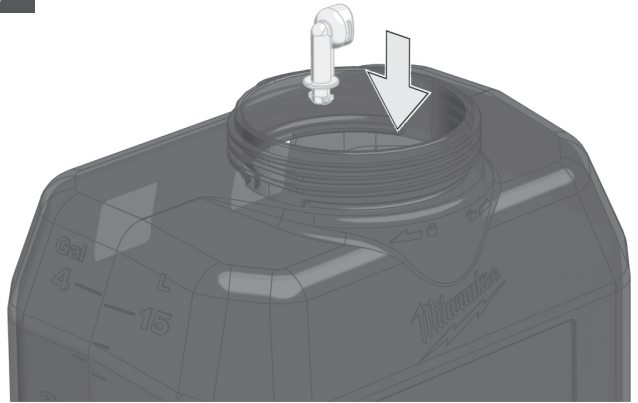


6

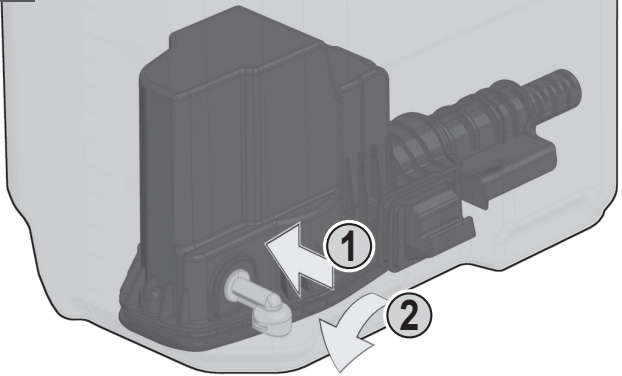
2



7



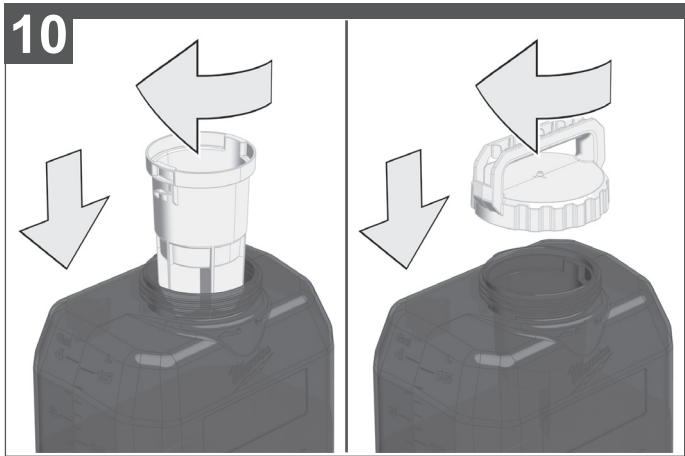
8



9

3





Clean filter (1), filter (2) and tank (3) after each use.
Filters are available as spare parts.
See www.milwaukeeetool.asia

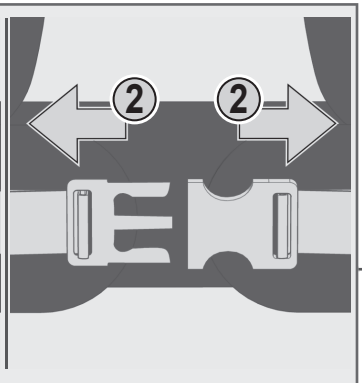
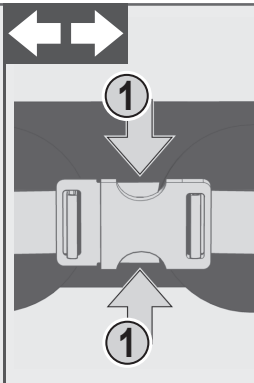
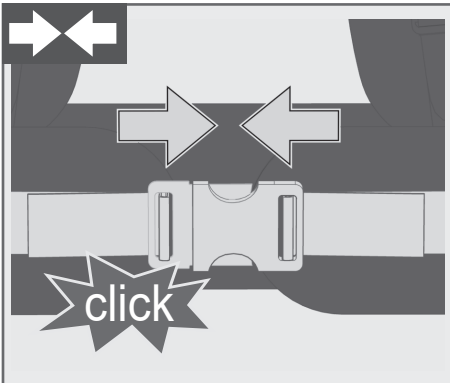
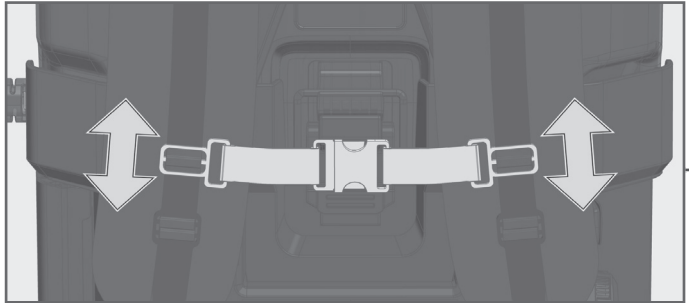
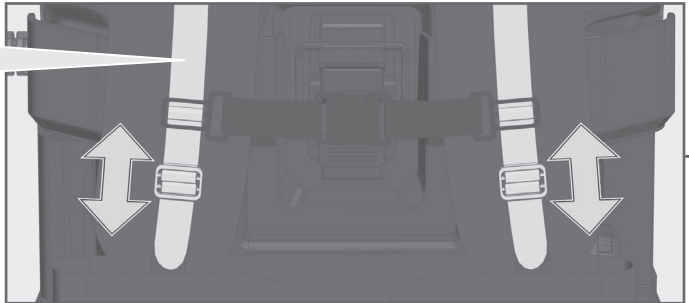
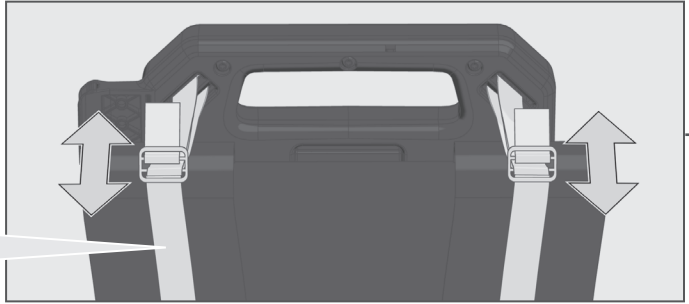
每次使用後都要清潔過濾器（1）、過濾器（2）和水箱（3）。
過濾器為備件。
見www.milwaukeeetool.asia

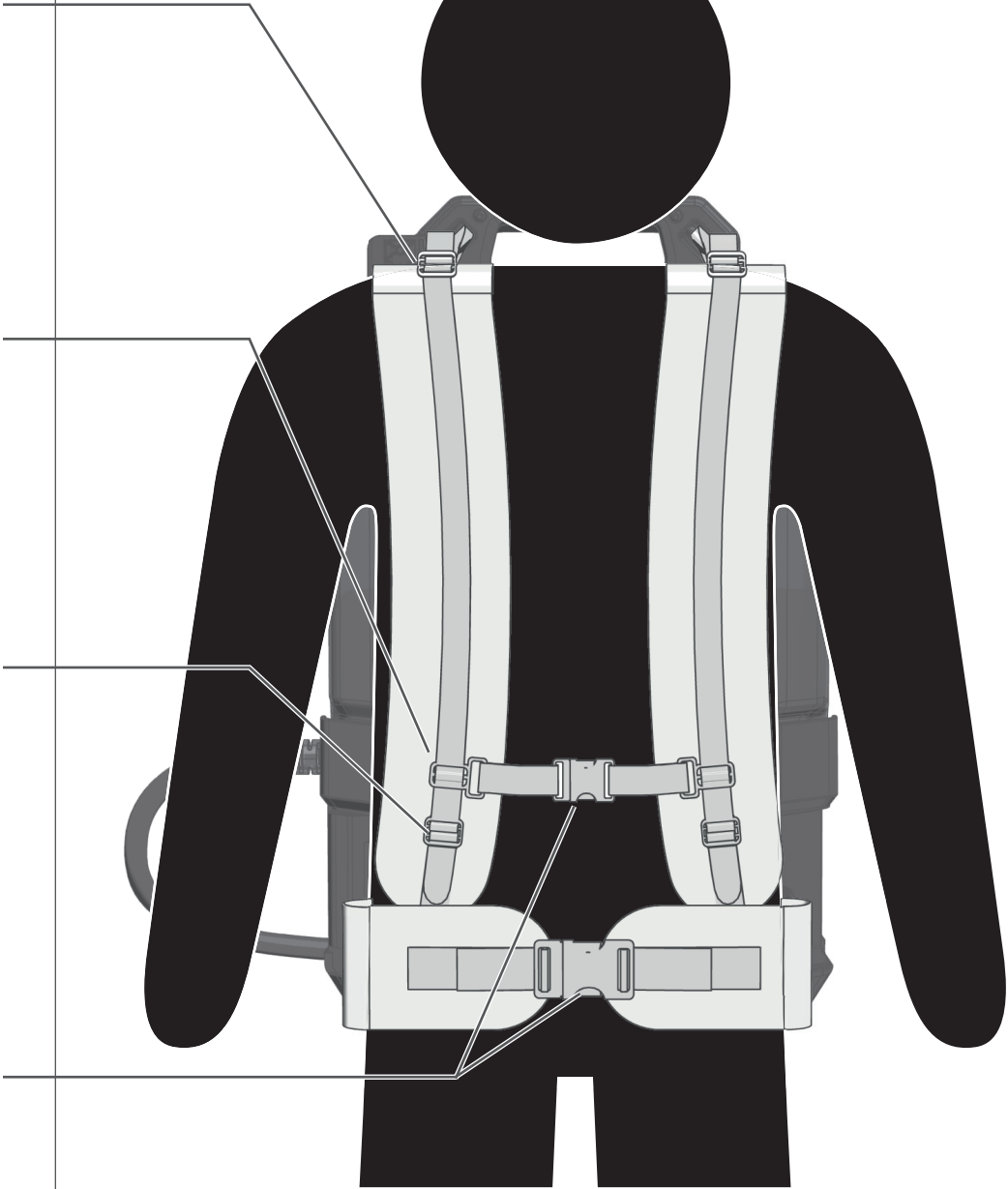
每次使用后都要清洁过滤器（1）、过滤器（2）和水箱（3）。
过滤器为备件。
见www.milwaukeeetool.asia

개별적으로 사용한 후 필터(1), 필터(2) 및 탱크(3)를 청소합니다.
필터는 예비 부품으로 제공됩니다.
www.milwaukeeetool.asia 참조

ทำความสะอาดไส้กรอง (1) ไส้กรอง (2) และถัง (3) หลังการใช้งานทุกครั้ง
มีไส้กรองอะไหล่วางจำหน่าย
ดูที่ www.milwaukeeetool.asia

Bersihkan filter (1), filter (2) dan tangki (3) setiap selesai digunakan.
Filter tersedia sebagai suku cadang.
Kunjungi www.milwaukeeetool.asia







Operation

작동

操作

การปฏิบัติงาน

操作

Pengoperasian



M18 BFPF-CST

FOR USE WITH:

- Herbicides
- Selective Herbicides
- Non-Selective Herbicides
- Fungicides
- Fertilizers



M18 BFPF-CCST

FOR USE WITH:

- Foam Blenders
- Curing Compounds
- Sealants



M18 BFPF-WST

FOR USE WITH:

- Water



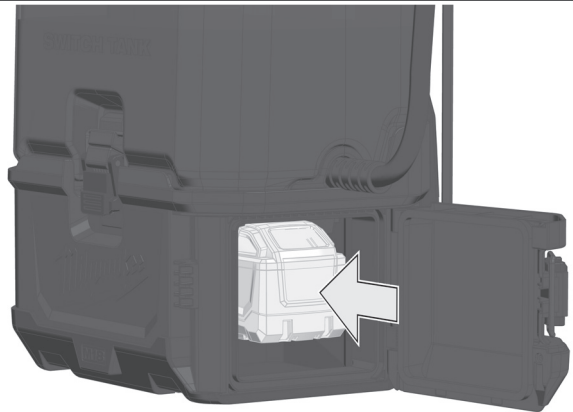
1



2

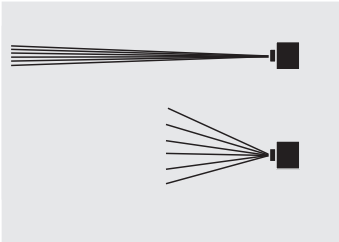
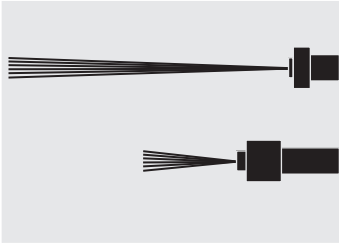


3

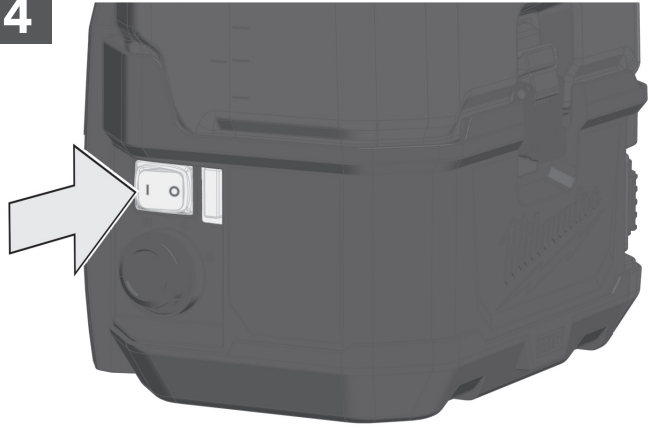




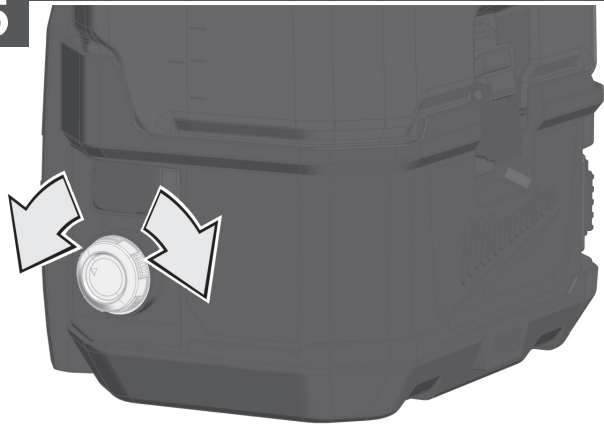
ON / I



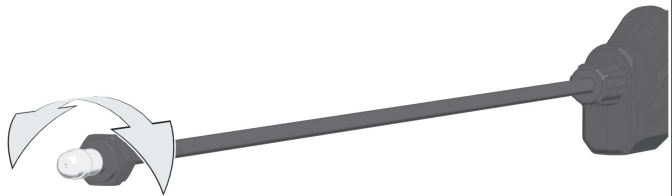
4

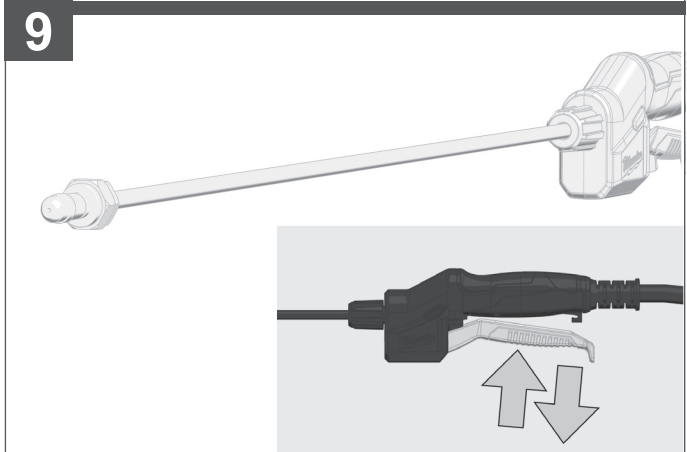
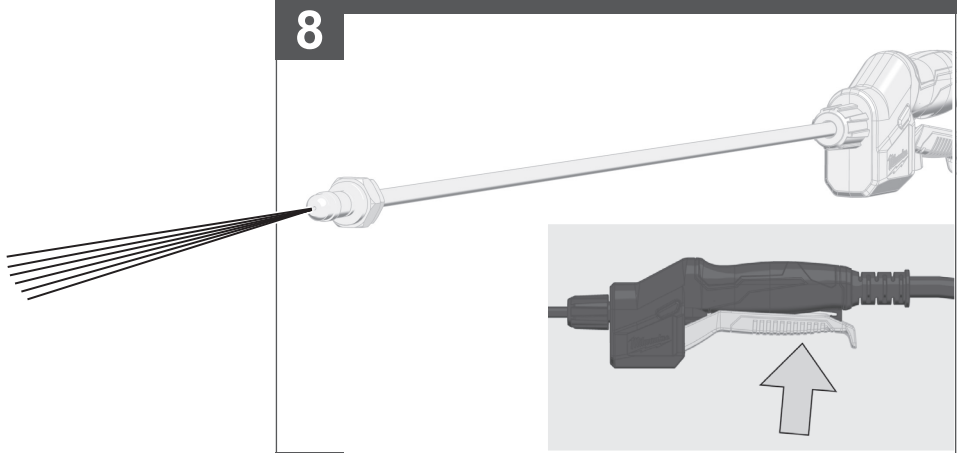
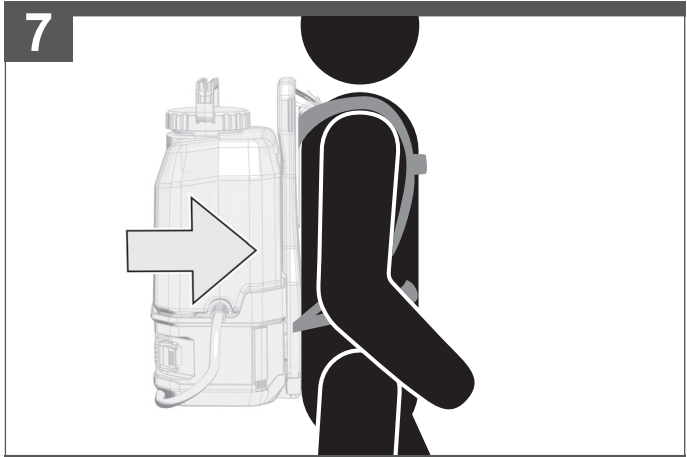


5

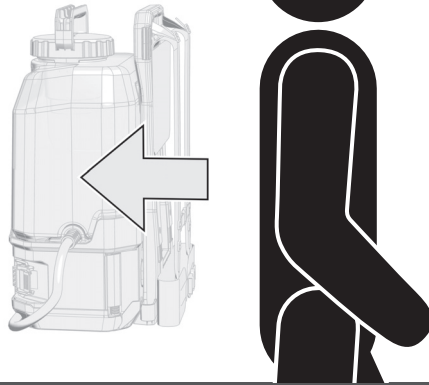


6

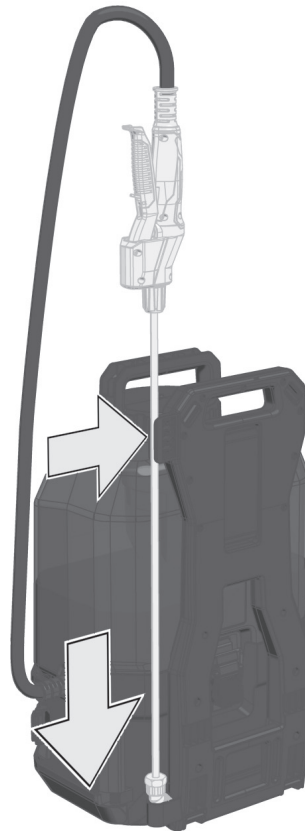




10



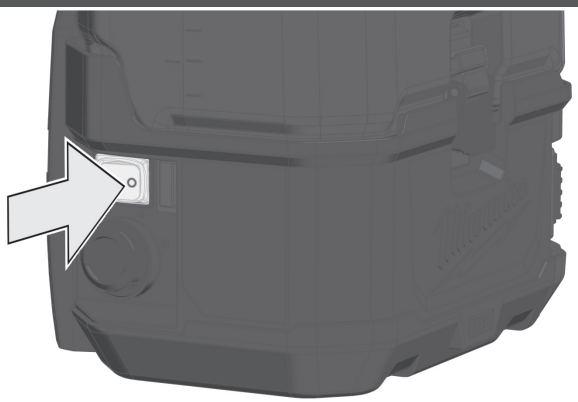
11



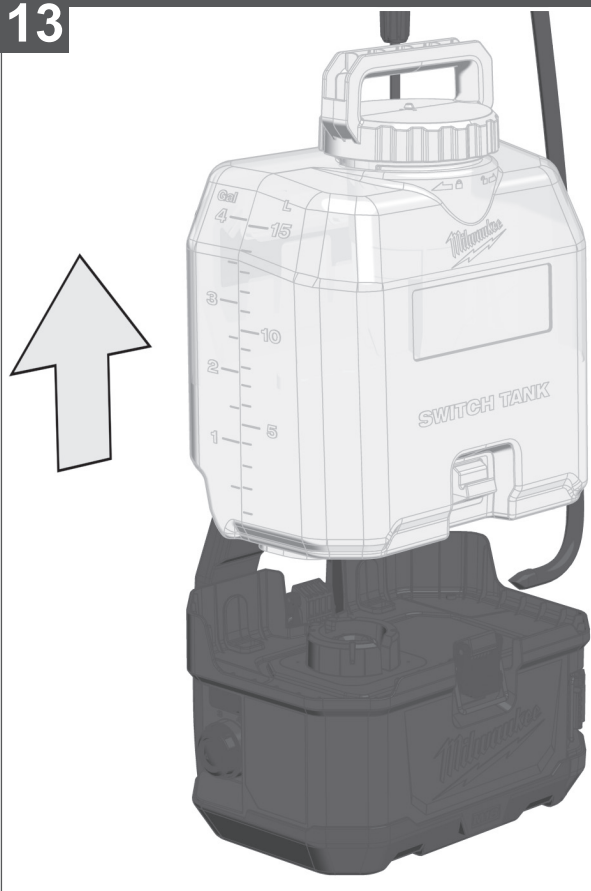


OFF / 0

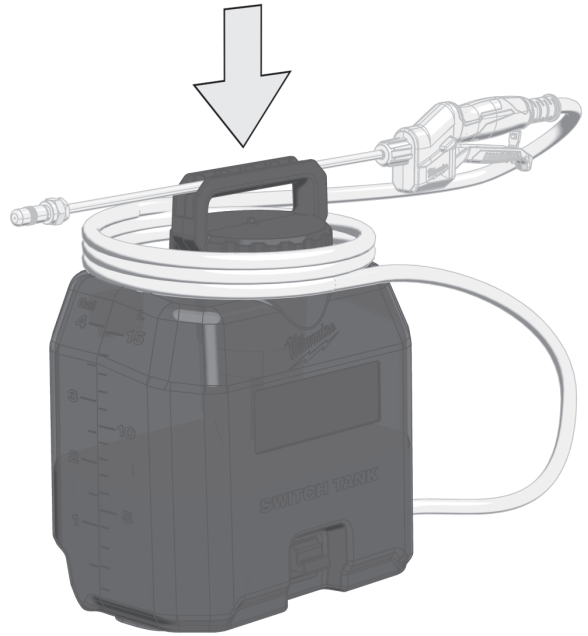
12



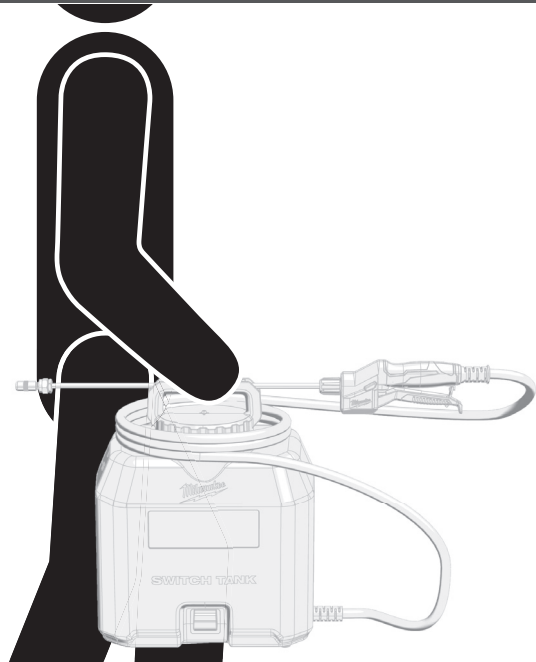
13



14

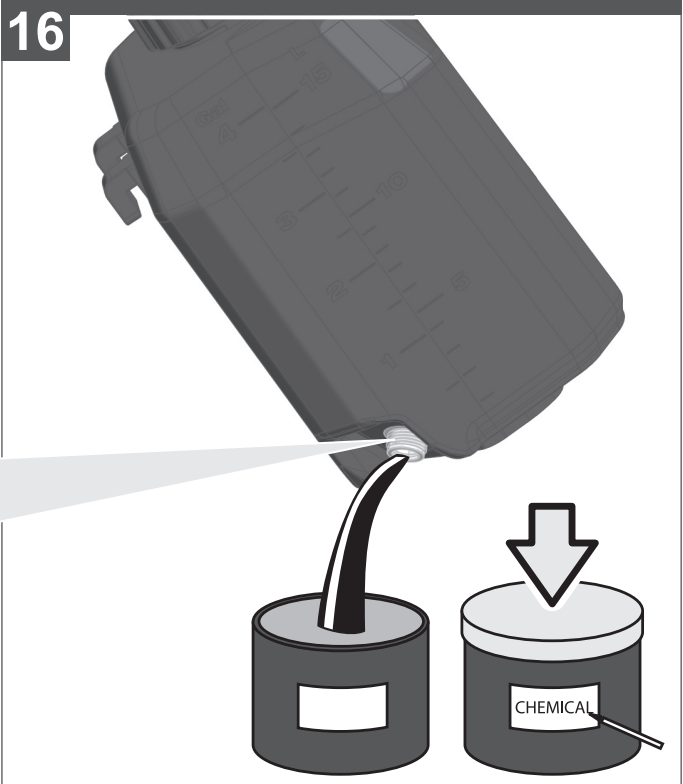
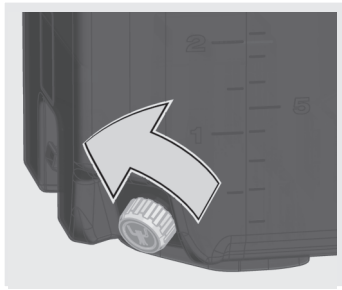


15

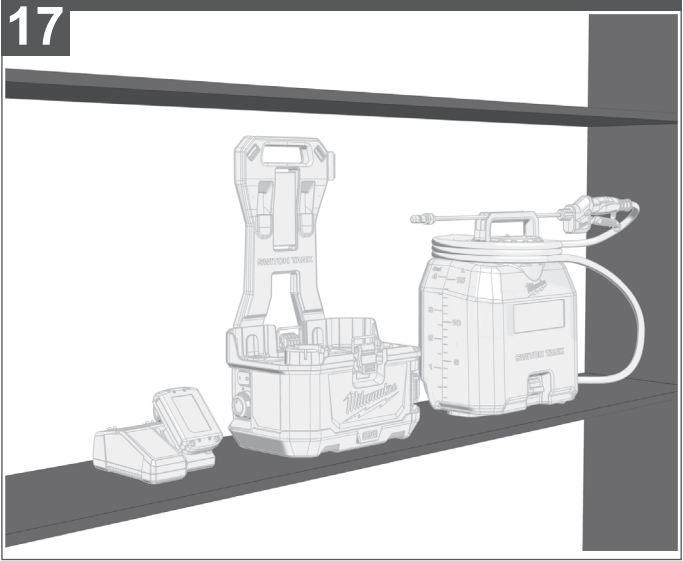




16



17



Transfer the residual liquid only to an original container or a designated container. National and local regulations must be observed.

僅將殘留液體轉移到原始容器或指定的容器中。必須遵守國家和地方法規。

仅将残留液体转移到原始容器或指定的容器中。必须遵守国家和地方法规。

잔류 액체는 원래 용기 또는 지정된 용기에만 옮깁니다. 국가 및 지역 규정을 준수해야 합니다.

ถ่ายของเหลวที่เหลือไปยังภาชนะบรรจุเดิมหรือภาชนะที่กำหนดเท่านั้น ควรปฏิบัติตามกฎระเบียบของท้องถิ่นและระดับประเทศ

Pindahkan cairan sisa hanya ke wadah aslinya atau wadah yang ditentukan. Peraturan nasional dan setempat harus dipatuhi.

Dry and store the cleaned components in a frost-free environment.

在無霜的環境中，晾乾並存放清潔後的組件。

在无霜的环境中，晾干并存放清洁后的组件。

성애가 끼지 않는 환경에서 세척한 구성품을 건조하고 보관하십시오.

เช็ดให้แห้งและเก็บชิ้นส่วนประกอบที่ทำความสะอาดแล้วในสภาพแวดล้อมที่ไม่มีน้ำแข็งเกาะ

Keringkan dan simpan komponen yang dibersihkan di lingkungan yang bebas es.

TECHNICAL DATA	M18 BPFPH	M18 BFPF-CST	M18 BFPF-CCST	M18 BFPF-WST
Tank capacity		15 L	15 L	15 L
Flow rate (see picture section on page 18)				
Spray distance		7.6 m	7.6 m	
Maximum working pressure		8.27 bar	8.27 bar	4.14 bar
Pressure inside the tank		827 kPa	827 kPa	414 kPa
Residual tank		250 mL	250 mL	250 mL
Mesh size filler filter		1.7 mm	1.7 mm	1.7 mm
Mesh size suction filter		0.12 / 0.2 mm	0.12 / 0.2 mm	0.12 / 0.2 mm
Engine speed (maximum)	2900 min ⁻¹			
Battery voltage	18 V			
Weight base unit	4.2 kg			
Empty weight (including the base unit, tank, and battery 4.0 Ah)		8.6 kg	8.6 kg	8.7 kg
Operation weight (including 15 L fluid at 20 °C)		23.6 kg	23.6 kg	23.7 kg
Recommended ambient operating temperature	-18 – +50 °C			
Recommended battery types	M18B, M18 HB			
Recommended charger	M12-18C, M12-18FC, M12-18AC, M12-18C3			

Noise information

Measured values determined according to EN 60745.

A-weighted sound pressure level	72 dB (A)	71 dB (A)	67 dB (A)
Uncertainty K	3 dB (A)	3 dB (A)	3 dB (A)
A-weighted sound power level	85 dB (A)	84 dB (A)	80 dB (A)
Uncertainty K	3 dB (A)	3 dB (A)	3 dB (A)

Wear ear protectors!

Vibration information

Total vibration values (vector sum in the three axes) determined according to EN 60745.

Vibration emission value $a_{r,w}$	2.8 m/s ²	1.4 m/s ²	1.3 m/s ²
Uncertainty K	1.5 m/s ²	1.5 m/s ²	1.5 m/s ²

* The flow rate depends on the spray medium used, the flow height, and environmental influences such as wind conditions.

WARNING!

The vibration emission level given in this information sheet has been measured in accordance with a standardised test given in EN 60745 and may be used to compare one product with another. It may be used for a preliminary assessment of exposure.

The declared vibration emission level represents the main applications of the product. However, if the product is used for different applications, with different accessories or poorly maintained, the vibration emission may differ. This may significantly increase the exposure level over the total working period.

An estimation of the level of exposure to vibration should also take into account the times when the product is turned off or when it is running but not actually doing the job. This may significantly reduce the exposure level over the total working period.

Identify additional safety measures to protect the operator from the effects of vibration such as: maintaining the product and the accessories, keeping the hands warm, and organising work patterns.

⚠ WARNING! Read the instructions carefully, be familiar with the controls and the proper use of the machine. Failure to follow all instructions listed below may result in electric shock, fire and/or serious injury.

Save all warnings and instructions for future reference.

⚠ BACKPACK SPRAYER SAFETY WARNINGS

Do not spray flammable liquids, such as gasoline, to reduce the risk of fire or explosion.

Always follow the chemical manufacturer's instructions printed on their product labeling for use, cleaning, and storage. Chemicals should be stored out of reach of children.

Do not spray any material where the hazard is not known.

To reduce exposure to spray materials, wear approved safety equipment, such as face mask designed for spraying, gloves, and other appropriate protective equipment.

Do not use flammable solvents or abrasive cleaning agents to clean the product.

Keep spray materials away from eyes. If spray materials come in contact with the eyes, wash them immediately with clean water. If irritation is still present, immediately seek medical help.

ADDITIONAL SAFETY AND WORKING INSTRUCTIONS

Be aware of any hazards presented by the spray materials. Before using any pesticide or other spray materials with the product, carefully read the label on the original container, study current safety data sheet of the medium, and follow the instructions.

Keep the area clear of all bystanders, children, and pets while spraying.

Ensure that the spray wand is securely connected to the spray wand handle before using the product. If necessary, use pliers to attach the spray wand to the spray wand handle.

Remember to properly replace and tighten the spray tank cover after pouring liquid into the spray tank.

Use only consumer-grade, water-based lawn and garden chemicals. Do not use commercial-grade chemicals or chemicals for commercial or industrial purposes.

Do not use caustic (alkali) self-heating or corrosive (acid) liquids with the product. These liquids can corrode metal parts or weaken the tank and hose.

Do not leave residue or spray material in the spray tank after using the product. Clean the product after each use.

Do not pour hot or boiling liquids into the spray tank. Hot liquids can weaken or damage the hose or spray tank.

Do not overfill the tank.

Always check for leaks, and correct them before using the product.

The spray area must be well-ventilated.

Always inspect both the inside and outside of the product before each use.

Liquids to be sprayed must be as thin as water. Thicker liquids do not spray properly.

Spray materials may be premixed and poured into the spray tank using a funnel, if necessary.

Do not spray where spark, flame, or other source of ignition is present. Do not spray in the direction of people or animals. Always spray downwind.

Do not smoke, eat, or drink while using the product.

Do not discharge directly against the skin.

Do not let the spray materials come in contact with the skin. If contact does occur, wash immediately with soap and plenty of water.

Aim the nozzle directly at the plants or objects that are intended to be sprayed. Ensure that the spray materials are directed at an area that will not be damaged by the spray materials.

Avoid spraying on windy days. The spray materials can be accidentally blown onto plants or objects that should not be sprayed.

The product may be operated with the spray wand handle resting in the cradle, or may be removed from the cradle and be held by the operator.

Electric shock hazard. Do not spray towards electrical outlets.

After every use, thoroughly wash your hands and any area where skin has been exposed to the spray.

Maintain the product. Thoroughly inspect both the inside and outside of the product, and examine the components before each use. Check for cracked and deteriorated hoses, leaks, clogged nozzles, and missing or damaged parts. If damaged, have the product repaired before use. Many accidents are caused by poorly maintained products.

Remove the battery pack from the product before draining, cleaning, or storing to avoid accidental starting.

Mix the chemicals strictly in accordance with the manufacturer's instructions. Incorrect mixtures may produce toxic fumes or explosive solutions.

Never allow children, persons with reduced physical, sensory or mental capabilities or lack of experience and knowledge, or people who are unfamiliar with these instructions to use the product. Local regulations may restrict the age of the operator.

Remove the battery pack before starting any work on the product.

Do not dispose of used battery packs in the household refuse or by burning them. MILWAUKEE distributors offer to retrieve old batteries to protect our environment.

Do not store the battery pack together with metal objects (short circuit risk).

Use only M18 System chargers for charging M18 System battery packs. Do not use battery packs from other systems.

Battery acid may leak from damaged batteries under extreme load or extreme temperatures. In case of contact with battery acid, wash it off immediately with soap and water. In case of eye contact, rinse thoroughly for at least 10 minutes and immediately seek medical attention.

ADDITIONAL BATTERY SAFETY WARNINGS

⚠ WARNING! To reduce the risk of fire, personal injury, and product damage due to a short circuit, never immerse your product, battery pack, or charger in fluid or allow fluid to flow inside them. Corrosive or conductive fluids, such as seawater, certain industrial chemicals, and bleach or bleach-containing products, etc., can cause a short circuit.

SPECIFIED CONDITIONS OF USE

The backpack sprayer is intended for outdoor use in a well-ventilated area.

M18 BFPF-WST

The sprayer is designed for spraying water and may also be

used to water plants.

M18 BFP-CST

The sprayer is designed for spraying consumer-grade home and garden chemicals:

- Pesticides
- Selective herbicides
- Non-Selective herbicides
- Insecticides
- Fungicides
- Fertilizers

The sprayer shall be used only with plant protection products approved by local or national regulatory authorities for plant protection products.

M18 BFP-CCST

The sprayer is designed for spraying concrete chemicals:

- Form release
- Curing compounds
- Sealants

The sprayer shall be used only with chemical products approved by local or national regulatory authorities for chemical products.

A Do not use the sprayer with flammable liquids.

Use only substances that are approved for use with portable sprayers.

The sprayer is not to be used by children or by persons not wearing adequate personal protective equipment and clothing. Do not use the product for any other purpose.

BATTERIES

Battery packs that have not been used for some time should be recharged before use.

Temperatures in excess of 50°C (122°F) reduce the performance of the battery pack. Avoid extended exposure to heat or sunshine (risk of overheating).

The contacts of chargers and battery packs must be kept clean.

For an optimum lifetime, the battery packs must be fully charged after use.

To obtain the longest possible battery life, remove the battery pack from the charger after it is fully charged.

For battery pack storage longer than 30 days:

- Store the battery pack where the temperature is below 27°C and away from moisture.
- Store the battery packs in a 30% – 50% charged condition.
- Every six months of storage, charge the pack as normal.

BATTERY PACK PROTECTION

In extremely high torque, binding, stalling, and short circuit situations that cause high current draw, the product vibrates for about 2 seconds and then the product turns off. To reset, release the trigger.

Excessive temperatures will cause the battery to stop powering the product. If the battery pack is too warm, allow it to cool down before resuming operation. If the product still does not work, recharge the battery.

TRANSPORTING LITHIUM BATTERIES

Lithium-ion batteries are subject to the Dangerous Goods Legislation requirements.

Transportation of those batteries must be done in accordance with local, national, and international provisions and regulations.

- Batteries can be transported by road without further requirements.
- Commercial transport of lithium-ion batteries by third parties is subject to Dangerous Goods regulations. Transport preparation and transport are exclusively to be carried out by appropriately trained persons, and the process must be accompanied by corresponding experts.

When transporting batteries:

- Ensure that battery contact terminals are protected and insulated to prevent short circuit.
- Ensure that the battery pack is secured against movement within packaging.
- Do not transport batteries that are cracked or leaking.

Check with the forwarding company for further advice.

TRANSPORTATION AND STORAGE

- Remove the battery pack.
- Ensure that all parts of the product are clean and dry.
- Clean all foreign materials from the product.
- Drain all spray materials from the spray tank before storage and transportation.
- After each use, check all parts of the product for leaks. Return the product to an authorised service centre for repair if needed.
- The spray wand can be stored in the cradle.
- For transportation, secure the product against movement or falling to prevent injury to persons or damage to the product.
- Store the product in a cool, dry, and well-ventilated place that is inaccessible to children. Keep the product away from corrosive agents, such as garden chemicals and de-icing salts. Do not store the product outdoors.

RESIDUAL RISKS

Even when the product is used as prescribed, it is still impossible to completely eliminate certain residual risk factors. The following hazards may arise and the operator should pay special attention to avoid the following:

- electric shock
 - Never spray liquid towards electrical sockets, cables, or appliances.
- contact with hazardous substances
 - Spray materials may be harmful if inhaled, ingested, or come in contact with skin or eyes. Follow the instructions carefully and wear appropriate protective equipment as prescribed.

TROUBLESHOOTING

Problem	Possible cause	Solution
Low pressure	Not enough battery charge	Charge the battery pack.
No pressure	Not enough battery charge	Charge the battery pack.
Leaky	Connections are not connected properly; porous gaskets	Retighten the connecting elements and replace the sealing elements.
Motor is not running	The battery is empty or defective.	Recharge or replace the battery pack.
No spray	Spray nozzles are blocked.	Clean the product with compressed air or a suitable solvent.

BLOCKED NOZZLES

1. Immediately turn off the sprayer. Ensure that the battery door is closed securely.
2. Wear protective clothing, such as gloves and eye protection.
3. Disassemble the nozzles and clean it with clear water.
4. Replace defective filters.

CLEANING THE TANK

1. Ensure that the battery door is closed securely.
2. Remove the tank from the base and set it on a level surface away from the base to prevent exposing the base to harsh chemicals.
3. Remove the tank cup and fill it up to about one-third full with clean water. A small amount of mild household detergent may be added. If needed, warm water (maximum of 50°C) can be used. Replace the cap, and gently slosh the water around the tank.
4. Install the tank, and spray the water until the tank is emptied. Make sure to direct the spray towards an area that will not be damaged by residue chemicals.
5. Repeat the procedure with clean water until the tank is thoroughly clean. Wash the outside of the nozzles, and wipe them dry with a cloth.
6. Wipe the outside of the tank with a clean, dry cloth.
7. Allow all pieces of the product to completely dry before reinstalling the parts and storing the unit. Always reinsert the strainer before replacing the tank cap.

MAINTENANCE

Servicing requires extreme care and knowledge, and should be performed only by a qualified service technician. Have the product serviced by an authorised service centre only. When servicing, use only original replacement parts.

Only make adjustments or repairs that are described in the manual. For other repairs, contact an authorised service centre.

Clean the product after each use.

Drain and empty the spray tank before cleaning.

Drain the spray materials through the fill area.

Drain all of the spray materials from the spray tank into a container approved for chemicals. Do not store chemicals in the spray tank.

Use clean water to clean and rinse the spray tank. A small amount of mild household detergent may be added.

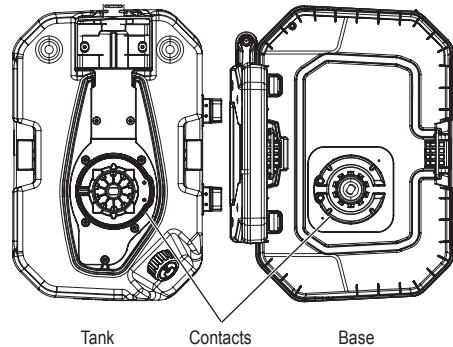
Wipe the product with a clean, dry cloth.

It may be necessary to rinse the spray tank more than once.

Cleaning electrical contacts

Keep electrical contact posts between the bottom of tank and base clean.

WARNING! Remove the battery pack from the product before cleaning electrical contacts. Clean the contacts only with a clean, dry cloth.



Disposal

Never dispose of residual chemicals or contaminated rinsing solutions in waterways, drains, sewers, street gutters, or manholes.

Dispose of residual chemicals and used containers in accordance with local waste disposal regulations.

ACCESSORIES

Use only MILWAUKEE accessories and spare parts. Should components that have not been described need to be replaced, contact one of our MILWAUKEE service agents (see our list of service addresses).

If needed, an exploded view of the product can be ordered. State the product type and the serial number on the label, and order the drawing at your local service centres.

SYMBOLS



CAUTION! WARNING! DANGER!



Read the instructions carefully before starting the product.



Remove the battery pack before starting any work on the product.



Do not dispose of electric tools, batteries/rechargeable batteries together with household waste material. Electric tools and batteries that have reached the end of their life must be collected separately and returned to an environmentally compatible recycling facility. Check with your local authority or retailer for recycling advice and collection point.



Always wear eye protection.



Wear ear protectors.



Wear a suitable protection mask.



Use protective clothing.



Wear gloves.



Wear sturdy non-slip shoes.



Do not expose the battery to rain. Do not use the battery in damp or wet locations.



Do not spray flammable liquids.



Class III electrical protection



Remove the battery pack. Keep electrical contacts clean.



Keep bystanders in a safe distance away from the work area.



Do not spray at people or animals.



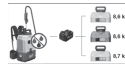
Do not spray at a wall.



Do not spray against the wind.



Do not point the nozzle upwards. Spray only downwards.



Empty weight (including base unit, tank, and battery)

V

Volts



Direct current

技術數據	M18 BPFPH	M18 BFPF- CST	M18 BFPF- CCST	M18 BFPF- WST
箱容量		15 L	15 L	15 L
流量 (請參閱第18頁的圖片部分)				
噴射距離		7.6 m	7.6 m	
最大工作壓力等級		8.27 bar	8.27 bar	4.14 bar
箱內壓力		827 kPa	827 kPa	414 kPa
殘箱		250 mL	250 mL	250 mL
篩網填料過濾器		1.7 mm	1.7 mm	1.7 mm
篩目吸濾器		0.12 / 0.2 mm	0.12 / 0.2 mm	0.12 / 0.2 mm
發動機轉速 (最大)	2900 min ⁻¹			
電池電壓	18 V			
重量基準單位	4.2 kg			
空的重量 (包括主機、箱和電池4.0 Ah)		8.6 kg	8.6 kg	8.7 kg
工作重量 (包括20° C時的15 L液體)		23.6 kg	23.6 kg	23.7 kg
建議環境操作溫度	-18 - +50 ° C			
推薦的電池類型	M18B, M18 HB			
推薦充電器	M12-18C, M12-18FC, M12-18AC, M12-18C3			
噪音資訊				
依 EN 60745. 所測的測量值。				
A加權聲壓量測		72 dB (A)	71 dB (A)	67 dB (A)
不確定性的測量 K		3 dB (A)	3 dB (A)	3 dB (A)
A加權聲壓率級		85 dB (A)	84 dB (A)	80 dB (A)
不確定性的測量 K		3 dB (A)	3 dB (A)	3 dB (A)
務必佩戴防護耳罩。				
振動資訊				
依EN 60745所測的振動總值 (三軸向量總和)。				
振動釋放值 _{a_{h,w}}		2.8 m/s ²	1.4 m/s ²	1.3 m/s ²
不確定性的測量 K		1.5 m/s ²	1.5 m/s ²	1.5 m/s ²

* 流量取決於所用的噴霧介質，流量高度和環境影響 (例如風況)。

警告!

本說明書所提供的振動等級是依EN60745規定的標準化測試所測得，且可能用於與另一個工具進行比較。該等級可用來初步評估風險。

宣告的振動釋放等級代表的是本工具的主要應用。然而，如果用於不同的應用、使用不同的配件或保養不當，振動釋放也可能不同。這可能會在總工作時間上顯著增加風險等級。

評估振動暴露的等級還應考慮本工具關機時的時間，或當工具運轉但卻未實際使用的時間。這可能會明顯降低總工作期間的風險等級。

請確認額外的安全措施，以保護操作員不受振動的影響，例如：保養本工具與配件、保持手部溫暖和井然有序的工作方式。

⚠ 警告！請閱讀本工具隨附的所有安全警告、說明、插圖及規格。若不按照說明操作，則可能會導致電擊、火災和/或嚴重傷害。

將所有警告和說明保存好，方便以後查閱。

⚠ 背包噴霧器安全警告

請勿噴灑易燃液體，例如汽油，以減少著火或爆炸的危險。在使用、清潔和存放時，請務必遵循其產品標籤上印刷的化學品製造商的說明。化學藥品應存放在兒童接觸不到的地方。

切勿在未知危險的地方噴塗任何材料。

為了減少暴露在噴塗材料中，請佩戴經過批准的安全設備，例如，專為噴塗設計的面罩，手套和其他適當的防護設備。

請勿使用易燃溶劑或研磨性清潔劑清潔產品。

使噴霧材料遠離眼睛。如果噴霧劑接觸到眼睛，請立即用清水沖洗。如果仍然有刺激感，請立即尋求醫療幫助。

其他安全和工作說明

請注意噴塗材料可能造成各種危險。在產品上使用任何農藥或其他噴霧材料之前，請仔細閱讀原包裝上的標籤，研究介質的當前安全數據表，並遵循說明進行操作。

噴塗時，使該區域遠離所有旁觀者、兒童和寵物。

在使用產品之前，請確保將噴霧棒牢固地連接到噴霧棒的把手上。如有必要，請使用鉗子將噴霧棒固定在噴霧棒把手上。

將液體倒入噴霧罐後，切記正確更換並擰緊噴霧罐蓋。

僅使用消費級的水性草坪和園林化學品。請勿使用商業級化學品或用於商業或工業目的的化學品。

請勿在產品上使用腐蝕性（鹼性）自然或腐蝕性（酸性）液體。這些液體會腐蝕金屬零件或削弱油箱和軟管。

使用本產品後，請勿在噴漆罐中留下殘留物或噴漆材料。每次使用後都要清潔產品。

請勿將熱或沸騰的液體倒入噴霧罐中。灼熱的液體可能會削弱或損壞軟管或噴霧箱。

切勿為水箱加過多水。

使用產品前，請務必檢查是否有洩漏，並進行修正。

噴霧區域必須通風良好。

每次使用前，請務必檢查產品的內部和外部。

待噴灑的液體必須與水一樣稀薄。較濃的液體不能正確噴射。

如有必要，可將噴霧材料進行預混合，然後使用漏斗將其倒入噴霧罐中。

請勿在有火花、火焰或其他火源噴霧。請勿向人或動物的方向噴霧。務必向順風方向噴霧。

使用本產品時請勿吸煙、進食或喝水。

不要直接在皮膚上排出噴霧。

不要讓噴塗材料與皮膚接觸。如果確實發生接觸，請立即用肥皂和大量水清洗。

將噴嘴直接對準要噴塗的植物或物體。確保將噴塗材料對準而不會被噴塗材料損壞的區域。

避免在大風天噴塗。噴霧材料可能會意外地吹到不應噴霧的植物或物體上。

該產品可以在噴霧棒手柄放在支架中的狀態下操作，也可以從支架中取出並由操作員握持。

觸電危險。

不要噴向電源插座。每次使用後，請徹底清洗您的手以及任何皮膚接觸噴霧的地方。

維修產品。

徹底檢查產品的內部和外部，並在每次使用前檢查組件。檢查

軟管是否破裂、變質、洩漏，噴嘴堵塞以及零件缺失或損壞。如果損壞，請在使用前修理產品。許多事故是由產品維護不當造成的。

在排放、清潔或存放電池之前，請從產品中取出電池組，以免意外啟動。

嚴格按照製造商的說明混合化學品。不正確的混合物可能會產生有毒煙霧或爆炸性溶液。

不要讓兒童、身體、感覺或精神力下降的人員或缺乏經驗及知識的人，或不熟悉這些指示的人使用機器。當地法規可能會限制操作員的年齡。

在產品上開始任何工作之前，請先取出電池組。

用過的電池組不可以丟入一般的家庭垃圾中或丟入火中。MILWAUKEE經銷商提供舊電池回收，以保護我們的環境。

勿將電池組與其他金屬物品一起存放（可能引起短路）。

僅可使用M18系統充電器對M18系統電池進行充電。請勿使用其他系統的電池。

在極端負載或極端溫度下，損壞的電池可能漏出內部酸液。若碰觸到電池酸液，請即刻用肥皂與清水洗去。若酸液接觸到眼睛，以清水沖洗至少10分鐘後立即就醫。

附加電池安全警告

⚠ 警告！為了減少因短路而導致火災、人身傷害和產品損壞的風險，請勿將工具、電池組或充電器浸沒在液體中或使液體流入其中。腐蝕性或導電性液體（如海水、某些工業化學品、以及漂白劑或含漂白劑的產品等）都會導致短路。

特定使用條件

背包噴霧器適合在通風良好的室外使用。

M18 BFPF-WST

噴霧器設計用於噴水，也可用於給植物澆水。

M18 BFPF-CST

噴塗機設計用於噴塗消費級家庭和園林化學品：

- 農藥類
- 選擇性除草劑
- 非選擇性除草劑
- 殺蟲劑
- 殺真菌劑
- 肥料

噴霧器只能與當地或國家監管機構批准的植物保護產品一起使用。

M18 BFPF-CCST

噴塗機設計用於噴塗混凝土化學品：

- 脫膜劑
- 固化劑
- 密封膠

噴塗機只能與當地或國家監管機構批准的化學產品一起使用。

⚠ 請勿將噴霧器與易燃液體一起使用。

僅使用經批准可用於便攜式噴霧器的物質。

請勿讓兒童或未穿著適當個人防護設備和衣物的人使用噴霧器。

切勿將本產品用於正常使用之外的其他用途。

電池

久未使用的電池必須重新充電後再使用。

超過50°C (122°F) 的高溫會降低電池的效能。避免暴露於高溫或陽光下(可能導致過熱)。

充電器和電池組的接點處應保持清潔。

為確保最佳電池使用壽命，電池組使用後應再完全充電。

為確保電池的最長壽命，充電完成後，勿將電池匣繼續留在充電器上。

電池儲存時間長於30日：

- 將電池組存放於溫度低於27°C的環境，且避免受潮；
- 將電池組保持在充電量30%-50%的狀態
- 存放中的電池組應每六個月照常充電一次。

電池保護

在極高的扭矩、約束、失速和短路情況下，導致大電流消耗，產品將停止約2秒鐘，然後產品將關閉。如要重置，鬆開扳機。

在極端情況下，電池組內部的溫度可能過高。如果發生這種情況，電池不會提供電力。將電池放在充電器上，以充電和重置。

運輸鋰電池

鋰電池須受制於危險品法例的要求。

運送鋰電池必須在符合當地、國家及國際標準及法例的情況下進行。

- 使用者可於陸地上運送電池而毋須受限；
- 第三方負責的商業式鋰電池運送須受制於危險品法例。運送的預備及過程必須由受嚴格訓練的人士進行，亦必須得到專家在場監管。

運送電池時：

- 請確保電池接觸終端受到嚴密保護及經過絕緣，防止短路；
- 請確保電池組妥善包裝，防止碰撞磨擦；
- 切勿運送有裂痕或洩漏中的電池。

與運送公司緊密聯繫以獲得進一步資訊。

運輸與存放

- 拆下電池。
- 確保產品的所有部件清潔乾燥。
- 清潔本產品上的所有異物。
- 在儲存和運輸之前，請排空噴霧罐中的所有噴霧材料。
- 每次使用後，請檢查產品的所有部分是否洩漏。如果需要，將產品退回授權的服務中心進行維修。
- 噴霧棒可以存放在腳手架。
- 運輸時，請確保產品不會移動或跌落，以免造成人身傷害或產品損壞。
- 產品應存放在陰涼乾燥、通風良好而且兒童不可進入的地方。使產品遠離腐蝕性試劑，例如園林化學品和除冰鹽。請勿在室外存放產品。

殘餘風險

即便已按規定使用產品，仍然不可能完全消除某些殘留的風險因素。可能會引起以下危險，操作人員應特別注意以避免發生以下情況：

- 電擊
 - 切勿向插座，電纜或設備噴射液體。
- 接觸有害物質
 - 吸入、攝入或與皮膚或眼睛接觸，噴霧材料可能有害。小心地遵循說明並按照規定穿戴適當的防護設備。

故障排除

問題	可能原因	解決方案
低壓	電池電量不足	為電池充電。
無壓力	電池電量不足	為電池充電。
漏水	未正確連接；多孔墊片	重新擰緊連接元件，並更換密封元件。
電機未運轉	電池沒電或有故障。	為電池重新充電或更換電池。
不噴霧	噴嘴堵塞。	用壓縮空氣或適當的溶劑清潔產品。

噴嘴堵塞

1. 立即關閉噴塗機。確保電池蓋已牢固關閉。
2. 穿戴防護服，例如手套和護目鏡。
3. 拆卸噴嘴，並用清水清洗。
4. 更換有故障的過濾器。

清洗水箱

1. 確保電池蓋已牢固關閉。
2. 從底座上卸下水箱，並將其放在遠離底座的水平表面上，以防止底座暴露於刺激性化學物質。
3. 取下水箱杯，並用乾淨水注滿約三分之一。可以添加少量的溫和家用洗滌劑。如果需要，可以使用溫水（最高50°C）。蓋上蓋子，並輕輕晃動水箱周圍的水。
4. 安裝水箱，並噴水直至水箱排空。確保將噴霧噴向不會被殘留化學藥品損壞的區域。
5. 用清水重複該步驟，直到水箱徹底清潔。清洗噴嘴的外部，然後用布擦乾。
6. 用乾淨的乾布擦拭水箱的外部。
7. 在重新安裝部件並存放設備之前，請讓產品的所有部件完全乾燥。更換水箱蓋之前，請務必重新插入過濾器。

維護

維修需要極其謹慎和知識，應僅由合格的維修技術人員執行。只能由授權的服務中心維修產品。維修時，只能使用原裝備件。

僅進行手冊中所述的調整或維修。關於其他維修，請聯繫授權的服務中心。

每次使用後都要清潔產品。

清潔前，排出並排空噴霧箱。

通過填充區域排出噴塗材料。

將所有噴霧材料從噴霧箱排入一個允許使用的化學物容器中。請勿將化學藥品存放在噴霧罐中。

用清水清潔，並沖洗噴霧箱。可以添加少量的溫和家用洗滌劑。

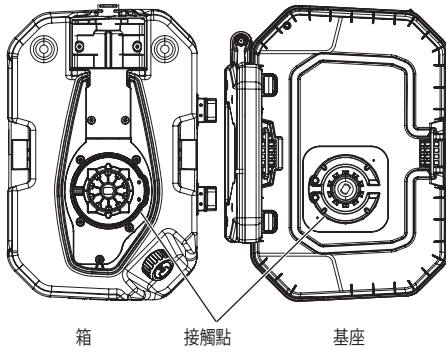
用乾淨的乾布擦拭產品。

可能需要多次沖洗噴霧箱。

清潔電觸點

保持水箱底部和底座之間的電氣接觸點清潔。

警告！清潔電氣觸點之前，請從產品中取出電池組。僅用乾淨的乾布清潔接觸點。



箱 接觸點 基座

廢物處理

切勿在水路、排水道、下水道，排水溝或檢修孔中處理殘留的化學藥品或污染的沖洗溶液。

根據當地廢物處置法規處置殘留的化學物質和用過的容器。

配件

只能使用MILWAUKEE配件和備件。如果需要更換的組件在此沒有介紹，請與其中一個MILWAUKEE服務代理機構聯繫（參見我們的維修/服務地址列表）。

如果需要，可以訂購產品的分解圖。諮詢索件時，請您向當地的顧客服務中心提供以下資料：銘牌上的產品及機型。

符號



注意！警告！危險！



啟動產品前，請仔細閱讀本說明。



在產品上開始任何工作之前，請先取出電池組。



勿將用過的電動工具、電池/充電電池與家庭廢棄物混合。
當電動工具和電池達到使用壽命時，必須單獨收集，並送至環保回收機構。
請與當地相關部門或經銷商聯繫，了解回收建議和收集地點。
務必佩戴護目鏡。



佩戴護耳器。



戴上適當的防塵罩。



使用防護裝備。



佩戴手套。



穿結實的防滑鞋。



請勿將電池組暴露在雨中或潮濕的環境中。
請勿在潮濕的空間使用電池組。



請勿噴灑易燃液體。



第III類電子保護



拆下電池。保持電氣觸點清潔。



將旁觀者與工作區保持安全距離。



請勿向人或動物噴灑。



不要噴塗在牆上。



不要逆風噴霧。



請勿將噴嘴指向上方。僅向下噴灑。



空重（包括主機，水箱和電池）

V

伏特



直流電

技术数据	M18 BPFPH	M18 BFPF- CST	M18 BFPF- CCST	M18 BFPF- WST
箱容量		15 L	15 L	15 L
流量 (请参阅第18页的图片部分)				
喷射距离		7.6 m	7.6 m	
最大工作压力等级		8.27 bar	8.27 bar	4.14 bar
箱内压力		827 kPa	827 kPa	414 kPa
残箱		250 mL	250 mL	250 mL
筛网填料过滤器		1.7 mm	1.7 mm	1.7 mm
筛目吸滤器		0.12 / 0.2 mm	0.12 / 0.2 mm	0.12 / 0.2 mm
发动机转速 (最大)	2900 min ⁻¹			
电池电压	18 V			
重量基准单位	4.2 kg			
空的重量 (包括主机、箱和电池4.0 Ah)		8.6 kg	8.6 kg	8.7 kg
工作重量 (包括20° C时的15 L液体)		23.6 kg	23.6 kg	23.7 kg
建议环境操作温度	-18 - +50 ° C			
推荐的电池类型	M18B, M18 HB			
推荐充电器	M12-18C, M12-18FC, M12-18AC, M12-18C3			
噪音信息				
根据 EN 60745 条文确定的测量值。				
A-值音压值		72 dB (A)	71 dB (A)	67 dB (A)
不确定性的测量 K		3 dB (A)	3 dB (A)	3 dB (A)
A-值音量值		85 dB (A)	84 dB (A)	80 dB (A)
不确定性的测量 K		3 dB (A)	3 dB (A)	3 dB (A)
务必佩戴防护耳罩。				
振荡信息				
依欧盟EN 60745 标准确定的振动总值 (三方向矢量和)。				
振动值 $a_{h,w}$		2.8 m/s ²	1.4 m/s ²	1.3 m/s ²
不确定性的测量 K		1.5 m/s ²	1.5 m/s ²	1.5 m/s ²

* 流量取决于所用的喷雾介质，流量高度和环境影响 (例如风况)。

警告!

本规程列出的依欧盟EN60745标准测量方法测量的振荡级也可用于电动工具比较并适合于临时振荡负荷估计。该等级可用来初步评估风险。

该振荡级代表电动工具的主要应用。电动工具的其他应用，不正确的工具附件或缺乏维护可造成振荡级偏差。此可明显提高工作期间的振荡程度。

正确地估计一定工作期间的振荡程度也要考虑到工具关闭或接通而不使用的期间。此可明确减少总工作期间的振荡程度。

为提高操作人员对振荡作用的保护得规定补充安全措施：电动工具及工具附件的维护、温手、工作过程组织等。

⚠ 警告！ 阅读本设备随附的所有安全警告、说明、插图和规格。不遵照以下说明会导致电击、着火和/或严重伤害。
保存所有警告和说明书以备查阅。

⚠ 背包喷雾器安全警告

请勿喷雾易燃液体，例如汽油，以减少着火或爆炸的危险。
在使用、清洁和存放时，请务必遵循其产品标签上印刷的化学产品制造商的说明。化学药品应存放在儿童接触不到的地方。
切勿在未知危险的地方喷涂任何材料。
为了减少暴露在喷涂材料中，请佩戴经过批准的安全设备，例如，专为喷涂设计的面罩，手套和其他适当的防护设备。
请勿使用易燃溶剂或研磨性清洁剂清洁产品。
使喷雾材料远离眼睛。如果喷雾剂接触到眼睛，请立即用清水冲洗。如果仍然有刺激感，请立即寻求医疗帮助。

其他安全和工作说明

请注意喷涂材料可能造成各种危险。在产品上使用任何农药或其他喷雾材料之前，请仔细阅读原包装上的标签，研究介质的当前安全数据表，并遵循说明进行操作。
喷涂时，使该区域远离所有旁观者、儿童和宠物。
在使用产品之前，请确保将喷雾棒牢固地连接到喷雾棒的把手上。如有必要，请使用钳子将喷雾棒固定在喷雾棒把手上。
将液体倒入喷雾罐后，切记正确更换并拧紧喷雾罐盖。
仅使用消费级的水性草坪和园林化学品。请勿使用商业级化学品或用于商业或工业目的的化学品。
请勿在产品上使用腐蚀性（碱性）自热或腐蚀性（酸性）液体。这些液体会腐蚀金属零件或削弱油箱和软管。
使用本产品后，请勿在喷漆罐中留下残留物或喷漆材料。每次使用后都要清洁产品。
请勿将热或沸腾的液体倒入喷雾罐中。灼热的液体可能会削弱或损坏软管或喷雾箱。
切勿为水箱加过多水。
使用产品前，请务必检查是否有泄漏，并进行修正。
喷雾区域必须通风良好。
每次使用前，请务必检查产品的内部和外部。
待喷洒的液体必须与水一样稀薄。较浓的液体不能正确喷射。
如有必要，可将喷雾材料进行预混合，然后使用漏斗将其倒入喷雾罐中。
请勿在有火花、火焰或其他火源喷雾。请勿向人或动物的方向喷雾。务必向顺风方向喷雾。
使用本产品时请勿吸烟、进食或喝水。
不要直接在皮肤上排出喷雾。
不要让喷涂材料与皮肤接触。如果确实发生接触，请立即用肥皂和大量水清洗。
将喷嘴直接对准要喷涂的植物或物体。确保将喷涂材料对准而不会被喷涂材料损坏的区域。
避免在大风天喷涂。喷雾材料可能会意外地吹到不应喷雾的植物或物体上。
该产品可以在喷雾棒手柄放在支架中的状态下操作，也可以从支架中取出并由操作员握持。
触电危险。不要喷向电源插座。
每次使用后，请彻底清洗您的手以及任何皮肤接触喷雾的地方。
维修产品。彻底检查产品的内部和外部，并在每次使用前检查组件。检查软管是否破裂、变质、泄漏，喷嘴堵塞以及零件缺失或损坏。如果损坏，请在使用前修理产品。许多事故是由产

品维护不当造成的。

在排放、清洁或存放电池之前，请从产品中取出电池组，以免意外启动。

严格按照制造商的说明混合化学品。不正确的混合物可能会产生有毒烟雾或爆炸性溶液。

不要让儿童、身体、感觉或精神能力下降的人员或缺乏经验及知识的人，或不熟悉这些指示的人使用机器。当地法规可能会限制操作员的年龄。

在产品上开始任何工作之前，请先取出电池组。

用过的电池组不可以丢入火中或一般的家庭垃圾中。美沃奇经销商提供旧电池回收，以保护我们的环境。

电池组不可以和金属物体存放在一起（可能产生短路）。

M18系列的电池组只能和M18系列的充电器配合使用。不可以使用其他系列的电池。

在过度超荷或极端的温度下，可能从损坏的电池组中流出液体。如果触摸了此液体，必须马上使用肥皂和大量清水冲洗。如果此类流体侵入眼睛，马上用清水彻底清洗眼睛（至少冲洗10分钟），接着即刻就医治疗。

附加电池安全警告

⚠ 警告！ 为了减少因短路而导致火灾、人身伤害和产品损坏的风险，请勿将工具、电池组或充电器浸没在流体中或使流体流入其中腐蚀性或导电性流体（如海水、某些工业化学品、以及漂白剂或含漂白剂的产品等）都会导致短路。

特定使用条件

背包喷雾器适合在通风良好的室外使用。

M18 BPPF-WST

喷雾器设计用于喷水，也可用于给植物浇水。

M18 BPPF-CST

喷涂机设计用于喷涂消费级家庭和园林化学品：

- 农药类
- 选择性除草剂
- 非选择性除草剂
- 杀虫剂
- 杀真菌剂
- 肥料

喷雾器只能与当地或国家监管机构批准的植物保护产品一起使用。

M18 BPPF-CCST

喷涂机设计用于喷涂混凝土化学品：

- 脱膜剂
- 固化剂
- 密封胶

喷涂机只能与当地或国家监管机构批准的化学产品一起使用。

⚠ 请勿将喷雾器与易燃液体一起使用。

仅使用经批准可用于便携式喷雾器的物质。

请勿让儿童或未穿着适当个人防护设备和衣物的人使用喷雾器。

切勿将本产品用于正常使用之外的其他用途。

电池

长期储放的电池必须先充电再使用。

超过50°C (122°F) 的高温会降低电池组的效能。避免暴露于

高温或阳光下(可能导致过热)。

充电器和电池组的接点处应保持清洁。

为获得最长寿命,使用后应把电池充满电。

为确保最长使用寿命,充电后应把电池从充电器取出。

电池储存时间长于30日:

- 在环境温度27°C左右干燥处储存电池;
- 在百分之30至50充电状态储存电池;
- 每6个月重新充电。

电池超载保护

在极高的扭矩,约束,失速和短路情况下,导致大电流消耗,产品将停止约2秒钟,然后产品将关闭。如要重置,松开扳机。

在极端情况下,电池组内部的温度可能过高。如果发生这种情况,电池不会提供电力。将电池放在充电器上,以充电和重置。

锂电池的运输

锂电池属于危险货品并受制于危险货品运输条例。

此电池的运输必须遵守地方、国家和国际法律规定。

- 用户在公路上运输此电池组不必遵守特殊规定。
- 锂电池的商业性运输受制于危险货品运输条例的规定。运输准备和运输必须由受过合适培训人员进行。全部过程必须由合格专业人员监督。

运输电池时必须注意到下列事项:

- 为避免短路,必须确保电池接点的保护和绝缘;
- 确保包装中的电池包不会滑动;
- 严禁运输损坏或泄漏电池。

进一步建议请联系运输商。

运输与存放

- 拆下电池。
- 确保产品的所有部件清洁干燥。
- 清洁本产品上的所有异物。
- 在储存和运输之前,请排空喷雾罐中的所有喷雾材料。
- 每次使用后,请检查产品的所有部分是否泄漏。如果需要,将产品退回授权的服务中心进行维修。
- 喷雾棒可以存放在脚手架。
- 运输时,请确保产品不会移动或跌落,以免造成人身伤害或产品损坏。
- 将产品存放在阴凉干燥,通风良好的地方,而且儿童无法接近。使产品远离腐蚀性试剂,例如园林化学用品和除冰盐。请勿在室外存放产品。

剩余风险

即使产品按规定使用,依然无法完全消除某些剩余风险因素。可能会引起以下危险,操作人员应特别注意以避免发生以下情况:

- 电击
 - 切勿向插座,电缆或设备喷射液体。
- 接触有害物质
 - 吸入、摄入或与皮肤或眼睛接触,喷雾材料可能有害。小心地遵循说明并按照规定穿戴适当的防护设备。

故障排除

问题	可能原因	解决方案
低压	电池电量不足	为电池充电。
无压力	电池电量不足	为电池充电。
漏水	未正确连接; 多孔垫片	重新拧紧连接元件,并更换密封元件。
电机未运转	电池没电或有故障。	为电池重新充电或更换电池。
不喷雾	喷嘴堵塞。	用压缩空气或适当的溶剂清洁产品。

喷嘴堵塞

1. 立即关闭喷涂机。确保电池盖已牢固关闭。
2. 穿戴防护服,例如手套和护目镜。
3. 拆卸喷嘴,并用清水清洗。
4. 更换有故障的过滤器。

清洗水箱

1. 确保电池盖已牢固关闭。
2. 从底座上卸下水箱,并将其放在远离底座的水平表面上,以防止底座暴露于刺激性化学物质。
3. 取下水箱杯,并用干净水注满约三分之一。可以添加少量的温和家用洗涤剂。如果需要,可以使用温水(最高50°C)。盖上盖子,并轻轻晃动水箱周围的水。
4. 安装水箱,并喷水直至水箱排空。确保将喷雾喷向不会被残留化学药品损坏的区域。
5. 用清水重复该步骤,直到水箱彻底清洁。清洗喷嘴的外部,然后用布擦干。
6. 用干净的干布擦拭水箱的外部。
7. 在重新安装部件并存放设备之前,请让产品的所有部件完全干燥。更换水箱盖之前,请务必重新插入过滤器。

维修

维修需要极其谨慎和知识,应仅由合格的维修技术人员执行。只能由授权的服务中心维修产品。维修时,只能使用原装备件。

仅进行手册中所述的调整或维修。关于其他维修,请联系授权的服务中心。

每次使用后都要清洁产品。

清洁前,排出并排空喷雾箱。

通过填充区域排出喷涂材料。

将所有喷雾材料从喷雾箱排入一个允许使用的化学物容器中。请勿将化学药品存放在喷雾罐中。

使用清水清洁,并冲洗喷雾箱。可以添加少量的温和家用洗涤剂。

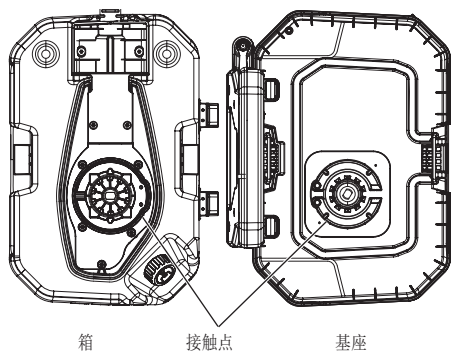
用干净的干布擦拭产品。

可能需要多次冲洗喷雾箱。

清洁电触点

保持水箱底部和底座之间的电气接触柱清洁。

警告! 清洁电气触点之前,请从产品中取出电池组。仅用干净的干布清洁接触点。



箱 接触点 基座

废物处理

切勿在水路、排水道、下水道，排水沟或检修孔中处理残留的化学药品或污染的冲洗溶液。

根据当地废物处置法规处置残留的化学物质和用过的容器。

附件

只能使用美沃奇附件和备件。如果需要更换的组件在此没有介绍，请与其中一个美沃奇服务代理机构联系（参见我们的保修/服务地址列表）。

如果需要，可以订购产品的分解图。咨询案件时，请向您的顾客服务中心提供以下资料：铭牌上产品的号码和机型。

符号



注意！警告！危险！



启动产品前，请仔细阅读本说明书。



在产品上开始任何工作之前，请先取出电池组。



勿将用过的电动工具、电池/充电电池与家庭废弃物混合。

当电动工具和电池达到使用寿命时，必须单独收集，并送至环保回收机构。

请与当地主管部门或经销商联系，了解回收建议和收集地点。

务必佩戴护目镜。



佩戴护耳器。



戴上适当的防尘罩。



使用防护装备。



佩戴手套。



穿结实的防滑鞋。



请勿将电池组暴露在雨中或潮湿的环境中。请勿在潮湿的空间使用电池组。



请勿喷洒易燃液体。



第III类电气保护



拆下电池。保持电气触点清洁。



将旁观者与工作区保持安全距离。



请勿向人或动物喷洒。



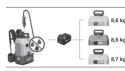
不要喷涂在墙上。



不要逆风喷雾。



请勿将喷嘴指向上方。仅向下喷洒。



空重（包括主机，水箱和电池）

V

伏特



直流电

产品中有害物质的名称及含量						
部件名称	有害物质					
	铅及其化合物 (Pb)	汞及其化合物 (Hg)	镉及其化合物 (Cd)	六价铬 (Cr(VI))	多溴联苯 (PBB)	多溴二苯醚 (PBDE)
机壳金属部分	X	○	○	○	○	○
机壳非金属部分	○	○	○	○	○	○
印刷电路板	○	○	○	○	○	○
开关	○	○	○	○	○	○
马达	○	○	○	○	○	○
附件	○	○	○	○	○	○

本表格依据SJ/T 11364的规定编制。

“○”：表示该有害物质在该部件所有均质材料中的含量均在GB/T 26572规定的限量要求以下。

“X”：表示该有害物质至少在该部件的某一均质材料中的含量超出GB/T 26572规定的限量要求。

기술 데이터	M18 BPFPH	M18 BFPF-CST	M18 BFPF-CCST	M18 BFPF-WST
탱크 용량		15 L	15 L	15 L
유속 (18페이지 그림 섹션 참조)				
분무 거리		7.6 m	7.6 m	
최대 작동 압력		8.27 bar	8.27 bar	4.14 bar
탱크 내부 압력		827 kPa	827 kPa	414 kPa
잔여 탱크		250 mL	250 mL	250 mL
메시 크기 필터 필터		1.7 mm	1.7 mm	1.7 mm
메시 크기 흡입 필터		0.12 / 0.2 mm	0.12 / 0.2 mm	0.12 / 0.2 mm
엔진 속도(최대)	2900 min ⁻¹			
배터리 전압	18 V			
베이스 유닛 중량	4.2 kg			
자체 중량(기본 장치, 탱크 및 배터리 포함 4.0 Ah)		8.6 kg	8.6 kg	8.7 kg
작동 중량(20°C에서 15L 유체 포함)		23.6 kg	23.6 kg	23.7 kg
권장 주변 작동 온도	-18 – +50 °C			
권장 배터리 팩	M18B, M18 HB			
권장 충전기	M12-18C, M12-18FC, M12-18AC, M12-18C3			
소음 정보				
EN 60745에 따라 판별한 측정 값.				
가중치 음압 레벨		72 dB (A)	71 dB (A)	67 dB (A)
불확정성 K		3 dB (A)	3 dB (A)	3 dB (A)
가중치 음향 파워 레벨		85 dB (A)	84 dB (A)	80 dB (A)
불확정성 K		3 dB (A)	3 dB (A)	3 dB (A)
귀마개를 착용하십시오!				
진동 정보				
EN 60745에 따라 판별한 전체 진동 값(3개 축의 벡터 합계).				
진동 방출 값 a _{n,w}		2.8 m/s ²	1.4 m/s ²	1.3 m/s ²
불확정성 K		1.5 m/s ²	1.5 m/s ²	1.5 m/s ²

* 유량은 사용된 분무 매체, 유량 높이 및 풍속 조건과 같은 환경적 요인에 따라 달라집니다.

경고!

본 정보 시트에 제공되어 있는 진동 배출 레벨은 EN 60745에 제공된 표준 시험 절차에 따라 측정되었으며 이를 사용하여 제품을 서로 비교할 수 있습니다. 예비 노출 평가에 이를 사용할 수도 있습니다.

제시된 진동 배출 레벨은 제품에 가해진 주요 진동을 나타냅니다. 하지만 다른 부속품이 있거나 적절히 유지 관리되지 않은 다른 응용 기기에 제품을 사용할 경우, 진동 배출이 다를 수 있습니다. 이는 전체 작동 시간 동안 노출 레벨을 상당히 증가시킬 수 있습니다.

진동 노출 추정 레벨은 제품 전원 차단 시점 또는 제품이 작동하지만 실제로 작업을 수행하지 않을 때 횡수로 고려합니다. 이는 전체 작동 시간 동안 노출 레벨을 상당히 감소시킬 수 있습니다.

추가적인 안전 조치를 파악하여 제품 및 부속품을 유지 관리, 손을 따뜻하게 유지 및 작업 패턴 구성 등 진동 효과로부터 작업자를 보호하십시오.

⚠ 경고! 이 지시사항을 주의하여 읽고 제품 제어 및 올바른 사용 방법에 익숙해져야 합니다. 아래의 지침을 따르지 않으면 전기 충격, 화재 및 중대한 부상을 초래할 수 있습니다.

항후 참조할 수 있도록 경고 문구와 설명서를 잘 보관해 두십시오.

⚠ 백팩 분무기 안전 경고

화재나 폭발의 위험을 줄이려면 가솔린과 같은 가연성 액체를 분무하지 마십시오.

사용, 청소 및 보관을 위해 항상 제품 라벨에 인쇄된 화학 제조업체의 지침을 따르십시오. 화학 물질은 어린이의 손이 닿지 않는 곳에 보관해야 합니다.

위험이 확인되지 않은 물질을 뿌리지 마십시오.

분무 물질에 대한 노출을 줄이려면 분무, 장갑 및 기타 적절한 보호 장비용으로 설계된 안전 마스크와 같은 승인된 안전 장비를 착용하십시오.

가연성 용제 또는 연마제를 사용하여 제품을 청소하지 마십시오.

분무 물질이 눈에 닿지 않도록 하십시오. 분무 물질이 눈과 접촉할 경우 즉시 깨끗한 물로 씻으십시오. 여전히 자극이 있으면 즉시 의사의 진료를 받으십시오.

추가적인 안전 및 작업 지침

분무 재료로 인한 위험에 주의하십시오. 살충제 또는 기타 분무 재료를 제품과 함께 사용하기 전에 원래 용기의 라벨을 주의 깊게 읽고 매체의 현재 안전 데이터 시트를 연구한 다음, 지침을 따르십시오.

분무하는 동안 구역경, 어린이 및 애완동물이 가까이 오지 않도록 하십시오.

제품을 사용하기 전에 분무 막대가 분무 막대 손잡이에 단단히 연결되어 있는지 확인하십시오. 필요할 경우 플레이어를 사용하여 분무 막대를 분무 막대 손잡이에 부착하십시오.

분무 탱크에 액체를 부은 후 분무 탱크 덮개를 올바르게 교체하고 조이십시오.

소비자 등급의 수성 잔디 및 정원 화학 물질만 사용하십시오. 상업 등급 화학 물질 또는 상업 또는 산업용 화학 물질을 사용하지 마십시오.

제품에 가성(알칼리) 자체 가열 또는 부식성(산성) 액체를 사용하지 마십시오. 이러한 액체는 금속 부품을 부식시키거나 탱크와 호스를 약화시킬 수 있습니다.

제품 사용 후 분무 탱크에 잔류물이나 분무 물질을 그대로 방치하지 마십시오. 사용한 이후마다 제품을 청소하십시오.

분무 탱크에 뜨겁거나 끓는 액체를 붓지 마십시오. 뜨거운 액체는 호스나 분무 탱크를 약화시키거나 손상시킬 수 있습니다.

탱크를 과도하게 채우지 마십시오.

제품을 사용하기 전에 항상 누출이 있는지 확인하고 누출이 있는 경우 이를 교정하십시오.

분무 구역은 통풍이 잘되어야 합니다.

개별적으로 사용하기 전에 항상 제품의 내부와 외부를 점검하십시오.

분무할 액체는 물만큼 얇아야 합니다. 이보다 두꺼운 액체는 제대로 분사되지 않습니다.

분무 재료는 필요에 따라 깔때기를 사용하여 분무 탱크에 미리 혼합되어 부여질 수 있습니다.

스파크, 화염 또는 기타 점화원이 있는 곳에 분무하지 마십시오. 사람이나 동물이 있는 방향으로 분무하지 마십시오. 항상 바람이 부는 방향으로 분무하십시오.

제품을 사용하는 동안 담배를 피우거나 음식을 먹거나 음료를

마시지 마십시오.

피부에 직접 닿지 않도록 하십시오.

분무 재료가 피부와 접촉하지 않도록 하십시오. 피부와 접촉할 경우, 비누와 충분한 양의 물로 즉시 씻어 내십시오.

분무하려는 식물이나 물체에 노즐을 직접 겨냥하십시오. 분무 재료가 분무 재료에 의해 손상되지 않는 구역을 향하게 하십시오.

바람이 심하게 부는 날에는 분무하지 마십시오. 분무하지 않아야 하는 식물이나 물체에 분무 재료가 우발적으로 흩날릴 수 있습니다.

제품은 크레들에 안착된 분무 막대 손잡이로 작동하거나 크레들에서 분리하여 작업자가 고정할 수 있습니다.

강전 위험. 전기 콘센트쪽으로 분무하지 마십시오.

매번 사용한 후 손과 피부가 분무에 노출된 부위를 철저히 씻으십시오.

제품을 유지관리하십시오. 제품 내부와 외부를 철저히 점검하고 개별적으로 사용하기 전에 구성품을 점검하십시오. 균열 및 손상된 호스, 누출, 노즐 막힘 및 누락되거나 손상된 부품이 있는지 검사하십시오. 손상된 경우 사용하기 전에 제품을 수리하십시오. 적절히 유지 관리되지 않은 전동 공구로 인해 많은 사고가 발생했습니다.

우발적으로 시동되지 않도록 배수, 청소 또는 보관하기 전에 제품에서 배터리 팩을 분리하십시오.

제조업체의 지침에 따라 화학 물질을 엄격하게 혼합하십시오. 부적절한 혼합물은 유독 가스 또는 폭발성 용액을 생성할 수 있습니다.

어린이, 신체, 총동 장애 또는 정신 질환이 있거나 경험과 지식이 부족한 개인 또는 장비 사용 방법을 모르는 개인은 이 전동 공구를 사용할 수 없습니다. 현지 규정에는 작업자의 연령 제한이 명시되어 있을 수 있습니다.

제품 사용 전, 배터리 팩을 제거하십시오.

사용된 배터리 팩을 가정용 쓰레기와 함께 폐기하거나, 태우지 마십시오. 밀워키 유통회사들이 환경 보호를 위해 다 쓴 배터리를 회수해 주시기를 제안함.

배터리 팩을 금속 물체와 함께 보관하지 마십시오(단락 회로 위험).

System M18 배터리 팩을 충전하려면 System M18 충전기만 사용하십시오. 다른 시스템의 배터리 팩을 사용하지 마십시오. 극심한 부하 또는 극심한 온도 조건에서 손상된 배터리로부터 배터리 산이 누출될 수 있습니다. 배터리 산과 접촉한 경우, 비누물로 즉시 세척하십시오. 눈과 접촉할 경우, 최소 10분 동안 철저히 세정한 후 즉각적인 의료 조치를 취하십시오.

추가 배터리 안전 주의 사항

⚠ 경고! 단락 회로로 인한 화재, 작업자 부상 및 제품 손상 위험을 줄이려면 톨, 배터리 팩 또는 충전기를 유체에 침수시키거나 유체가 내부로 흘러들어가지 않도록 해야 합니다. 해수, 특정한 산업용 화학 물질 및 표백제 또는 표백제 함유 제품 같은 부식성 또는 전도성 유체 등은 단락 회로를 야기할 수 있습니다.

지정된 사용 조건

백팩 분무기는 통풍이 잘되는 장소에서 실외용으로 설계되었습니다.

M18 BPFP-WST

분무기는 물을 분사하도록 설계되었으며 식물에 물을 공급하는 데 사용될 수도 있습니다.

M18 BPFP-CST

분무기는 소비자 등급 가정 및 정원 화학 물질을 분무하도록

설계되었습니다.

- 살충제
- 선택적 제초제
- 비-선택적 제초제
- 제충제
- 살균제
- 비료

분무기는 식물 보호 제품에 대한 현지 또는 국가 규제 기관에서 승인한 식물 보호 제품과 함께 사용해야 합니다.

M18 BFPF-CCST

분무기는 콘크리트 화학 물질을 분무하도록 설계되었습니다.

- 양생제(Form Release)
- 경화 화합물
- 실란트

분무기는 화학 제품에 대한 현지 또는 국가 규제 기관에서 승인한 화학 제품과 함께 사용해야 합니다.

! 분무기를 가연성 액체와 함께 사용하지 마십시오.

휴대용 분무기용으로 승인된 물질만 사용하십시오.

제품은 아동이나 적절한 개인 보호 장구 및 의복을 착용하지 않은 개인이 사용할 수 없습니다.

다른 목적으로 제품을 사용하지 마십시오.

배터리

장시간 사용하지 않은 배터리 팩은 사용하기 전에 충전해야 합니다.

50°C(122°F)를 초과하는 온도는 배터리 팩의 성능을 저하시킵니다. 열이나 햇빛에 오래 노출시키지 마십시오(과열 위험).

충전기 점접 및 배터리 팩을 청결한 상태로 유지해야 합니다.

최적의 수명을 보장하려면 사용한 후에 배터리 팩을 완전히 충전해야 합니다.

배터리 수명을 최대한 연장하려면 완전히 충전된 경우 충전기에서 배터리 팩을 제거하십시오.

30일 이상 배터리 팩을 보관하는 경우:

- 온도가 27°C 이하이며 습기가 없는 장소에 배터리 팩을 보관하십시오.
- 배터리 팩을 30% - 50% 충전된 조건으로 보관하십시오.
- 보관할지 6개월이 경과할 때마다 팩을 정상적으로 충전하십시오.

배터리 팩 보호

매우 높은 토크, 바인딩, 스톨링 그리고 높은 전류가 유입되는 단락 상황에서, 공구는 약 2초 동안 진동한 다음, 전원이 꺼집니다. 재설정하려면 트리거를 해제하십시오.

온도가 너무 높으면 제품의 배터리 전원 공급이 중단됩니다. 배터리 팩이 너무 뜨거우면 작업을 재개하기 전에 냉각시키십시오. 제품이 여전히 작동하지 않으면 배터리를 다시 충전하십시오.

리튬 배터리의 운송

리튬 이온 배터리는 위험물 법을 요건의 적용을 받습니다.

이 배터리는 현지, 국내 및 국제 규정과 법규에 따라 운송해야 합니다.

- 배터리는 추가 요구 사항 없이 도로를 통해 운송할 수

있습니다.

- 제3자가 리튬 이온 배터리를 상용으로 운송할 때에는 위험물 규정의 적용을 받습니다. 운송 준비 및 운송 작업은 적절히 교육을 이수한 개인만 수행해야 하고 그 과정에 해당 전문가가 동행해야 합니다.

배터리 운송 시 :

- 배터리 접촉면을 보호 및 차단하여 합선 위험을 방지하십시오.
 - 배터리 팩이 포장 내에서 움직이지 않도록 고정하십시오.
 - 균열 또는 누출이 있는 배터리는 운송하지 마십시오.
- 추가 지침은 운송 회사에 확인하십시오.

운송 및 보관

- 배터리 팩을 분리합니다.
- 제품의 모든 부분이 깨끗하고 건조해야 합니다.
- 제품에 있는 모든 이물질을 청소하십시오.
- 보관 및 운송 전에 분무 탱크에서 모든 분무 재료를 배출하십시오.
- 개별적으로 사용한 이후에는 제품의 모든 부분에 누출이 있는지 검사하십시오. 필요할 경우 공인 서비스 센터에 제품을 반품하여 수리하십시오.
- 분무 막대를 크래들에 보관할 수 있습니다.
- 운송하려면 제품이 움직이거나 떨어지지 않도록 잘 고정하여 사람이 다치거나 제품이 손상되지 않도록 조치하십시오.
- 어린이의 손이 닿지 않고, 서늘하고 건조하고 통풍이 잘되는 곳에 제품을 보관하십시오. 조경용 화학 물질이나 제방염과 같은 부식성 물질에서 떨어진 곳에 보관하십시오. 실외에 보관하지 마십시오.

잔류 위험

제품을 설명서대로 사용하더라도 위험 요소를 완전히 제거하는 것은 여전히 불가능합니다. 사용 중에 다음과 같은 위험이 발생할 수 있으며, 작업자는 위험 상황을 피하기 위해 특별한 주의를 기울여야 합니다.

- 전기 충격
 - 전기 소켓, 케이블 또는 기기에 액체를 뿌리지 마십시오.
- 유해 물질과의 접촉
 - 분무 물질은 흡입하거나 섭취하거나 피부 또는 눈에 닿으면 유해할 수 있습니다. 지침을 주의해서 따르고 규정에 따라 적절한 보호 장구를 착용하십시오.

문제 해결

문제	가능한 원인	솔루션
저압	배터리 잔량 부족	배터리 팩을 충전합니다.
압력 없음	배터리 잔량 부족	배터리 팩을 충전합니다.
누설	연결부가 제대로 연결되지 않음, 다공성 개스킷	연결 요소를 다시 조이고 밀봉 요소를 교체하십시오.
모터가 작동하지 않음	배터리가 방전되었거나 결함이 있습니다.	배터리 팩을 재충전하거나 교체하십시오.

분무 없음	분무 노즐이 막혔습니다.	압축 공기 또는 적절한 용매로 제품을 청소하십시오.
-------	---------------	------------------------------

노즐 막힘

1. 분무기를 즉시 끄십시오. 배터리 도어가 확실히 닫혀 있는지 확인하십시오.
2. 보호의, 장갑 및 보안경과 보호 장구를 착용하십시오.
3. 노즐을 분해하고 깨끗한 물로 청소하십시오.
4. 결함이 있는 필터를 교체하십시오.

탱크 청소

1. 배터리 도어가 확실히 닫혀 있는지 확인하십시오.
2. 기저부에서 탱크를 분리하고 기저부와 멀리 떨어진 평면에 놓아 기저부가 거친 화학 물질에 노출되지 않도록 합니다.
3. 탱크 캡을 분리하고 3분의 1 정도 깨끗한 물을 채웁니다. 소량의 순한 가정용 세제를 첨가할 수 있습니다. 필요할 경우 온수(최대 50°C)를 사용할 수 있습니다. 캡을 다시 위치시키고 탱크 주변의 물을 철저히 제거합니다.
4. 탱크를 설치하고 탱크가 비워 질 때까지 물을 분무합니다. 잔류 화학 물질에 의해 손상되지 않는 구역으로 분무가 향하게 합니다.
5. 탱크가 완전히 깨끗해질 때까지 깨끗한 물로 해당 절차를 반복합니다. 노즐 외부도 씻고 천으로 닦아냅니다.
6. 깨끗하고 마른 천으로 탱크 외부를 닦습니다.
7. 부품을 다시 설치하고 장치를 보관하기 전에 제품의 모든 부분을 완전히 건조 시키십시오. 탱크 캡을 다시 위치시키기 전에 항상 스트레이너를 다시 삽입하십시오.

유지 관리

본 장비를 수리하려면 세심한 주의와 전문 지식이 필요하므로, 자격을 갖춘 서비스 기술자에게 맡겨야 합니다. 공인된 서비스 센터를 통해서만 제품을 수리해야 합니다. 수리 시에는 본래의 교체용 부품만 사용하십시오.

본 설명서에 설명되어 있는 조절 또는 수리 작업만 수행하십시오. 다른 수리 작업을 하려면 공인 서비스 대리점에 문의하십시오.

사용한 이후마다 제품을 청소하십시오.

청소하기 전에 분무 탱크를 배출하고 비웁니다.

보급 구역을 통해 분무 재료를 배출합니다.

분무 탱크의 모든 분무 재료를 화학 물질용으로 승인된 용기에 배출합니다. 분무 탱크에 화학 물질을 보관하지 마십시오.

깨끗한 물을 사용하여 분무 탱크를 청소하고 행굽니다. 소량의 순한 가정용 세제를 첨가할 수 있습니다.

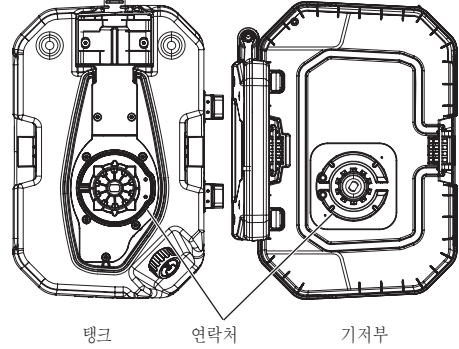
깨끗하고 마른 천으로 제품을 닦으십시오.

분무 탱크를 두 번 이상 행구어야 할 수도 있습니다.

전기 접촉부 청소

탱크 바닥과 기저부 사이의 전기 접촉부 포스트를 청결하게 유지하십시오.

경고! 전기 접촉부를 청소하기 전에 제품에서 배터리 팩을 분리하십시오. 깨끗하고 마른 천으로만 접촉부를 청소하십시오.



폐기

수로, 배수구, 하수구, 도랑 또는 맨홀에 잔류 화학 물질 또는 오염된 세정 용액을 폐기하지 마십시오.

현지 폐기를 처리 규정에 따라 잔류 화학 물질 및 사용한 용기를 폐기하십시오.

액세서리

MILWAUKEE 액세서리와 부속품만 사용하십시오. 언급하지 않은 구성 부품을 교체해야 하는 경우 MILWAUKEE 서비스 센터 중 한 곳에 문의하십시오(보충/서비스 주소 목록 참조).

필요 시, 제품의 분해 조립도를 주문할 수 있습니다. 라벨에 인쇄되어 있는 제품 유형과 일련 번호를 알려주고 현지 서비스 대리점에서 도면을 주문하십시오.

기호



주의! 경고! 위험!



제품 사용 전, 설명서를 자세히 읽으십시오.



제품 사용 전, 배터리 팩을 제거하십시오.



전동 공구, 배터리/충전식 배터리는 가정용 쓰레기와 함께 버리지 마십시오. 수명이 다한 전동 공구와 배터리는 별도로 수거하여 환경적으로 호환되는 재생 시설로 반송해야 합니다. 재활용에 관한 조건과 수거 지점에 대해서는 지방 정부당국이나 소매업자에게 확인하십시오.



항상 보안경을 착용하십시오.



귀마개를 착용하십시오!



적절한 보호 마스크를 착용하십시오.



보호의를 착용하십시오.



장갑을 착용하십시오!



튼튼한 미끄럼 방지 신발을 착용하십시오.



배터리를 빗물에 노출시키지 마십시오.
촉촉하거나 물기가 많은 장소에서 공구를 사용하지 마십시오.



가연성 액체를 분무하지 마십시오.



클래스 III 전기 보호



배터리 팩을 분리합니다. 전기 접촉부를
정결하게 유지하십시오.



작업과 관계없는 사람들은 작업 현장에서
안전 거리를 유지해야 있습니다.



사람이나 동물을 향해 분무하지 마십시오.



벽에 분무하지 마십시오.



바람이 불어오는 방향으로 분사하지
마십시오.



노즐을 위로 향하게 하지 마십시오.
아래쪽으로만 분무하십시오.



자체 중량(기본 장치, 탱크 및 배터리 포함)

V

전압(볼트)



직류

ข้อมูลทางเทคนิค	M18 BPFPH	M18 BFPF-CST	M18 BFPF-CCST	M18 BFPF-WST
ความจุของถัง		15 L	15 L	15 L
อัตราการใช้ (ดูในส่วนของภาพหน้า 18)				
ระยะการพ่น		7.6 m	7.6 m	
แรงดันการทำงานสูงสุด		8.27 bar	8.27 bar	4.14 bar
แรงดันภายในถัง		827 kPa	827 kPa	414 kPa
ถังใสของเหลว		250 mL	250 mL	250 mL
ขนาดตาข่ายไส้กรองของฟิลเลอร์		1.7 mm	1.7 mm	1.7 mm
ขนาดตาข่ายไส้กรองของของตัวดูด		0.12 / 0.2 mm	0.12 / 0.2 mm	0.12 / 0.2 mm
ความเร็วรอบเครื่องยนต์ (สูงสุด)	2900 min ⁻¹			
แรงดันไฟแบตเตอรี่	18 V			
หน่วยฐานรับน้ำหนัก	4.2 kg			
น้ำหนักเปล่า (รวมถึงหน่วยพื้นฐาน ถัง และแบตเตอรี่ 4.0 Ah)		8.6 kg	8.6 kg	8.7 kg
น้ำหนักในการทำงาน (รวมถึงของเหลว 15 ลิตร ที่ 20 °C)		23.6 kg	23.6 kg	23.7 kg
อุณหภูมิในการทำงานที่แนะนำ	-18 – +50 °C			
ชุดแบตเตอรี่ที่แนะนำ	M18B, M18 HB			
ที่ชาร์จที่แนะนำ	M12-18C, M12-18FC, M12-18AC, M12-18C3			

ข้อมูลเกี่ยวกับเสียงรบกวน

ค่าที่วัดที่กำหนดตาม EN 60745

ระดับแรงดันของเสียงที่ถ่วงน้ำหนัก A	72 dB (A)	71 dB (A)	67 dB (A)
ค่า K แปรผัน	3 dB (A)	3 dB (A)	3 dB (A)
ระดับกำลังของเสียงที่ถ่วงน้ำหนัก A	85 dB (A)	84 dB (A)	80 dB (A)
ค่า K แปรผัน	3 dB (A)	3 dB (A)	3 dB (A)

อย่าลืมใส่อุปกรณ์ป้องกันหู!

ข้อมูลเกี่ยวกับการสั่น

ค่าการสั่นสะเทือนรวม (ผลรวมเวกเตอร์ในสามแกน) ที่กำหนดตาม EN 60745

ค่าการปล่อยการสั่นสะเทือน a_{nW}	2.8 m/s ²	1.4 m/s ²	1.3 m/s ²
ค่า K แปรผัน	1.5 m/s ²	1.5 m/s ²	1.5 m/s ²

*อัตราการใช้ขึ้นอยู่กับสเปกตรัมตัวกลางที่ใช้ ความสูงของการไหล และอิทธิพลของสภาพแวดล้อม เช่น สภาพลม

คำเตือน!

ระดับการส่งแรงสั่นสะเทือนที่ใหไว้ในเอกสารนี้ได้รับการวัดให้สอดคล้องกับการทดสอบมาตรฐานตาม EN 60745 และอาจใช้เปรียบเทียบผลิตภัณฑ์หนึ่งกับอีกผลิตภัณฑ์หนึ่ง ซึ่งอาจใช้ในการประเมินการสัมผัสแรงสั่นสะเทือนเบื้องต้น

ระดับการส่งแรงสั่นสะเทือนที่แจ้งไว้คือระดับที่เกิดขึ้นจากการใช้งานหลัก อย่างไรก็ตาม หากใช้งานผลิตภัณฑ์ในลักษณะอื่น ด้วยอุปกรณ์เสริมที่แตกต่างจากที่แนะนำไว้ หรือขาดการบำรุงรักษาที่เหมาะสม แรงสั่นสะเทือนที่ส่งออกมาอาจมีการเปลี่ยนแปลงไป ซึ่งอาจเพิ่มระดับการสัมผัสแรงสั่นสะเทือนขึ้นอย่างมากตลอดช่วงการทำงานทั้งหมด

ให้พิจารณาประเมินระดับความเสี่ยงของการสั่นทุกครั้งขณะปิดเครื่องของอุปกรณ์แล้วหรือเมื่อเปิดเครื่องของอุปกรณ์แล้วแต่ยังไม่ได้ใช้ทำงาน ซึ่งอาจลดระดับการสัมผัสแรงสั่นสะเทือนลงอย่างมากตลอดช่วงการทำงานทั้งหมด

อ่านมาตรการด้านความปลอดภัยเพิ่มเติมเพื่อปกป้องผู้ใช้จากผลของแรงสั่นสะเทือน เช่น การบำรุงรักษาผลิตภัณฑ์และอุปกรณ์เสริม การคอยดูแลให้มีอุณหภูมิและตารางแผนรูปแบบการทำงานให้เป็นระเบียบ

⚠ คำเตือน! อ่านคู่มืออย่างระมัดระวังและความรู้จักกับตัวควบคุมและการใช้งานผลิตภัณฑ์อย่างเหมาะสม การไม่ปฏิบัติตามคำแนะนำที่แสดงอยู่ด้านล่าง อาจทำให้เกิดไฟฟ้าช็อตเพลิงไหม้ และ/หรือการบาดเจ็บรุนแรงได้

โปรดเก็บเอกสารคำเตือนและคำแนะนำทั้งหมดเพื่อใช้อ้างอิงในอนาคต

⚠ คำเตือนเกี่ยวกับความปลอดภัยสำหรับเครื่องพ่นสารเคมีสะพายหลัง

อย่าพ่นสเปรย์ของเหลวที่ติดไฟได้ เช่น น้ำมันเบนซิน เพื่อลดความเสี่ยงจากการเกิดเพลิงไหม้หรือการระเบิด

ปฏิบัติตามคำแนะนำของคู่มือผลิตภัณฑ์ที่พิมพ์อยู่บนฉลากผลิตภัณฑ์เสมอในการใช้งาน ทำความสะอาด และจัดเก็บ ควรเก็บสารเคมีให้พ้นจากมือเด็ก

อย่าพ่นสเปรย์สารใดๆ ในที่ที่ไม่ทราบว่าเป็นอันตรายหรือไม่ เพื่อลดการสัมผัสกับสารสเปรย์ ให้สวมอุปกรณ์ป้องกันที่ได้รับการอนุมัติ เช่น หน้ากากที่ออกแบบมาสำหรับการฉีดพ่นสเปรย์ ถุงมือ และอุปกรณ์ป้องกันอื่นๆ ที่เหมาะสม

อย่าใช้ตัวทำละลายที่เป็นสารไวไฟหรือสารทำความสะอาดที่มีฤทธิ์กัดกร่อนเพื่อทำความสะอาดผลิตภัณฑ์

อย่าให้สารสเปรย์เข้าใกล้ตา หากสารสเปรย์สัมผัสกับดวงตา ให้ล้างออกด้วยน้ำสะอาดทันที หากยังคงมีอาการระคายเคือง ให้รีบไปพบแพทย์ทันที

คำแนะนำเพิ่มเติมเรื่องความปลอดภัยและการใช้งาน

ระวังอันตรายใดๆ ที่เกิดจากสารสเปรย์ ก่อนที่จะใช้ยาฆ่าแมลงหรือสารสเปรย์อื่นๆ กับผลิตภัณฑ์ โปรดอ่านฉลากบนภาชนะบรรจุสารเหล่านั้นอย่างระมัดระวัง รวมทั้งศึกษาเอกสารข้อมูลความปลอดภัยในปัจจุบันของตัวกลาง และปฏิบัติตามคำแนะนำอย่างเคร่งครัด

ห้ามบุคคลอื่น เด็ก และสัตว์เลี้ยงเข้ามาในบริเวณที่มีการฉีดพ่น

ตรวจสอบให้แน่ใจว่าตามฉีดยาเชื่อมต่ออย่างแน่นหนากับตัวจับของเครื่องพ่นสารเคมีก่อนใช้งานผลิตภัณฑ์ หากจำเป็นให้ใช้ซิมนเพื่อต่อตามฉีดยาเข้ากับตัวจับเครื่องพ่นสารเคมี

อย่าสัมผัสและอย่าเข้าครอบงำพ่นยาอย่างเหมาะสมหลังจากเทของเหลวลงในถังพ่นยา

ใช้เฉพาะสารเคมีเกรดสำหรับผู้บริโภค ชนิดน้ำ และสำหรับใช้ในสวน ห้ามใช้สารเคมีเกรดเพื่อการพาณิชย์หรือสารเคมีสำหรับใช้ตามจุดประสงค์เพื่อการพาณิชย์หรืออุตสาหกรรม

อย่าใช้ของเหลวที่มีฤทธิ์กัดกร่อน (อัลคาไล) ที่ทำให้เกิดความร้อนหรือทำให้สีกกร่อน (กรด) กับผลิตภัณฑ์ ของเหลวเหล่านี้สามารถกัดกร่อนชิ้นส่วนโลหะหรือทำให้ถังและสายส่งสีกกร่อนได้

อย่าทิ้งสิ่งตกค้างหรือสารสเปรย์ไว้ในถังเครื่องพ่นสารเคมีหลังจากใช้ผลิตภัณฑ์ ทำความสะอาดผลิตภัณฑ์หลังการใช้งานทุกครั้ง

อย่าเทของเหลวร้อนหรือเดือดลงในถังเครื่องพ่นสารเคมี ของเหลวร้อนอาจทำให้สายส่งหรือถังเครื่องพ่นสารเคมีสีกกร่อนหรือได้รับความเสียหาย

อย่าเติมน้ำมัน

ตรวจสอบรอยรั่วเป็นประจำและทำการแก้ไขอย่างเหมาะสมก่อนใช้ผลิตภัณฑ์ บริเวณที่ฉีดพ่นสเปรย์จะต้องมีการระบายอากาศที่ดี

ตรวจสอบผลิตภัณฑ์ทั้งภายในและภายนอกทุกครั้งก่อนใช้งาน

ของเหลวที่ฉีดพ่นจะต้องมีความบางเท่ากับน้ำ ของเหลวที่มีความหนากว่าฉีดยาได้ไม่เหมาะสม

หากจำเป็น สามารถผสมสารสเปรย์และเหลวในถังเครื่องพ่นสารเคมีโดยใช้กรวย

ห้ามฉีดพ่นในบริเวณที่มีประกายไฟ เปลวไฟ หรือแหล่งที่สามารถกำเนิดประกายไฟอื่น ๆ อย่างฉีดยาไปในทิศทางคนหรือสัตว์ ฉีดยาไปตามทิศทางกระแสลมทุกครั้ง

ห้ามสูบบุหรี่ รับประทานอาหาร หรือดื่มเครื่องดื่ม ในขณะที่ใช้ผลิตภัณฑ์

อย่าให้โดนผิวหนังโดยตรง

อย่าให้สารสเปรย์สัมผัสกับผิวหนัง หากเกิดการสัมผัส ให้ล้างออกด้วยสบู่และน้ำ

อย่าปริมาณมากเกินไป

เล็งหัวฉีดไปยังพืชหรือวัตถุที่ต้องการฉีดพ่นโดยตรง ตรวจสอบให้แน่ใจว่าบริเวณที่ฉีดพ่นสารสเปรย์ไม่ได้รับความเสียหายจากสารสเปรย์

หลีกเลี่ยงการฉีดพ่นในวนที่มีลมแรง สารสเปรย์อาจถูกลมพัดไปยังพืชหรือวัตถุที่ไม่ควรฉีดพ่นโดยไม่ตั้งใจ

สามารถใช้งานผลิตภัณฑ์ได้โดยใช้ตัวจับก้านพ่นยาที่ติดอยู่กับที่ยึด หรือผู้ปฏิบัติงานสามารถถอดออกจากที่ยึดและถือด้วยมือได้

อันตรายจากไฟฟ้าลัดวงจร อย่างฉีดพ่นสเปรย์ไปยังเต้าเสียบไฟฟ้า

หลังการใช้งานทุกครั้ง ให้ล้างมือและผิวหนังบริเวณที่สัมผัสกับสเปรย์อย่างทั่วถึง การบำรุงรักษาผลิตภัณฑ์ ตรวจสอบผลิตภัณฑ์ทั้งภายในและภายนอกอย่างทั่วถึง และตรวจสอบชิ้นส่วนประกอบก่อนใช้งานทุกครั้ง ตรวจสอบเช็ครอยแตกและการชำรุดของสายส่ง การรั่วไหลหรืออุดตันของหัวฉีด และชิ้นส่วนที่หลุดหายหรือได้รับความเสียหาย หากได้รับความเสียหาย ให้ซ่อมแซมผลิตภัณฑ์ก่อนใช้งาน อุบัติเหตุจำนวนมากเกิดจากเครื่องมือกลที่ไม่ได้รับการซ่อมบำรุงที่ดีเพียงพอ

ถอดก่อนแบตเตอรี่ออกจากผลิตภัณฑ์ก่อนที่จะเททิ้ง ทำความสะอาด หรือจัดเก็บเพื่อหลีกเลี่ยงการสตาร์ทเครื่องโดยไม่ตั้งใจ

ผสมสารเคมีตามคำแนะนำของผู้ผลิตอย่างเคร่งครัด การผสมสารอย่างไม่ถูกต้องอาจทำให้เกิดของพิษหรือสารละลายที่ระเบิดได้

ห้ามให้เด็ก บุคคลที่มีความบกพร่องทางกาย การรับรู้ หรือทางจิต ตลอดจนบุคคลที่ขาดประสบการณ์และความรู้ หรือบุคคลที่ไม่คุ้นเคยกับคำแนะนำเหล่านี้ใช้งานเครื่องมือ อาจมีการจำกัดอายุผู้ใช้ตามข้อกำหนดในห้องเก็บ

ถอดชุดแบตเตอรี่ออกก่อนเริ่มกรทำการใด ๆ กับผลิตภัณฑ์

ห้ามทิ้งแบตเตอรี่ที่ใช้แล้วกับขยะครัวเรือน หรือโดยการเผาทำลาย ผู้แทนจำหน่ายของ MILWAUKEE มีข้อเสนอในการกู้คืนแบตเตอรี่เก่าเพื่อปกป้องสภาพแวดล้อมของเรา

ไม่เก็บชุดแบตเตอรี่ไว้รวมกับวัตถุอื่นที่เป็นโลหะ (เสี่ยงต่อการลัดวงจร)

ชาร์จชุดแบตเตอรี่ System M18 ด้วยตัวชาร์จสำหรับ System M18 เท่านั้น อย่าใช้แบตเตอรี่จากกระบอกอื่น ๆ

กรดแบตเตอรี่อาจรั่วซึมจากแบตเตอรี่ที่เสียหายภายใต้อุณหภูมิสูงหรือการใช้งานที่หนักมากเกินไป หากสัมผัสกับกรดแบตเตอรี่ ให้ล้างออกทันทีด้วยน้ำสบู่ หากกรดแบตเตอรี่เข้าตา ล้างตาให้ทั่วด้วยน้ำอย่างน้อย 10 นาทีและไปพบแพทย์ทันที

คำเตือนเพิ่มเติมเกี่ยวกับความปลอดภัยของแบตเตอรี่

⚠ คำเตือน! วัสดุความเสี่ยงในการเกิดไฟไหม้ การบาดเจ็บส่วนบุคคล และความเสี่ยงของผลิตภัณฑ์ จากการผลิตวงจร อย่างจุ่มเครื่องมือก่อนแบตเตอรี่ หรือเครื่องชาร์จไฟลงในของเหลวหรือปล่อยให้ของเหลวซึมเข้าสู่ภายใน ของเหลวที่มีฤทธิ์กัดกร่อนหรือนำไฟฟ้าอาจก่อให้เกิดการลัดวงจรได้ เช่น น้ำทะเล สารเคมีทางอุตสาหกรรมบางชนิด และผลิตภัณฑ์ฟอกสี หรือมีส่วนผสมการฟอกสี เป็นต้น

สภาพการใช้งานที่กำหนด

เครื่องพ่นสารเคมีสะพายหลังมีจุดประสงค์สำหรับการใช้งานกลางแจ้งในบริเวณที่มีการระบายอากาศที่ดี

M18 BFPF-WST

เครื่องพ่นสารเคมีได้รับการออกแบบสำหรับการฉีดพ่นน้ำและสามารถใช้กับพืชน้ำได้

M18 BFPF-CST

เครื่องพ่นสารเคมีได้รับการออกแบบสำหรับการฉีดพ่นสารเคมีสำหรับใช้ในครัวเรือนและในสวน:

- ยกกำจัดศัตรูพืช
- ยกกำจัดวัชพืชบางชนิด
- ยกกำจัดวัชพืชที่ไม่ระบุ
- ยาฆ่าแมลง
- ยาฆ่าเชื้อรา
- ปุย

ควรใช้เครื่องพ่นสารเคมีกับผลิตภัณฑ์ปกป้องพืชที่ได้รับการอนุมัติจากหน่วยงานกำกับดูแลด้านการป้องกันพืชของท้องถิ่นหรือระดับประเทศเท่านั้น

M18 BFPF-CCST

เครื่องพ่นสารเคมีได้รับการออกแบบสำหรับการฉีดพ่นสารเคมีผสมสำหรับคอนกรีต:

- น้ำยาทาแบบหล่อคอนกรีต
- น้ำยาบ่มคอนกรีต
- สารกันรั่ว

ควรใช้เครื่องพ่นสารเคมีกับผลิตภัณฑ์สารเคมีที่ได้รับการอนุมัติจากหน่วยงานกำกับดูแลด้านผลิตภัณฑ์สารเคมีของท้องถิ่นหรือระดับประเทศเท่านั้น

⚠ อย่าใช้เครื่องพ่นสารเคมีกับของเหลวที่ติดไฟได้

ใช้เฉพาะสารที่ได้รับอนุญาตให้ใช้กับเครื่องพ่นแบบสะพายหลังเท่านั้น

เด็กหรือบุคคลที่ไม่สามารถป้องกันส่วนบุคคลที่เพียงพอห้ามใช้ผลิตภัณฑ์นี้

ห้ามใช้ผลิตภัณฑ์เพื่อวัตถุประสงค์อื่นนอกเหนือจากที่ระบุ

แบตเตอรี่

ควรชาร์จไฟใหม่ก่อนใช้งานหากไม่ได้ใช้ชุดแบตเตอรี่เป็นเวลานาน ประสิทธิภาพของชุดแบตเตอรี่จะลดลงหากอุณหภูมิสูงกว่า 50°C (122°F) หลีกเลี่ยงไม่ให้ถูกแสงแดดหรือความร้อนเป็นเวลานาน (เสี่ยงต่อความร้อนเกิน)

ต้องหมั่นดูแลความสะอาดหน้าสัมผัสตัวชาร์จกับชุดแบตเตอรี่ เพื่อยืดอายุการใช้งาน ควรชาร์จแบตเตอรี่ให้เต็มหลังการใช้งาน เพื่อรักษาอายุแบตเตอรี่ให้มากที่สุด ให้ถอดชุดแบตเตอรี่ออกจากตัวชาร์จเมื่อชาร์จไฟเต็ม

สำหรับชุดแบตเตอรี่ที่ต้องการเก็บไว้นานกว่า 30 วัน:

- เก็บชุดแบตเตอรี่ไว้ที่อุณหภูมิต่ำกว่า 27°C และหลีกเลี่ยงความร้อน
- เก็บชุดแบตเตอรี่ไว้ที่ประจุ 30% - 50%
- ให้ชาร์จแบตเตอรี่ตามปกติทุกเดือนที่เก็บ

ระบบป้องกันของชุดแบตเตอรี่

ในกรณีเร่งขั้นสูงสุด การตัดขัด การหยุดชะงัก และไฟฟ้าสถิตย์จริงที่ก่อให้เกิดกระแสไฟแรงสูง เครื่องมือจะสันเต็งเป็นเวลาประมาณ 2 วินาที จากนั้นเครื่องมือจะปิดการทำงาน การรีเซ็ต ปล่อยให้

อุณหภูมิที่สูงเกินไปจะทำให้ชุดแบตเตอรี่หยุดจ่ายพลังงานให้กับผลิตภัณฑ์ ถ้าชุดแบตเตอรี่ร้อนเกินไป โปรดปล่อยให้เย็นตัวลงก่อนทำงานต่อถ้าผลิตภัณฑ์ยังไม่ทำงาน ให้ชาร์จแบตเตอรี่ใหม่

การเคลื่อนย้ายแบตเตอรี่ลิเธียม

แบตเตอรี่ลิเธียม ไอออนอยู่ภายใต้ข้อกำหนดตามกฎหมายของสินค้าอันตราย

การขนส่งแบตเตอรี่เหล่านี้ต้องกระทำตามกฎหมายและข้อบังคับของท้องถิ่น ของประเทศ และระหว่างประเทศ

- สามารถขนส่งแบตเตอรี่ทางถนนได้โดยไม่ต้องมีข้อกำหนดเพิ่มเติม
- การขนส่งแบตเตอรี่ลิเธียม ไอออนเชิงพาณิชย์โดยมีผู้โดยสารต้องดำเนินการภายใต้กฎระเบียบว่าด้วยสินค้าที่มีอันตราย การเตรียมการขนส่งและการขนส่งต้องดำเนินการโดยบุคลากรที่ผ่านการฝึกอบรมมาแล้วเท่านั้น และในระหว่างดำเนินการต้องมีผู้เชี่ยวชาญที่เกี่ยวข้องคอยกำกับดูแล

เมื่อขนย้ายแบตเตอรี่:

- ตรวจสอบให้แน่ใจว่าขั้วต่อแบตเตอรี่ได้รับการปกป้องและหุ้มฉนวนเพื่อป้องกันไฟฟ้าสถิตย์
- ตรวจสอบให้แน่ใจว่าก่อนแบตเตอรี่ได้รับการปกป้องอย่างแน่นหนาอยู่ในบรรจุภัณฑ์
- ห้ามเคลื่อนย้ายแบตเตอรี่ที่แตกหรือรั่ว

โปรดสอบถามบริษัทขนส่งหากท่านต้องการคำแนะนำเพิ่มเติม

การขนย้ายและการจัดเก็บ

- นำชุดแบตเตอรี่ออก
- ตรวจสอบให้แน่ใจว่าทุกชิ้นส่วนของผลิตภัณฑ์มีความสะอาดและแห้ง
- ทำความสะอาดวัตถุแปลกปลอมทั้งหมดออกจากผลิตภัณฑ์
- เทสารสเปรย์ออกจากถังเครื่องพ่นสารเคมีให้หมดก่อนจัดเก็บและขนย้าย
- หลังการใช้งานทุกครั้ง ให้ตรวจสอบรอยรั่วของชิ้นส่วนประกอบทั้งหมดของผลิตภัณฑ์ สังเกตผลิตภัณฑ์ไปยังศูนย์บริการอย่างเป็นทางการเพื่อการซ่อมหากจำเป็น
- สามารถเก็บก้านฉีดสเปรย์ไว้บนที่ยึดได้
- หากต้องการขนย้าย ให้ยึดผลิตภัณฑ์ไว้โดยอย่าให้สามารถขยับหรือถอดหล่นได้ เพื่อป้องกันไม่ให้มีผู้ได้รับบาดเจ็บหรือผลิตภัณฑ์เสียหาย
- จัดเก็บไว้ในที่แห้งและเย็น และสามารถระบายอากาศได้ดี ซึ่งเด็ก ๆ ไม่สามารถเข้าถึงได้ เก็บไว้ในที่ห่างจากสารที่มีฤทธิ์กัดกร่อน เช่น สารเคมีทำสวนและ เกลือ ละลายน้ำแข็ง อย่าจัดเก็บไว้ใกล้แก๊ส

ความเสี่ยงที่หลีกเลี่ยง

ถึงแม้เครื่องมือจะได้รับใช้ตามที่กำหนด แต่ก็ไม่สามารถกำจัดปัจจัยความเสี่ยงที่หลงเหลืออยู่ได้ อดตายต่อไปนี้อาจเกิดขึ้นในการใช้งานและผู้ดำเนินการควรให้ความสนใจเป็นพิเศษเพื่อหลีกเลี่ยงกรณีต่อไปนี้

- ไฟฟ้าสถิตย์
 - อย่านัดของเหลวไปยังตัวสายไฟฟ้า สายไฟ หรือเครื่องใช้ไฟฟ้า
- การสัมผัสกับสารอันตราย
 - สารสเปรย์อาจเป็นอันตรายหากสูดดม กลืนกิน หรือสัมผัสกับผิวหนังหรือดวงตา ปฏิบัติตามคำแนะนำอย่างระมัดระวังและสวมใส่อุปกรณ์ป้องกันอย่างเหมาะสมตามที่กำหนด

การแก้ปัญหา

ปัญหา	สาเหตุที่เป็นไปได้	วิธีการแก้ปัญหา
แรงดันต่ำ	ชาร์จแบตเตอรี่ไม่เพียงพอ	ชาร์จชุดแบตเตอรี่
ไม่มีแรงดัน	ชาร์จแบตเตอรี่ไม่เพียงพอ	ชาร์จชุดแบตเตอรี่
รั่ว	การเชื่อมต่อไม่ถูกต้อง ประกันรั่ว	ชิ้นส่วนประกอบ การเชื่อมต่อให้แน่นอีกครั้งและเปลี่ยนส่วนประกอบซีล
มอเตอร์สตาร์ทไม่ติด	แบตเตอรี่หมดหรือชาร์จ	ชาร์จไฟใหม่หรือเปลี่ยนก่อนแบตเตอรี่ใหม่
ไม่พ่นสเปรย์	หัวฉีดสเปรย์ถูกปิดกั้น	ทำความสะอาดผลิตภัณฑ์ด้วยอากาศอัดหรือตัวทำละลายที่เหมาะสม

หัวฉีดถูกปิดกั้น

1. ให้ปิดเครื่องพ่นสารเคมีทันที ตรวจสอบให้แน่ใจว่าฝาปิดก่อนแบตเตอรี่ปิดอย่างแน่นหนา
2. สวมชุดป้องกัน เช่น ถุงมือและอุปกรณ์ป้องกันดวงตา
3. ถอดหัวฉีดและทำความสะอาดด้วยน้ำสะอาด
4. เปลี่ยนไส้กรองที่ชาร์จ

ท่าความสะอาดถัง

1. ตรวจสอบให้แน่ใจว่าฝาปิดก่อนแบตเตอรี่ปิดอย่างแน่นหนา

- นำถังออกจากฐานและตั้งไว้บนพื้นราบห่างจากฐานเพื่อป้องกันไม่ให้ฐานสัมผัสกับสารเคมีที่รุนแรง
- ถอดถ้วยตวงออกและเติมน้ำสะอาดประมาณหนึ่งในสามของปริมาตรทั้งหมด สามารถเติมผงชกฟอกสำหรับใช้ในครัวเรือนได้ในปริมาณเล็กน้อย หากต้องการ สามารถใช้น้ำอุ่นได้ (ไม่เกิน 50°C) ใส่ฝาปิดและค่อยๆ ราดน้ำรอบๆ ถัง
- ติดตั้งถังและฉีดพ่นน้ำจนกระทั่งหมดถัง ตรวจสอบให้แน่ใจว่าได้ฉีดพ่นไปยังบริเวณที่จะไม่ได้รับความเสียหายจากสารเคมีตกค้าง
- ทำตามขั้นตอนนี้ด้วยน้ำสะอาดอีกครั้งจนกระทั่งถังสะอาดหมดจด ล้างด้านนอกของหัวฉีดและใช้ผ้าเช็ดให้แห้ง
- เช็ดด้านนอกของถังด้วยผ้าที่แห้งสะอาด
- ปล่อยให้ชิ้นส่วนทั้งหมดของผลิตภัณฑ์แห้งสนิทก่อนทำการประกอบกลับเข้าที่เดิมและนำเครื่องพ่นไปจัดเก็บ ใส่เครื่องกรองทุกครั้งก่อนที่จะเปลี่ยนผ้ากรอง

การบำรุงรักษา

การซ่อมบำรุงจะต้องทำด้วยความระมัดระวังเป็นพิเศษและต้องการความรู้เฉพาะด้าน โดยควรให้เฉพาะ เจ้าหน้าทีเทคนิคซ่อมบำรุงที่ผ่านการฝึกอบรมเป็นผู้ดำเนินการ การซ่อมบำรุงผลิตภัณฑ์จะต้องกระทำโดยศูนย์บริการที่ได้รับอนุญาตเท่านั้น เมื่อดำเนินการซ่อมบำรุง ให้ใช้เฉพาะชิ้นส่วนอะไหล่ของแท้เท่านั้น

ทำการปรับแต่ง หรือซ่อมแซมตามทีระบุไว้ในคู่มือนี้เท่านั้น สำหรับการซ่อมแซมอื่นๆ โปรดติดต่อตัวแทนบริการที่ได้รับอนุญาต

ทำความสะอาดผลิตภัณฑ์หลังการใช้งานทุกครั้งของเหลวในถังเครื่องพ่นสารเคมีทิ้งให้หมดก่อนทำความสะอาดเตาสารสเปรย์ผ่านทาบบริเวณที่เดิม

เตาสารสเปรย์ในถังเครื่องพ่นสารเคมีลงในภาชนะที่ได้รับการอนุมัติสำหรับใส่สารเคมี อย่าเก็บสารเคมีไว้ในถังเครื่องพ่นสารเคมี

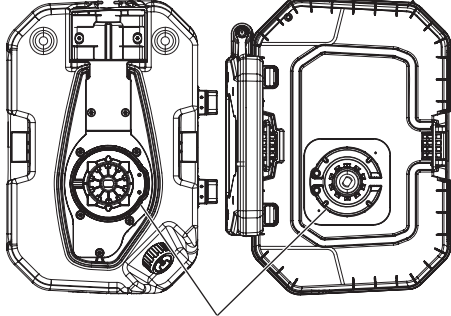
ใช้น้ำสะอาดทำความสะอาดและล้างถังเครื่องพ่นสารเคมี สามารถเติมผงชกฟอกสำหรับใช้ในครัวเรือนได้ในปริมาณเล็กน้อย

เช็ดทำความสะอาดผลิตภัณฑ์ด้วยผ้าที่แห้งสะอาดเท่านั้น

อาจจำเป็นต้องล้างทำความสะอาดถังเครื่องพ่นสารเคมีมากกว่าหนึ่งครั้ง

การทำความสะอาดส่วนที่สัมผัสกับไฟฟ้า
รักษาความปลอดภัยของข้อสัมผัสไฟฟ้าระหว่างส่วนล่างของถังและฐานให้สะอาดอยู่เสมอ

คำเตือน! ถอดก้อนแบตเตอรี่ออกจากผลิตภัณฑ์ก่อนที่จะทำความสะอาดข้อสัมผัสไฟฟ้า เช็ดทำความสะอาดส่วนสัมผัสด้วยผ้าที่แห้งสะอาดเท่านั้น



การกำจัด

อย่าทิ้งสารเคมีตกค้างหรือสารละลายทำความสะอาดที่ปนเปื้อนในทางน้ำ ท่อระบายน้ำ ร่องน้ำ ท่อระบายน้ำตามท้องถนน หรือบ่อพักน้ำเสีย

กำจัดสารเคมีตกค้างและภาชนะบรรจุที่ใช้แล้วตามกฎระเบียบในการกำจัดขยะของท้องถิ่น

อุปกรณ์เสริม

ให้ใช้อุปกรณ์เสริมและชิ้นส่วนอะไหล่ของ MILWAUKEE เท่านั้น หากจำเป็นต้องเปลี่ยนส่วนประกอบที่ไม่ได้อธิบายไว้ โปรดติดต่อศูนย์บริการของ MILWAUKEE (ดูที่รายการการรับประกันที่อยู่ของศูนย์บริการของเรา)

ท่านสามารถส่งภาพกระจายชิ้นส่วนประกอบของผลิตภัณฑ์ได้ หากต้องการ โปรดระบุประเภทผลิตภัณฑ์ที่พิมพ์พร้อมทั้งหมายเลขอนุกรมบนฉลาก และใส่ชื่อหรือสิ่งที่ตัวแทนบริการภายในท้องถิ่นของคุณ

เครื่องหมาย



ระวัง! คำเตือน! อันตราย!



โปรดอ่านคำแนะนำอย่างระมัดระวังก่อนเริ่มใช้เครื่องมือ



ถอดชุดแบตเตอรี่ออกก่อนเริ่มทำการใด ๆ กับผลิตภัณฑ์



อย่าหิ้วเครื่องมือไฟฟ้า แบตเตอรี่ แบตเตอรี่ชนิดชาร์จซ้ำได้ร่วมกับขั้วในครัวเรือน ต้องหิ้วเครื่องมือไฟฟ้าและแบตเตอรี่ที่หมดอายุการใช้งานแยกต่างหากและนำไปยังสถานที่รีไซเคิลที่เป็นมิตรกับสิ่งแวดล้อม ตรวจสอบกับผู้มีอำนาจในท้องถิ่นของคุณหรือร้านค้าปลีกสำหรับคำแนะนำในการรีไซเคิลและจุดเก็บรวบรวม



ใส่อุปกรณ์ป้องกันสายตาดูเสมอ



โปรดสวมอุปกรณ์ปกป้องการได้ยิน



สวมหมวกป้องกันที่เหมาะสม



ใช้ชุดป้องกัน



สวมถุงมือ



สวมรองเท้าที่แข็งแรงไม่ลื่น



ห้ามให้แบตเตอรี่ถูกฝน ห้ามใช้แบตเตอรี่ในบริเวณที่ชื้นหรือเปียก



อย่าฉีดพ่นของเหลวที่ติดไฟได้



การป้องกันไฟฟ้าระดับ 3



นำชุดแบตเตอรี่ออก รักษาความสะอาดของส่วนสัมผัสไฟฟ้า



กั้นบุคคลอื่นที่อยู่ใกล้เคียงให้อยู่ในระยะห่างที่ปลอดภัยจากพื้นที่ทำงาน



อย่าฉีดพ่นไปยังคนหรือสัตว์



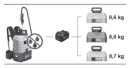
อย่าฉีดพ่นเมฆ



อย่าฉีดพ่นด้านลม



อย่าหันหัวฉีดขึ้นด้านบน ฉีดพ่นลงด้านล่างเท่านั้น



น้ำหนักเปล่า (รวมถึงหน่วยฐาน ถัง และแบตเตอรี่)

V

โวลต์



กระแสตรง

DATA TEKNIS	M18 BPFPH	M18 BFPF-CST	M18 BFPF-CCST	M18 BFPF-WST
Kapasitas tangki		15 L	15 L	15 L
Laju arus (lihat bagian gambar di halaman 18)				
Jarak semprotan		7,6 m	7,6 m	
Tekanan kerja maksimum		8,27 bar	8,27 bar	4,14 bar
Tekanan di dalam tangki		827 kPa	827 kPa	414 kPa
Tangki residu		250 mL	250 mL	250 mL
Filter pengisi berukuran mata jaring		1,7 mm	1,7 mm	1,7 mm
Filter pengisap berukuran mata jaring		0,12 / 0,2 mm	0,12 / 0,2 mm	0,12 / 0,2 mm
Kecepatan mesin (maksimum)	2900 min ⁻¹			
Tegangan baterai	18 V			
Berat unit basis	4,2 kg			
Berat kosong (termasuk unit basis, tangki, dan baterai 4,0 Ah)		8,6 kg	8,6 kg	8,7 kg
Berat pengoperasian (termasuk 15 L cairan pada 20 °C)		23,6 kg	23,6 kg	23,7 kg
Suhu pengoperasian sekitar yang direkomendasikan	-18 – +50 °C			
Paket baterai yang direkomendasikan	M18B, M18 HB			
Pengisi daya yang direkomendasikan	M12-18C, M12-18FC, M12-18AC, M12-18C3			

Informasi kebisingan

Nilai terukur yang ditentukan sesuai EN 60745.

Tingkat tekanan suara tertimbang A	72 dB (A)	71 dB (A)	67 dB (A)
K Ketidakpastian	3 dB (A)	3 dB (A)	3 dB (A)
Tingkat daya suara tertimbang A	85 dB (A)	84 dB (A)	80 dB (A)
K Ketidakpastian	3 dB (A)	3 dB (A)	3 dB (A)

Pakailah pelindung telinga!

Informasi vibrasi

Total nilai vibrasi (jumlah vektor di ketiga aksis) ditentukan sesuai EN 60745.

Nilai $a_{h,w}$ emisi getaran	2,8 m/s ²	1,4 m/s ²	1,3 m/s ²
K Ketidakpastian	1,5 m/s ²	1,5 m/s ²	1,5 m/s ²

* Laju aliran tergantung pada media semprotan yang digunakan, ketinggian aliran, dan pengaruh lingkungan seperti kondisi angin.

PERINGATAN!

Tingkat emisi getaran yang diberikan dalam lembar informasi ini telah diukur sesuai dengan uji terstandar yang diberikan dalam EN 60745 dan dapat digunakan untuk membandingkan satu produk dengan yang lainnya. Dapat digunakan untuk penilaian pendahuluan terhadap paparan.

Tingkat emisi getaran yang dinyatakan mewakili penggunaan utama produk ini. Namun, jika produk digunakan untuk penggunaan yang berbeda, dengan aksesoris yang berbeda, atau pemeliharaan yang kurang memadai, maka emisi getaran mungkin akan berbeda. Hal ini dapat meningkatkan tingkat paparan secara signifikan selama periode kerja total.

Perkiraan tingkat paparan terhadap getaran juga harus memperhitungkan saat-saat ketika alat dimatikan atau ketika produk sedang dinyalakan tetapi tidak benar-benar melakukan pekerjaan. Hal ini dapat menurunkan tingkat paparan secara signifikan selama periode kerja total.

Identifikasi langkah-langkah keselamatan tambahan untuk melindungi operator dari efek getaran, seperti merawat peralatan dan aksesorinya, menjaga agar tangan tetap hangat, dan mengatur pola kerja.

⚠ PERINGATAN! Baca instruksi ini dengan seksama dan kenali fungsi kontrol dan penggunaan produk dengan benar. Tidak dipatuhinya semua petunjuk di bawah ini, dapat berakibat sengatan listrik, kebakaran, dan/atau cedera parah.

Simpan semua peringatan dan petunjuk sebagai referensi sewaktu-waktu.

⚠ PERINGATAN KESELAMATAN ALAT SEMPROT PUNGGUNG

Jangan menyemprot cairan yang mudah terbakar, seperti bensin, untuk mengurangi risiko kebakaran atau ledakan.

Selalu ikuti instruksi produsen bahan kimia yang tercetak pada label produk untuk penggunaan, pembersihan, dan penyimpanan. Bahan kimia harus disimpan jauh dari jangkauan anak-anak.

Jangan menyemprot bahan yang bahayanya tidak diketahui.

Untuk mengurangi paparan dari bahan yang disemprotkan, kenakan peralatan keselamatan yang dibenarkan, seperti masker wajah yang dirancang untuk penyemprotan, sarung tangan, dan peralatan pelindung lainnya yang sesuai.

Jangan gunakan pelarut yang mudah terbakar atau bahan pembersih abrasif untuk membersihkan alat.

Jauhkan bahan semprotan dari mata. Jika bahan semprotan terkena mata, segera cuci dengan air bersih. Jika iritasi berlanjut, segera cari bantuan medis.

PETUNJUK KESELAMATAN DAN KERJA TAMBAHAN

Waspadalah akan bahaya yang ditimbulkan oleh bahan semprotan. Sebelum menggunakan pestisida atau bahan semprotan lainnya dengan produk ini, baca label pada kemasan bahan dengan hati-hati, pelajari lembar data keselamatan terkini dari bahan tersebut, dan ikuti instruksinya. Jauhkan pengamat, anak-anak, dan hewan peliharaan dari area saat menyemprot.

Pastikan tongkat penyemprot tersambung dengan benar ke gagang tongkat penyemprot sebelum menggunakan alat. Jika perlu, gunakan tang untuk memasang tongkat penyemprot ke gagang tongkat penyemprot.

Selalu ingat untuk memasang kembali dan mengencangkan penutup tangki semprot dengan benar setelah menuangkan cairan ke dalam tangki.

Hanya gunakan bahan kimia kebun dan taman kelas konsumen dan berbahan dasar air. Jangan gunakan bahan kimia kelas komersial atau bahan kimia untuk tujuan komersial atau industri.

Jangan gunakan cairan kaustik (alkali) menimbulkan panas atau cairan korosif (asam) dengan produk ini. Cairan ini dapat merusak bagian logam atau melunakkan tangki dan selang.

Jangan meninggalkan sisa atau bahan semprot di dalam tangki semprot setelah menggunakan alat. Bersihkan alat setiap selesai digunakan.

Jangan menuangkan cairan panas atau mendidih ke dalam tangki semprot. Cairan panas dapat melunakkan atau merusak selang atau tangki semprot.

Jangan mengisi tangki sampai melimpah.

Selalu periksa akan adanya kebocoran, dan perbaiki kebocoran sebelum menggunakan produk.

Area penyemprotan harus berventilasi baik.

Selalu periksa bagian dalam dan luar produk sebelum digunakan.

Cairan yang disemprotkan harus cair seperti air. Cairan yang lebih kental tidak dapat disemprotkan dengan baik.

Bahan semprotan dapat dicampur terlebih dahulu dan dituangkan ke dalam tangki semprot menggunakan corong, jika perlu.

Jangan menyemprot di tempat yang terdapat percikan, nyala api, atau sumber penyalan lainnya. Jangan menyemprot ke arah orang atau binatang. Selalu menyemprot searah angin.

Jangan merokok, makan, atau minum saat menggunakan alat.

Jangan menyemprot langsung ke arah kulit.

Jangan biarkan bahan semprotan menyentuh kulit. Jika kontak terjadi, segera cuci dengan sabun dan air yang banyak.

Arahkan nozel langsung ke tanaman atau benda yang dimaksudkan untuk disemprotkan. Pastikan bahan semprotan diarahkan pada daerah yang tidak akan rusak oleh bahan semprotan.

Hindari penyemprotan pada hari berangin. Bahan semprotan bisa secara tidak sengaja tertipu ke tanaman atau benda yang tidak seharusnya disemprot.

Produk dapat dioperasikan dengan gagang tongkat penyemprot yang diletakkan di dalam penyangga, atau dapat dikeluarkan dari penyangga dan dipegang oleh operator.

Bahaya sengatan listrik. Jangan menyemprot ke arah stopkontak listrik.

Setelah setiap penggunaan, cucilah tangan Anda dan semua area kulit yang terkena semprotan dengan seksama.

Rawat produk. Selalu periksa bagian dalam dan luar produk dengan seksama, dan periksa komponen setiap akan digunakan. Periksa akan adanya selang yang retak atau aus, kebocoran, nozel yang tersumbat, dan bagian yang hilang atau rusak. Jika rusak, mintalah produk diperbaiki sebelum digunakan. Banyak kecelakaan disebabkan oleh peralatan listrik yang kurang terawat.

Keluarkan baterai dari produk sebelum mengeringkan, membersihkan, atau menyimpan untuk menghindari penyalan yang tidak disengaja.

Campur bahan kimia dengan benar-benar mematuhi instruksi produsen. Pencampuran yang salah dapat menghasilkan asap beracun atau larutan eksplosif.

Jangan pernah membiarkan anak-anak, orang dengan kemampuan fisik, indra atau mental yang kurang atau tidak berpengalaman dan berpengetahuan atau orang-orang yang tidak paham dengan petunjuk penggunaan menggunakan mesin ini, peraturan setempat dapat membatasi usia operator.

Lepaskan paket baterai sebelum memulai pekerjaan apa pun pada produk.

Jangan membuang unit baterai bekas dalam sampah rumah tangga atau membakarnya. Distributor MILWAUKEE menawarkan untuk mengambil baterai lama guna melindungi lingkungan kita.

Jangan menyimpan paket baterai bersama benda logam (risiko arus pendek).

Hanya gunakan pengisi daya System M18 untuk mengisi daya paket baterai System M18. Jangan menggunakan unit baterai dari sistem lain.

Asam baterai dapat merembes dari baterai yang rusak akibat beban atau suhu yang ekstrem. Jika asam baterai mengenai Anda, segera cuci dengan sabun dan air. Jika mengenai mata, bilas sebanyak-banyaknya selama setidaknya 10 menit dan segera dapatkan penanganan medis.

PERINGATAN KESELAMATAN BATERAI TAMBAHAN

⚠ PERINGATAN! Untuk mengurangi risiko kebakaran, cedera pribadi, dan kerusakan produk akibat hubungan arus pendek, jangan pernah merendam alat, baterai atau charger Anda dalam cairan atau membiarkan cairan mengalir di dalamnya. Cairan korosif atau konduktif, seperti air laut, bahan kimia industri tertentu, dan produk pemutih atau yang mengandung pemutih, dan sebagainya, dapat menyebabkan hubungan arus pendek.

KONDISI PENGGUNAAN KHUSUS

Alat semprot punggung dimaksudkan untuk penggunaan di luar ruangan, di area yang berventilasi baik.

M18 BPFP-WST

Penyemprot dirancang untuk menyemprotkan air, juga dapat digunakan untuk menyirami tanaman.

M18 BPFP-CST

Penyemprot dirancang untuk menyemprotkan bahan kimia rumah dan kebun kelas konsumen:

- Pestisida
- Herbisida selektif
- Herbisida takselektif
- Insektisida
- Fungisida
- Pupuk

Penyemprot harus digunakan hanya dengan produk perlindungan tanaman yang dibenarkan oleh otoritas pengawas produk perlindungan tanaman setempat atau nasional.

M18 BPFP-CCST

Penyemprot dirancang untuk menyemprotkan bahan kimia beton:

- Pelepas cetakan (form release)
- Bahan perawatan beton (curing compound)
- Sealant

Penyemprot harus digunakan hanya dengan bahan kimia yang dibenarkan oleh otoritas pengawas produk kimia setempat atau nasional.

⚠ Jangan gunakan penyemprot dengan cairan yang mudah terbakar.

Hanya gunakan zat yang dibenarkan untuk digunakan dengan penyemprot portabel.

Produk tidak boleh digunakan oleh anak-anak atau oleh orang-orang yang tidak memakai perlengkapan dan pakaian pelindung diri yang memadai.

Jangan menggunakan produk untuk tujuan lain.

BATERAI

Paket baterai yang belum digunakan selama beberapa waktu harus diisi kembali dayanya sebelum digunakan.

Suhu yang melebihi 50°C (122°F) akan mengurangi kinerja paket baterai. Hindari paparan berkepanjangan terhadap panas atau sinar matahari (risiko panas berlebihan).

Kontak pada pengisi daya dan paket baterai harus dijaga kebersihannya.

Untuk masa pemakaian optimal, paket baterai harus diisi

dayanya hingga penuh setelah digunakan.

Untuk memaksimalkan masa pemakaian baterai, lepaskan paket baterai dari pengisi daya setelah terisi sepenuhnya.

Untuk penyimpanan paket baterai lebih dari 30 hari:

- Simpan paket baterai jika suhu berada di bawah 27°C dan jauhkan dari kelembapan.
- Simpan paket baterai dalam kondisi terisi dayanya 30% - 50%.
- Jika penyimpanan paket baterai mencapai enam bulan, isi daya baterai seperti biasa.

PERLINDUNGAN KEMASAN BATERAI

Dalam kondisi torsi yang sangat tinggi, terikat, mogok, dan korsleting yang menyebabkan arus tinggi, alat akan bergetar selama sekitar 2 detik kemudian alat akan mati. Untuk menyetel ulang, lepaskan pemacu.

Temperatur yang terlalu tinggi akan menyebabkan baterai berhenti mengalirkan daya ke produk. Jika kemasan baterai terlalu hangat, biarkan baterai mendingin sebelum melanjutkan pengoperasian. Jika produk masih tidak berfungsi, isi ulang baterai.

MENGANGKUT BATERAI LITIUUM

Baterai litium-ion tunduk pada persyaratan Legisiasi Barang Berbahaya.

Pengangkutan baterai ini harus dilakukan sesuai regulasi dan peraturan daerah, nasional, dan internasional.

- Baterai dapat diangkut melalui jalan darat tanpa persyaratan khusus.
- Pengangkutan komersial baterai Litium-ion oleh pihak ketiga tunduk pada peraturan Barang Berbahaya. Persiapan pengangkutan dan pengangkutan harus dilakukan oleh orang yang terlatih dan prosesnya harus didampingi oleh pakar yang terkait.

Ketika mengangkut baterai:

- Pastikan bahwa terminal kontak baterai terlindungi dan terisolasi untuk mencegah korsleting.
- Pastikan bahwa unit baterai aman dari gerakan dalam pengemasan.
- Jangan mengangkut baterai yang retak atau bocor.

Tanyakan kepada perusahaan ekspedisi untuk mendapatkan saran lebih lanjut.

PENGANGKUTAN DAN PENYIMPANAN

- Lepaskan paket baterai.
- Pastikan semua bagian produk bersih dan kering.
- Bersihkan semua material asing dari produk.
- Kuras semua bahan penyemprot dari tangki semprot sebelum penyimpanan dan pengangkutan.
- Setelah setiap penggunaan, periksa semua bagian produk akan adanya kebocoran. Kembalikan produk ke pusat servis resmi untuk perbaikan jika perlu.
- Tongkat penyemprotan dapat disimpan dalam penyangga.
- Untuk pengangkutan, amankan produk dari pergerakan atau kejatuhan agar tidak menyebabkan cedera terhadap seseorang atau produk itu sendiri.
- Simpanlah di dalam tempat yang sejuk dan berventilasi baik yang tidak dapat dijangkau oleh anak-anak. Jauhkan

dari bahan-bahan korosif seperti bahan kimia untuk berkebutan dan garam peluruh es. Jangan simpan di luar ruangan.

RISIKO RESIDU

Bahkan ketika produk digunakan seperti yang ditentukan, masih tidak mungkin untuk sepenuhnya menghilangkan faktor risiko residual tertentu. Bahaya berikut mungkin timbul dalam penggunaan dan operator harus memberikan perhatian khusus untuk menghindari hal-hal berikut:

- sengatan listrik
 - Jangan pernah menyemprotkan cairan ke stopkontak, kabel, atau peralatan listrik.
- kontak dengan bahan berbahaya
 - Bahan semprotan dapat berbahaya jika terhirup, tertelan, atau terkena kulit atau mata. Ikuti instruksi dengan saksama dan kenakan peralatan pelindung yang sesuai sebagaimana ditentukan.

PENYELESAIAN MASALAH

Masalah	Kemungkinan penyebab	Solusi
Tekanan Rendah	Daya baterai tidak cukup	Isi daya baterai.
Tidak ada tekanan	Daya baterai tidak cukup	Isi daya baterai.
Bocor	Sambungan tidak terhubung dengan benar; gasket berpori	Kencangkan kembali elemen penghubung dan ganti elemen penyegel (sealing).
Motor tidak bekerja	Baterai kosong atau rusak.	Isi ulang atau ganti baterai.
Tidak ada semprotan	Nozel semprotan buntu.	Bersihkan produk dengan udara bertekanan atau pelarut yang sesuai.

NOZEL MAMPAT

1. Segera matikan penyemprot. Pastikan pintu baterai tertutup dengan baik.
2. Kenakan pakaian pelindung, seperti sarung tangan dan pelindung mata.
3. Bongkar nozel dan bersihkan dengan air bersih.
4. Ganti filter yang rusak.

MEMBERSIHKAN TANGKI

1. Pastikan pintu baterai tertutup dengan baik.
2. Lepaskan tangki dari alasnya dan letakkan di permukaan yang rata jauh dari alas tersebut untuk mencegahnya terpapar bahan kimia keras.
3. Lepaskan mangkuk tangki dan isi hingga sekitar sepertiga penuh dengan air bersih. Sejumlah kecil deterjen rumah tangga yang ringan dapat ditambahkan. Jika perlu, air hangat (maksimum 50°C) dapat digunakan. Pasang kembali tutupnya, kemudian basahi sekeliling tangki

dengan air secara lembut.

4. Pasang tangki, dan semprotkan air sampai tangki kosong. Pastikan untuk mengarahkan semprotan ke area yang tidak akan rusak oleh residu bahan kimia.
5. Ulangi prosedur ini dengan air bersih sampai tangki benar-benar bersih. Cuci bagian luar nozel, dan lap sampai kering dengan kain.
6. Cuci bagian luar tangki dengan kain yang bersih dan kering.
7. Biarkan semua bagian alat benar-benar kering sebelum memasang ulang komponen dan menyimpan alat. Selalu masukkan kembali saringan sebelum mengembalikan tutup tangki.

PEMELIHARAAN

Perbaikan membutuhkan kehati-hatian ekstra dan pengetahuan, dan harus dilakukan hanya oleh seorang teknisi yang memenuhi syarat Servis produk hanya pada pusat layanan resmi. Ketika memperbaiki, gunakan hanya suku cadang asli.

Hanya lakukan penyesuaian atau perbaikan seperti dijelaskan dalam manual ini. Untuk perbaikan lain, hubungi agen layanan resmi.

Bersihkan alat setiap selesai digunakan.

Kuras dan kosongkan tangki semprot sebelum membersihkan.

Buang bahan semprot melalui area pengisian.

Tuang semua bahan semprot dari tangki semprot ke wadah bahan kimia yang dibenarkan. Jangan menyimpan bahan kimia di dalam tangki semprot.

Gunakan air bersih untuk membersihkan dan membilas tangki semprot. Sejumlah kecil deterjen rumah tangga yang ringan dapat ditambahkan.

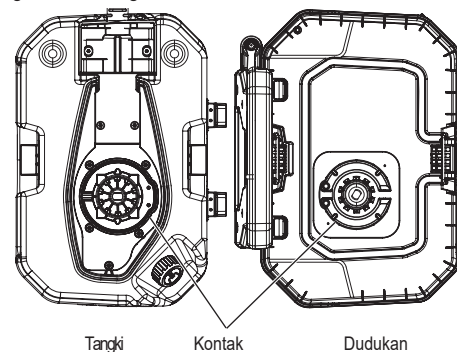
Bersihkan alat dengan kain yang bersih dan kering.

Tangki semprot mungkin perlu dibilas lebih dari satu kali.

Membersihkan kontak listrik

Jaga bagian kontak listrik antara bagian bawah tangki dan alas tetap bersih.

PERINGATAN! Keluarkan baterai dari produk sebelum membersihkan kontak listrik. Bersihkan kontak listrik hanya dengan kain kering dan bersih.



Pembuangan

Jangan sekali-kali membuang sisa bahan kimia atau larutan pembilas yang terkontaminasi ke saluran air, pembuangan air, got, selokan jalan, atau lubang got.

Buang sisa bahan kimia dan wadah bekas sesuai dengan peraturan pembuangan limbah setempat.

AKSESORI

Gunakan hanya aksesoris dan suku cadang MILWAUKEE. Jika komponen yang belum dijelaskan harus diganti, hubungi salah satu dari pusat layanan MILWAUKEE kami (lihat daftar alamat layanan/garansi kami).

Jika diperlukan, gambar pecahan komponen dapat dipesan. Sebutkan tipe produk dan nomor seri yang tertera pada label dan pesanlah gambarnya pada agen layanan setempat.

SIMBOL



PERHATIAN! PERINGATAN! BAHAYA!



Baca petunjuk dengan cermat sebelum memulai menggunakan produk.



Lepaskan paket baterai sebelum memulai pekerjaan apa pun pada produk.



Jangan membuang alat-alat listrik, baterai/ baterai isi ulang bersama-sama dengan sampah rumah tangga. Peralatan listrik dan baterai yang telah mencapai akhir masa pakainya harus dikumpulkan secara terpisah dan dikembalikan ke fasilitas daur ulang yang kompatibel terhadap lingkungan. Tanyakan kepada pihak berwenang atau peritel setempat mengenai daur ulang dan titik pengumpulan.



Selalu gunakan pelindung mata



Pakai pelindung telinga.



Gunakan masker pelindung yang sesuai.



Gunakan pakaian pelindung.



Pakai sarung tangan.



Kenakan sepatu antiselip yang kokoh.



Jangan biarkan baterai terkena hujan. Jangan gunakan baterai di tempat yang lembap atau basah.



Jangan menyemprotkan cairan yang mudah terbakar.



Perlindungan listrik Kelas III



Lepaskan paket baterai. Jaga kontak listrik tetap bersih.



Jaga jarak aman bagi orang sekitar area kerja.



Jangan menyemprot orang atau binatang.



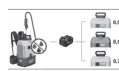
Jangan menyemprot ke dinding.



Jangan menyemprot melawan arah angin.



Jangan arahkan nozel ke atas. Semprotkan hanya ke arah bawah.



Berat kosong (termasuk unit basis, tangki, dan baterai)

V

Volt



Arus Searah







