



M18 BPFPH

SERVICE PARTS DIAGRAM

TTI Model Number: 016 106 008

M18™ SWITCH TANK™ POWERED BASE

Bulletin Date:

Apr-20

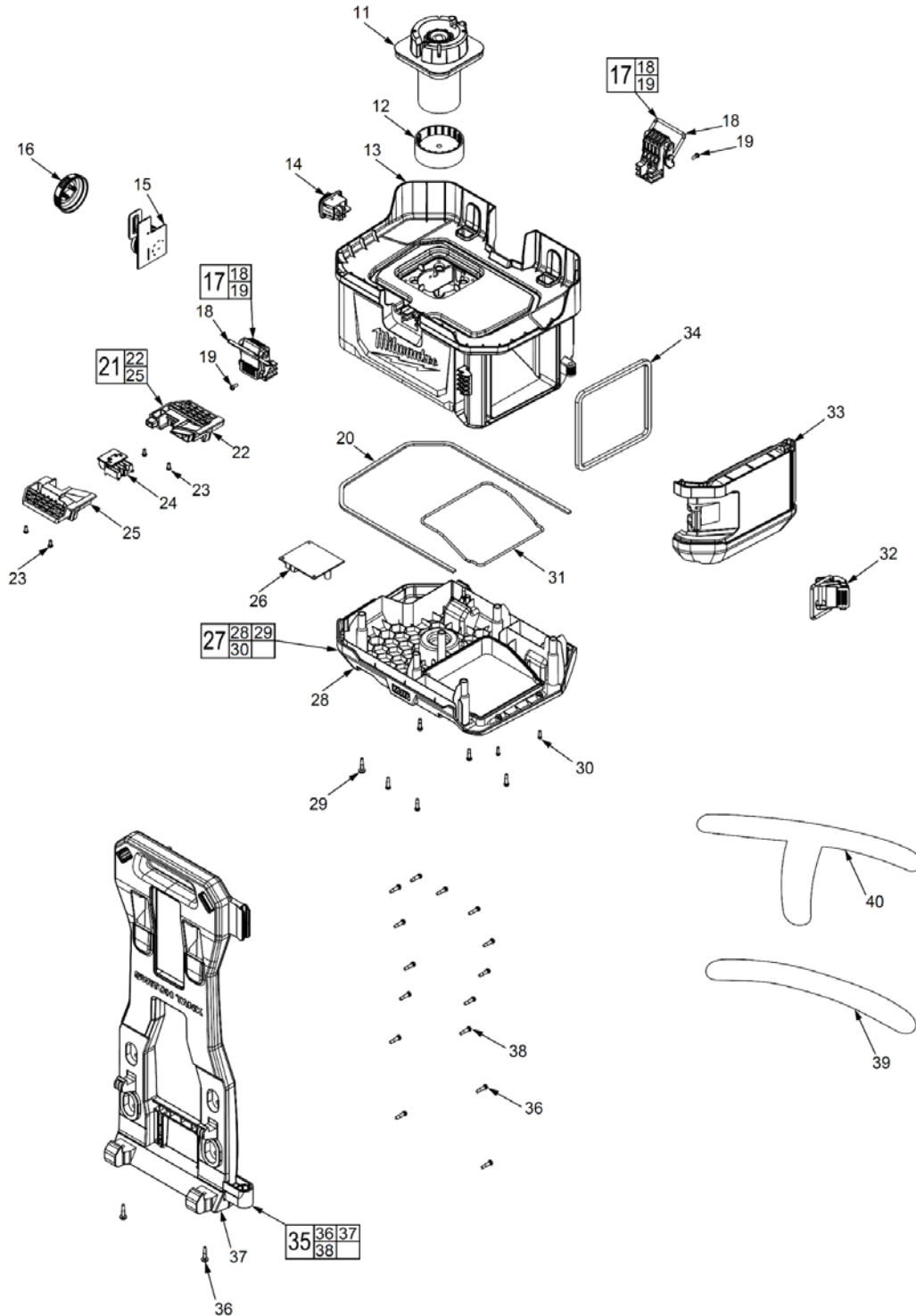
Starting Serial Number:

VERSION A -

00
0

EXAMPLE:

Component Parts (Small #) Are Included
When Ordering The Assembly (Large #).





M18 BPFPH

SERVICE PARTS LIST

TTI Model Number: 016 106 008

M18™ SWITCH TANK™ POWERED BASE

Bulletin Date:

Apr-20

Starting Serial Number:

VERSION A -

ITEM	PART NUMBER	PART DESCRIPTION	QTY (PCS)
11	016106002014	MOTOR WITH WIRE ASSEMBLY	1
12	016106001012	MOTOR PAD	1
13	016106001013	MAIN HOUSING ASSEMBLY	1
14	016106001014	SWITCH ASSEMBLY	1
15	016106001015	SPEED REGULATOR WITH SPEED KNOB	1
16	016106001016	SPEED KNOB CAP WITH O-RING	1
17	016106001017	MAIN HOUSING LATCH ASSEMBLY (SET OF 1)	2
18	-	MAIN HOUSING LATCH	2
19	-	M4 X 16 SCREW	2
20	016106001018	BOTTOM HOUSING SEAL	1
21	016106001019	TERMINAL BLOCK COVER KIT	1
22	-	RIGHT TERMINAL BLOCK COVER	1
23	016106001020	M4 X 12 SCREW	4
24	016106001021	TERMINAL BLOCK ASSEMBLY	1
25	-	LEFT TERMINAL BLOCK COVER	1
26	016106001022	ELECTRONICS ASSEMBLY	1
27	016106001023	BOTTOM HOUSING KIT	1
28	-	BOTTOM HOUSING	1
29	-	M4 X 16 SCREW	6
30	-	M2.9 X 8 SCREW	2
31	016106001024	BATTERY COMPARTMENT SEAL	1
32	016106001025	BATTERY DOOR LATCH ASSEMBLY	1
33	016106001026	BATTERY DOOR ASSEMBLY	1
34	016106001027	BATTERY DOOR SEAL	1
35	016106001028	BACKPACK FRAME ASSEMBLY	1
36	-	M4.8 X 20 SCREW	6
37	-	BACKPACK FRAME	1
38	-	M4 X 12 SCREW	11
39	016106001029	BACKPACK LOWER STRAP	1
40	016106001030	BACKPACK SHOULDER STRAP	1
41	01610600801K	BASE RATING LABEL (NOT SHOWN)	1
42	01610600202K	BASE WARNING LABEL (NOT SHOWN)	1