



M18 BFPF-CST

SERVICE PARTS DIAGRAM

TTI Model Number: 016 106 010

M18™ SWITCH TANK™ 15L CHEMICAL SPRAYER TANK

Bulletin Date:

Jul-20

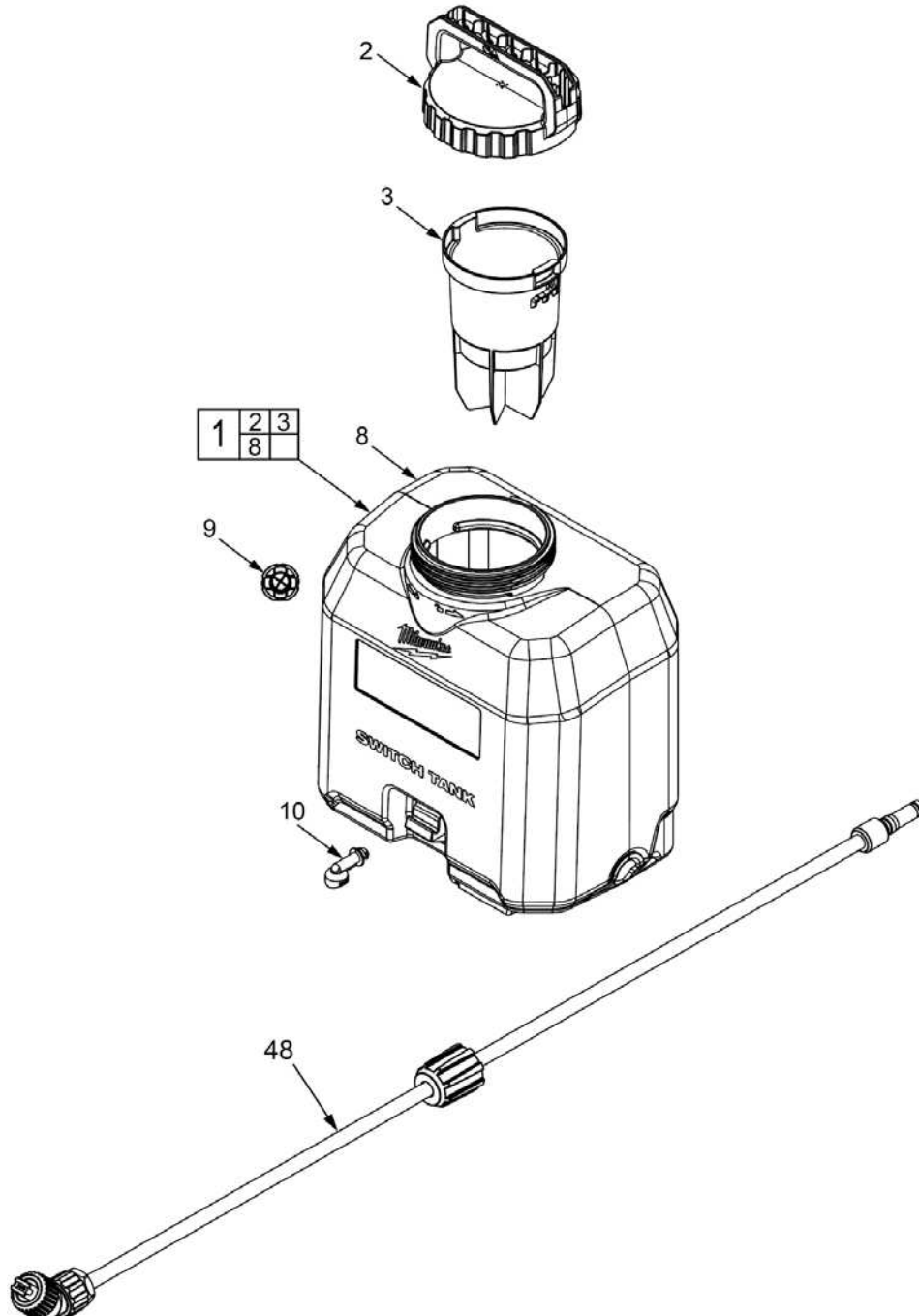
Starting Serial Number:

VERSION A -

00	0
----	---

EXAMPLE:

Component Parts (Small #) Are Included When Ordering The Assembly (Large #).





M18 BFP-CST

SERVICE PARTS LIST

TTI Model Number: 016 106 010

M18™ SWITCH TANK™ 15L CHEMICAL SPRAYER TANK

Bulletin Date:

Jul-20

Starting Serial Number:

VERSION A -

ITEM	PART NUMBER	PART DESCRIPTION	QTY (PCS)
1	016106008004	SPRAYER TANK ASSEMBLY (FOR CHEMICAL TANK)	1
2	016106001004	SPRAYER TANK LID ASSEMBLY (GREEN)	1
3	016106001007	STRAINER ASSEMBLY	1
8	-	TANK	1
9	016106001010	DRAIN CAP ASSEMBLY	1
10	016106001036	PUMP INLET FILTER ASSEMBLY	1
48	016106008005	LONG CONCRETE WAND	1
49	01610601001K	CHEMICAL TANK RATING LABEL (NOT SHOWN)	1
50	01610602202K	TANK WARNING LABEL (NOT SHOWN)	1
51	01610602205K	CHEMICAL TANK FRONT LABEL (NOT SHOWN)	1