



# M12 SLED

SERVICE PARTS DIAGRAM

TTI Model Number: 016 053 004

M12™ LED SPOT LIGHT

Bulletin Date:

**Apr-20**

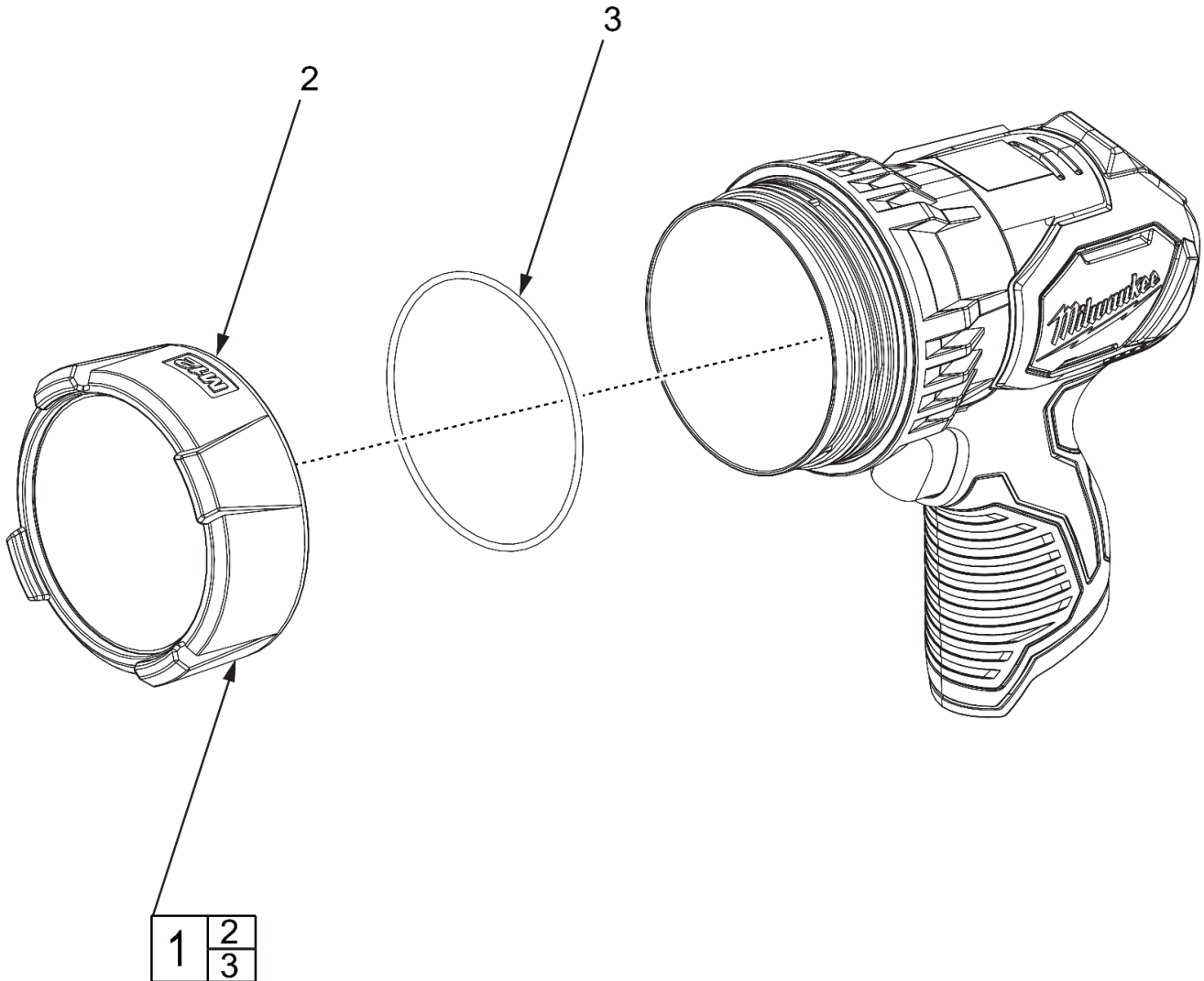
Starting Serial Number:

VERSION A - F2016

00 | 0

**EXAMPLE:**

Component Parts (Small #) Are Included  
When Ordering The Assembly (Large #).



**NOTES**

A clean, dry surface is essential for proper performance for any adhesive system. The area intended for application of any adhesive label or nameplate must be prepared by cleaning with isopropyl alcohol. The solvent is to be applied with a clean, lint free applicator and the surface allowed to dry before applying the label or nameplate.



# M12 SLED

SERVICE PARTS LIST

TTI Model Number: 016 053 004

M12™ LED SPOT LIGHT

Bulletin Date:

**Apr-20**

Starting Serial Number:

VERSION A - F2016

ITEM	PART NUMBER	PART DESCRIPTION	QTY (PCS)
1	016053001003	LENS ASSEMBLY	1
2	-	LENS W/ OVERMOLD	1
3	-	O-RING	1
4	01605300401K	RATING LABEL (NOT SHOWN)	1
5	016053001002	LANYARD (STRAP) (NOT SHOWN)	1
6	631542003	HOUSING CLIP (NOT SHOWN)	1