



# M12 FDGA

SERVICE PARTS DIAGRAM

TTI Model Number: 018 394 009, 012

## M12 FUEL™ RIGHT ANGLE DIE GRINDER

Bulletin Date:

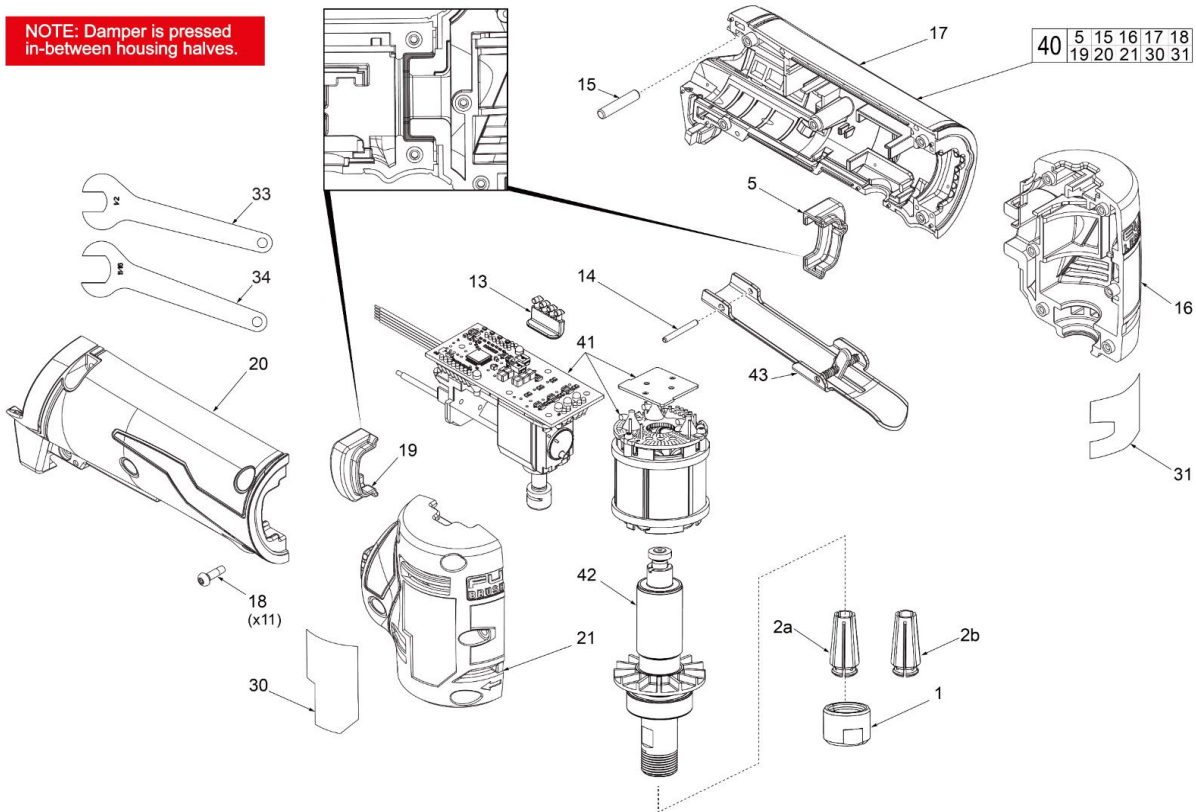
**Jan-21**

Starting Serial Number:

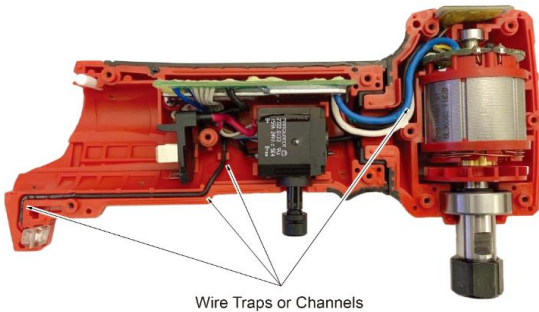
**VERSION A - C2020**

**EXAMPLE:**  
Component Parts (Small #)  
Are Included When Ordering  
The Assembly (Large #).

**NOTE:** Damper is pressed  
in-between housing halves.



Install the electronics assembly, route wires through wire traps and channels as shown. Be sure all components are seated squarely and firmly in place. Be sure there is no interference when installing the housing covers (20, 21).



### SCREW TORQUE SPECIFICATIONS

FIG.	PART NO.	WHERE USED	SEAT TORQUE	
			(KG/CM)	( Nm )
18	660230016	Housing Cover Head	7-9	0.68-0.88
18	660230016	Housing Cover Grip	7-9	0.68-0.88





# M12 FDGA

SERVICE PARTS LIST

TTI Model Number: 018 394 009, 012

**M12 FUEL™ RIGHT ANGLE DIE GRINDER**

**Bulletin Date:**

**Jan-21**

**Starting Serial Number:**

**VERSION A - C2020**

ITEM	PART NUMBER	PART DESCRIPTION	QTY (PCS)
1	695711001	8 MM COLLET NUT	1
2a	698074001	8 MM COLLET	1
2b	698073001	6 MM COLLET	1
5	565264001	DAMPER FOR SUPPORT	1
13	537799001	LIGHT PIPE	1
14	673021004	RIVET PIN FOR HOUSING	1
15	565266001	ROD	1
16	-	HOUSING SUPPORT HEAD	1
17	-	HOUSING SUPPORT GRIP	1
18	660230016	HOUSING SCREW	11
19	565265001	DAMPER FOR COVER	1
20	-	HOUSING COVER GRIP	1
21	-	HOUSING COVER HEAD	1
30	941050124	RATING LABEL <b>018394009 ASIA VERSION</b>	1
30	941050583	RATING LABEL <b>018394012 ONLY JP VERSION</b>	1
31	941050125	WARNING LABEL <b>018394009 ASIA VERSION</b>	1
31	941300245	WARNING LABEL <b>018394012 ONLY JP VERSION</b>	1
33	637607001	OPEN END WRENCH(15MM)	1
34	637606001	OPEN END WRENCH(17MM)	1
35	903210012	CONTACTOR BAG	1
40	204394012	HOUSING KIT <b>018394009 ASIA VERSION</b>	1
40	204394014	HOUSING KIT <b>018394012 ONLY JP VERSION</b>	1
41	208394003	ELECTRONICS ASSEMBLY	1
42	208394004	<b>ROTOR ASSEMBLY</b> <b>018394009 ASIA VERSION</b>	<b>1</b>
42	208394005	ROTOR ASSEMBLY <b>018394012 ONLY JP VERSION</b>	1
43	315595001	PADDLE TRIGGER ASSEMBLY	1