



# M12 FDDXKIT

SERVICE PARTS DIAGRAM

TTI Model Number: 018 365 009

M12 FUEL™ INSTALLATION DRILL / DRIVER

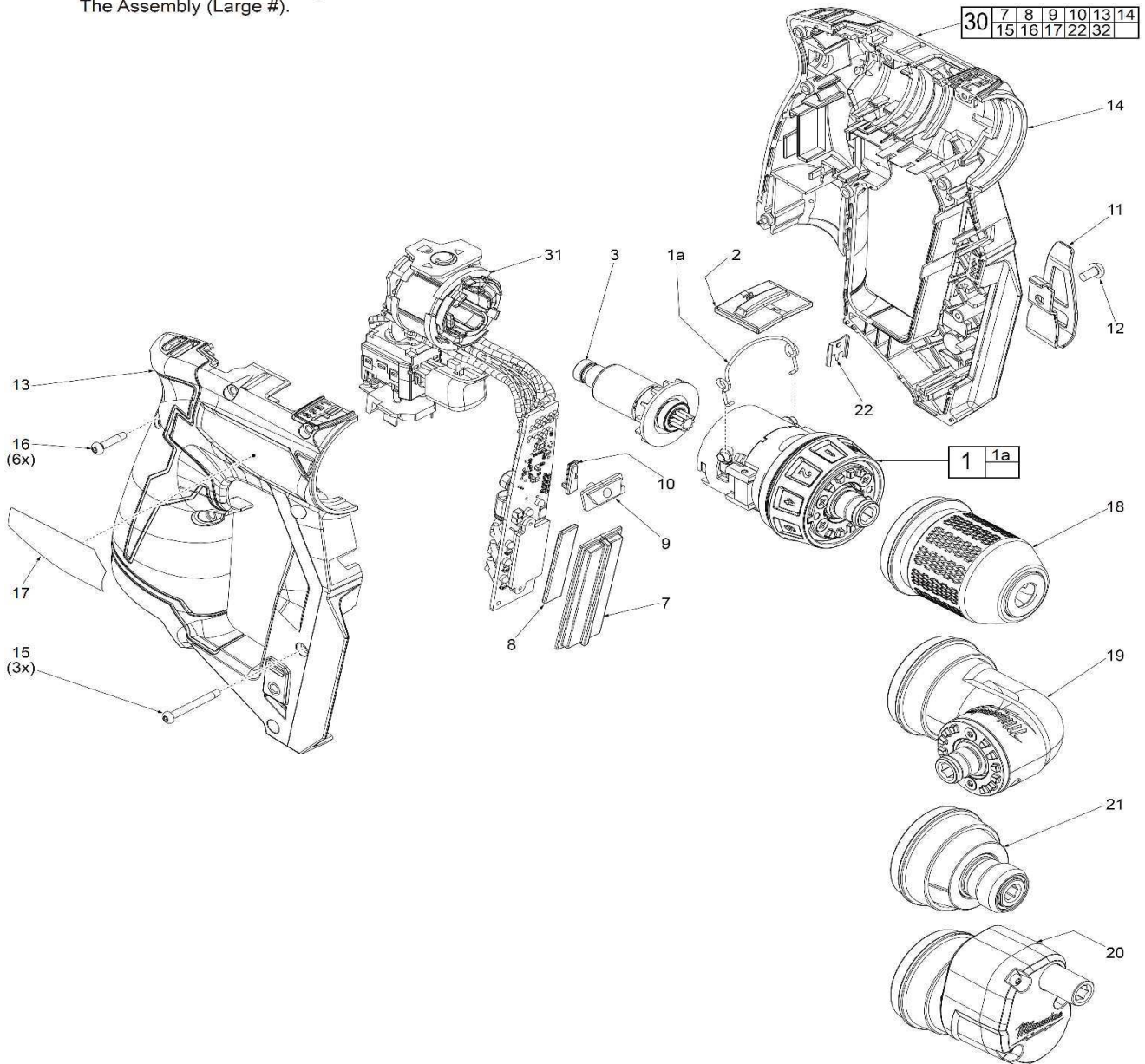
Bulletin Date:

Mar-20

Starting Serial Number:

VERSION A -

**EXAMPLE:**  
 Component Parts (Small #)  
 Are Included When Ordering  
 The Assembly (Large #).



SCREW TORQUE SPECIFICATION CHART			
FIG.	PART NO.	DESCRIPTION	SEATING TORQUE ( Nm )
12	661082003	8-32 x 7mm Pan Hd. T-15 Machine Screw	0.56-0.79
15	660951001	M3 x 26.5mm Pan Hd. ST T-10 Screw	0.68-0.90
16	660570005	M3 x 14mm Pan Hd. ST T-10 Screw	0.56-0.79





# M12 FDDXKIT

SERVICE PARTS LIST

TTI Model Number: 018 365 009

**M12 FUEL™ INSTALLATION DRILL / DRIVER**

**Bulletin Date:**

**Mar-20**

**Starting Serial Number:**

**VERSION A -**

ITEM	PART NUMBER	PART DISCRIPTION	QTY (PCS)
1	208365017	GEAR BOX WITH CLUTCH ASSEMBLY	1
1a	697595001	CHANGE LEVER	1
2	360589001	SPEED SELECTOR SLIDE KIT	1
3	208365018	ROTOR ASSEMBLY	1
7	-	MAGNET BIT HOLDER	1
8	-	MAGNET	1
9	537322001	LED LENS	1
10	537298001	LIGHT PIPE	1
11	635042001	BELT CLIP	1
12	661082003	PAN HD M SCREW	1
13	-	HOUSING COVER-RIGHT	1
14	-	HOUSING SUPPORT-LEFT	1
15	660951001	M3X26.5 MM PAN HD T10 SCREW	3
16	660570005	M3X14MM PAN HD T10 SCREW	6
17	941049978	RATING LABEL	1
18	208365019	REMOVABLE KEXLESS CHUCK	1
19	208365020	REMOVEABLE RIGHT ANGLE DRIVE	1
20	208365021	REMOVABLE OFFSET ATTACHMENT	1
21	208365022	REMOVABLE HEX ATTACHMENT	1
22	631542003	HOUSING CLIP	1
23	301696007	FUEL DYNACASE WITH 2 SIDE PLASTIC FUEL	1
30	204365008	HOUSING ASSEMBLY	1
31	208365024	ELECTRONICS ASSEMBLY	1
32	941300180	WARNING LABEL (NOT SHOWN)	1



# M12 FDDXKIT

SERVICE INSTRUCTION

TTI Model Number: 018 365 009

## M12 FUEL™ INSTALLATION DRILL / DRIVER

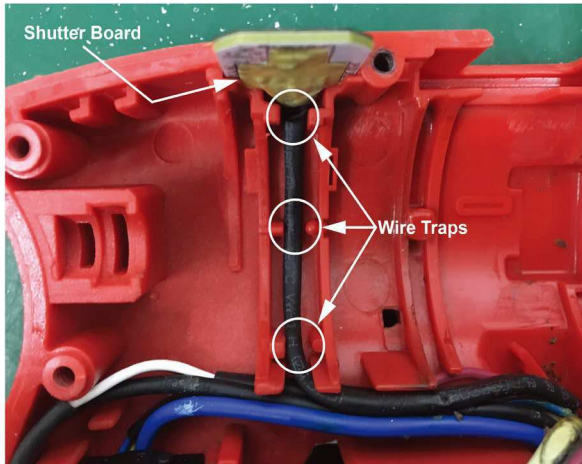
Bulletin Date:

Mar-20

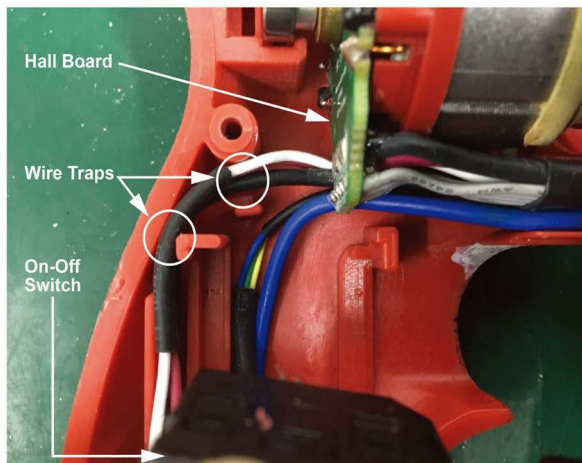
Starting Serial Number:

VERSION A -

### WIRING INSTRUCTIONS



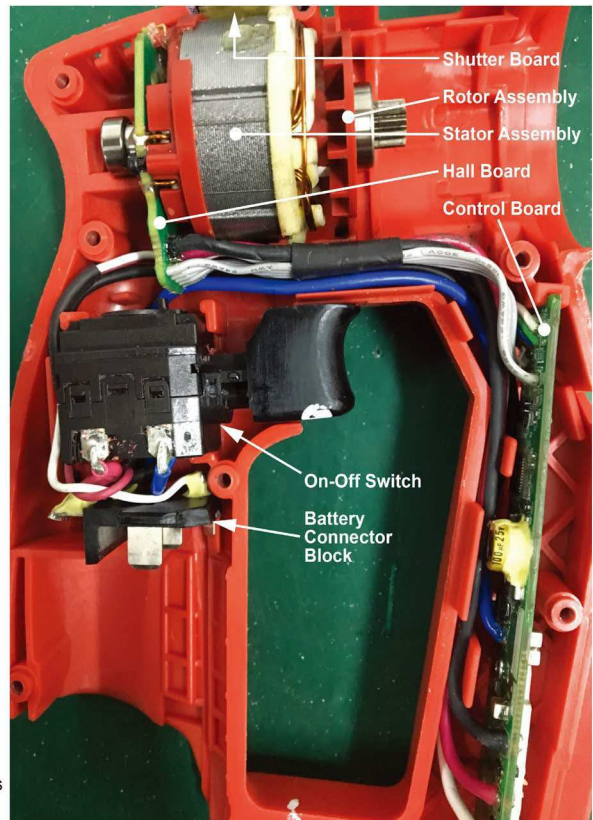
Tuck Shutter Board squarely and firmly in slotted recess of housing support. Push wires completely down in wire traps.



Push black and white wires completely down in wire traps. Route blue and yellow wires behind on-off switch.



Route all control board wires through wire traps/channel as shown. Be sure to push wires completely down in traps. Be sure control board is seated squarely and firmly in support housing.



Be sure all elements of the electronics assembly are firmly seated in the support housing. Be sure all wires are pushed completely down in wire traps and channels. Make sure there is no interference prior to installing the housing cover.